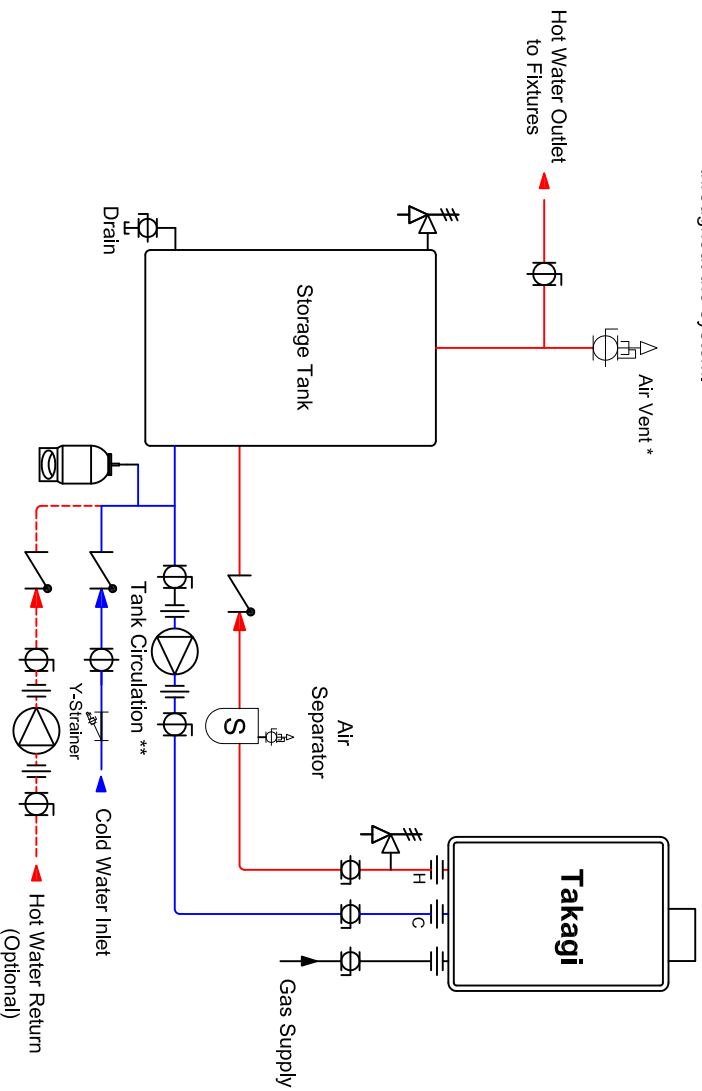


This drawing is a concept diagram and is intended to be used ONLY as a basic guide. Applications must be designed by a professional application engineer or designer. Local and State Codes also dictate correct installation. There are many factors that change from application to application and every individual application will differ in some way. Each application component must be sized correctly by a professional.

* The air vent is to be installed at the highest location of the system. The diameter of the pipe leading up the air vent is to be no smaller than the piping throughout the system.



- ** 1. The tank circulation pump is to be controlled by:
 - Dual-set aquastat (recommended w/ timer)
 - OR
 - Takagi Pump Control set to "Storage Tank Mode" (if the Takagi model or controller has this function)
2. The tank circulation pump is to provide no less than 2 gpm through each activated Takagi unit in the system. (Exception: no less than 4 gpm through each T-M50 model)

Title:

Storage Tank Application (3 tappings)

Date:

08/19/2009

Drawing No. 001-008-PS3-4

Legend

Pump	Shut Off/ Isolation Valve	Union	Air Separator
Expansion Tank	Check Valve	Pressure Relief Valve	Air Vent