

Series D5 Brass DC Electronically Commutated Spherical Motor Centrifugal Pumps



Applications

Specifically designed for the following uses:

- Hot Water Circulation
- Radiant Floor Heating
- Liquid Transfer
- Solar Applications
- General Purpose Pumping

Specifications

Pump

- Max Capacities: 7 GPM
- Max Head: 14.5'
- Pipe Connections:
1/2" FPT and 1/2" Sweat Suction and Discharge
1/2" Union Connection
- Maximum Working Pressure: 150 PSI
- Maximum Temperature: 230° F
- Rotation: counter clockwise when viewed from the motor end

Motor

- Electronically Commutated DC Spherical Motor
- Canned Spherical Type Motor
- 8-25 Volt DC
- Automatic Overload Protection
- Low In-Rush Current

Features

Compact Design

Close coupled, space saving design provides easy installation

Mounting

Pump can be mounted horizontally or vertically with motor end down.

Construction

Wetted parts are brass, 316SS, thermoplastic, carbon and ceramic for superior corrosion resistance.

Ceramic Bearing Ball and Carbon Bearing Cap

High density ceramic bearing ball and graphite impeller bearing cap designed for high efficiency and long life.

Impeller

Highly efficient and dynamically balanced with carbon bearing for smooth ultra quiet operation.

Casing

Casing is Brass Volute type construction.

Mechanical Seal

Unique patented design has no mechanical seal which is a potential leak path.

Motor

High efficient EC spherical motor design, ultra quiet, ultra efficient. Pump is designed for continuous operation. All ratings are within working limits of the motor.

Electronics

Embedded microprocessor control is self regulating and available with variable speed with PWM input or dial control (potentiometer) on the pump.

Noise level

Whisper quiet, less than 40 db.

Weight

Lightweight construction weighs less than 2lbs.

Series D5 Brass DC Electronically Commutated Spherical Motor Centrifugal Pumps



BS Housing



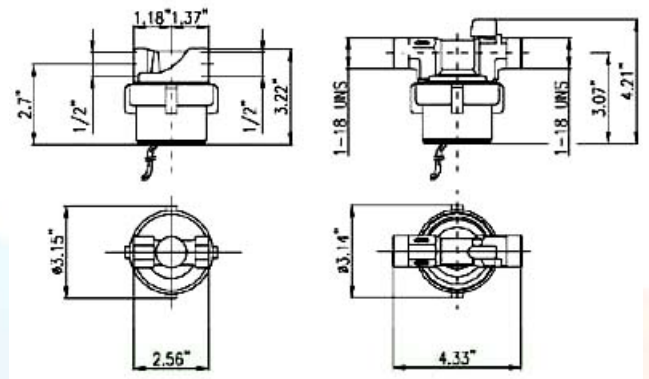
BT Housing



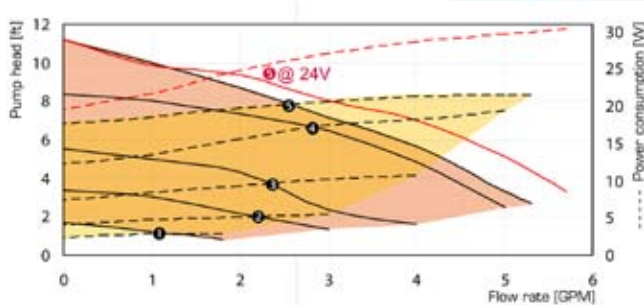
UCT Housing

Materials of Construction (Wetted Parts)

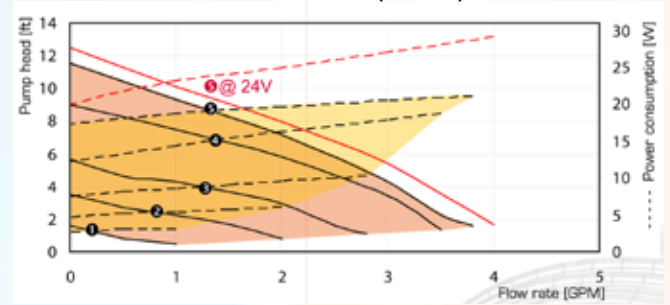
Part	Materials
Pump Housing	Brass
“O” Ring	EPDM or Viton
Impeller	Nylon/PPO
Bearing	Carbon/Allumina Ceramic
All Other Wetted Parts	316 Stainless Steel or Plastic



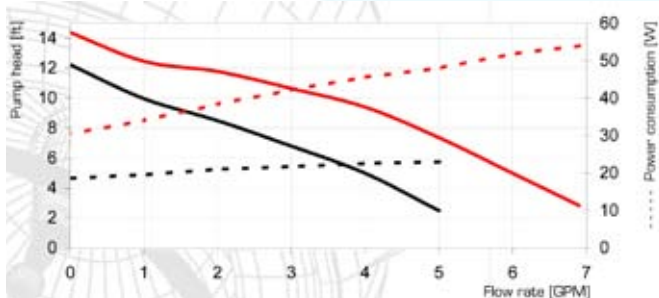
BS and BT Curve (Vario)



UCT Curve (Vario)



BS and BT Curve (Strong)



UCT Curve (Strong)

