

SIDE RACK MOUNT HARDWARE

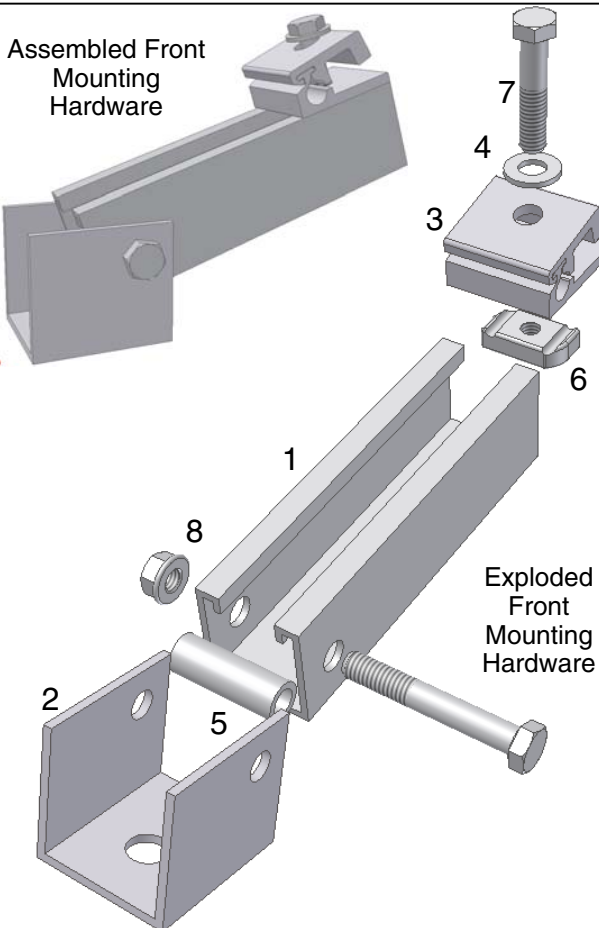
Kit, Per Collector: Each Kit includes the hardware listed below plus two 42.5" legs packaged separately. Materials are aluminum channel and extrusions with stainless steel hardware, bolts, nuts and washers.

Side Mount Rack Hardware Kit Per Gobi

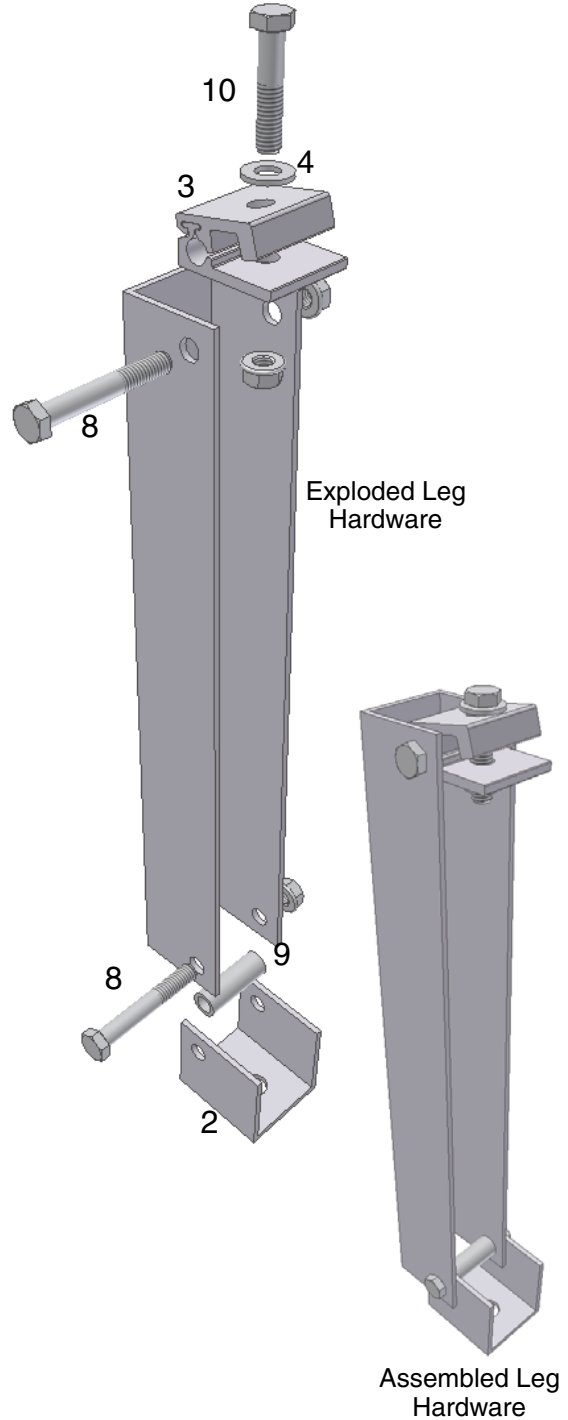
P/N	Front Shoe Mounting Hardware:
1	2 6" U-Rail Pieces
2	2 Single Shoes
3	2 Helio-Clips
4	2 Flat Washers
5	2 1.4" Aluminum Spacers
6	2 Helio-Nuts
7	2 SS 1-3/4" Bolts
8	2 SS 2-1/2" Bolts with Serrated Flange Nuts
P/N	Rear Leg Mounting Hardware:
2	2 Single Shoes
3	2 Helio-Clips
4	2 Flat Washers
8	4 SS 2-1/2" Bolts with Serrated Flange Nuts
9	2 1.6" Aluminum Spacers
10	2 SS 1-3/4" Bolts with Serrated Flange Nuts

NOTE: Two 42.5" legs are packaged separately

FRONT SHOE MOUNTING HARDWARE



REAR LEG MOUNTING HARDWARE



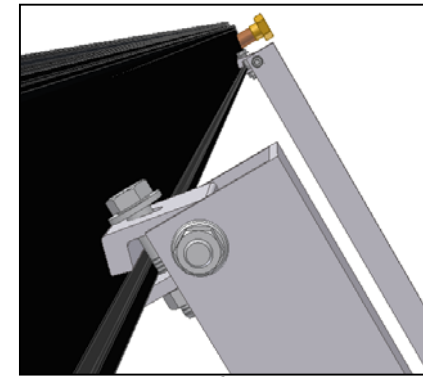
FRONT ELEVATED SIDE RACK MOUNT HARDWARE AND TILTS

SIDE WAYS GOBI COLLECTOR TILT MOUNTING

Gobi Collector
Sidemounted



Tilt Angle A	Leg Length L	Footprint B to B (inches)	
		Gobi 408/410	Gobi 3366
25°	42.5"	79	76
30°		73	72
35°		67	66
40°		60	60
45°		51	54
50°		39	46
55°	-	-	36
15°	27.5"	69	66
20°		64	62
25°		57	56
30°		-	47
55°	57.5"	63	64
60°		56	59



Detail of Rear Leg
attachment to Gobi



HELIODYNE, INC.

4910 Seaport Ave., Richmond, CA 94804
(510) 237-9614 / www.heliodyne.com