

SUBMITTAL DATA

JOB/CUSTOMER:

SUBMITTED BY:

ENGINEER:

APPROVED BY:

CONTRACTOR:

ORDER NO:

SPECIFICATION REF:



NOMENCLATURE

W	Wireless
R	Remote
T	Transmitter
KIT	(1 Receiver & 1 Transmitter)

DESCRIPTION

With the WRT-KIT, the user activates the pump by pushing the transmitter before using hot water. The transmitter sends a signal back to the receiver, which is connected to the pump, which sends the ambient water in the pipes via the cold water line, back to the water heater, rapidly pulling the hot water from the water heater to the furthest fixture.

TECHNICAL DATA

OPERATING RANGE 80 feet

FREQUENCY 433 MHZ

WIRING 5 volt power supply

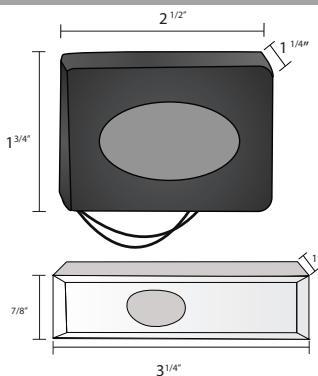
APPLICATIONS

This is compatible with any ACT D'MAND Kontrols® wireless transmitter kit from 1994 to Present. (RT-954-RT-911)

There is no limit on the number of WT transmitters you can use with the wireless receiver.

The WT WILL NOT OPERATE in conjunction with Models: WMSCB-KIT, WMSCB, WMSRB-KIT, WMSRB, HWMSRB

DIMENSIONS



WARRANTY

Accessories: Hard-Wired Buttons, Wireless Transmitters and Receivers, all Hard-Wired or Wireless Motion Sensors and Receivers: Warranty – (One Year from date of purchase) Labor is not included with Limited Warranty. In order to obtain services under this warranty, it is the responsibility of the purchaser to promptly notify the Company in writing and promptly deliver the item in question, delivery prepaid to the factory. The address for notification and delivery is ACT, Inc. D'MAND KONTROL® Systems, 3176 Pullman Street, Suite 119, Costa Mesa CA 92626. If the product or part in question contains no defects as covered in the warranty, the purchaser will be notified and billed for parts and labor charges in effect at the time of factory examination and repair.