

# SLC420

## Compact 4-5nm+ Solar Marine Lantern

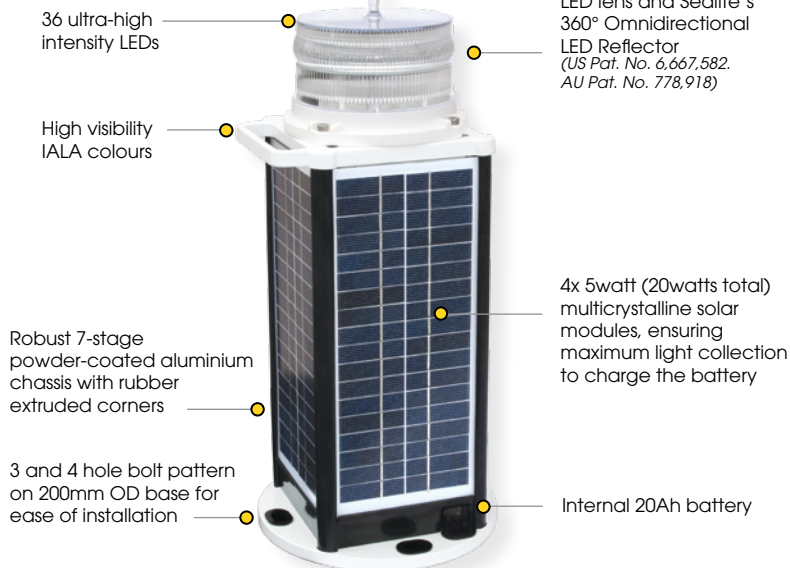
This equipment complies with requirements of the U.S. Coast Guard in 33 CFR part 66

**New Design**

Now with 3 & 4 hole bolt pattern, & PC interface



Available with GPS sync, RF comm-sync, radio control or GSM control



The SLC420 is a robust, completely self-contained 4-5nm+ Solar LED Marine Lantern which incorporates a 36 LED light source for even greater light intensity. The 3 & 4 hole bolt pattern base fits directly onto existing 200mm OD industry standard mounts for ease of installation.

The chassis of the SLC420 is made from cast aluminium, subject to 7-stage powder-coating in high visibility IALA colours for daytime recognition, with UV-stabilised rubber corners and gaskets providing a superior IP68 waterproof rating - the best in the industry.

Four (4) premium-grade solar modules are integrated into the assembly, and mounted to collect sunlight at all angles.

The unit is capable of producing any of 256 IALA recommended flash characters - field-adjustable without the need for ancillary equipment.

The tough polycarbonate lens is specifically designed for use with LEDs, and incorporates an environment-friendly spike - deterring unwelcome bird life. The lens design also ensures that vessel operators clearly see the light from above, when passing the AtoN.

### Optional PC Interface (SLC420-PC)

Sealite's new PC interface allows a host of features to be loaded onto the lantern, including automatic effective intensity calculations, adjustable on/off LUX levels and custom flash codes. Users can choose between Schmidt-Clausen, Allard, Blondel-Rey-Douglas, and Allard-Ohno-Couzin (100 pulse) effective intensity settings.

### Optional Flash Synchronisation via RF Comm Sync (SLC420-CS) or GPS (SLC420-GPS)

The SLC420 may be fitted with optional comm sync RF module for short range flash synchronisation (SLC420-CS). For flash synchronisation of lanterns installed over longer ranges, a GPS module may be fitted (SLC420-GPS).

When lanterns flash in synchronisation they can be clearly distinguished from other nav aids and confusing background lighting - ideal for rivers, marina entrances, channel marking and aquaculture.

### Optional GSM Remote Monitoring & Control (SLC420-GSM)

The SLC420 may also be fitted with GSM remote monitoring and control capabilities - enabling users to access real-time diagnostics data and change lantern settings via cell-phone or PC interface.

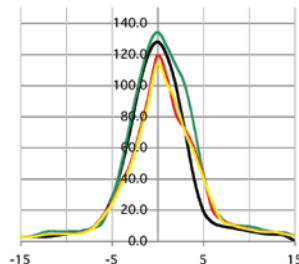
### Optional Remote Radio Control (SLC420-RC)

Radio control may be fitted to the SLC420 model enabling users to remotely modify the setup of their lantern via handheld radio controller (SL-RC-2.4).

## The Sealite Advantage

- **Simplicity of design ensures ease of maintenance in the field**
- **Heavy-duty aluminium construction**
- **All components user-replaceable in the unlikely event of damage**
- **200mm OD base pattern for immediate installation on existing structures**
- **User-replaceable battery**
- **256 IALA flash patterns**
- **Tempered glass solar modules for peak efficiency**
- **Vertical light emissions to maintain visibility when passing adjacent to light**
- **IP68 waterproof**
- **Full 3 year warranty**

### SLC420 Vertical Divergence



### Candela (cd)

SLC420	
R	119
G	134
W	128
Y	114



**Head Office:**  
Sealite Pty Ltd  
AUSTRALIA

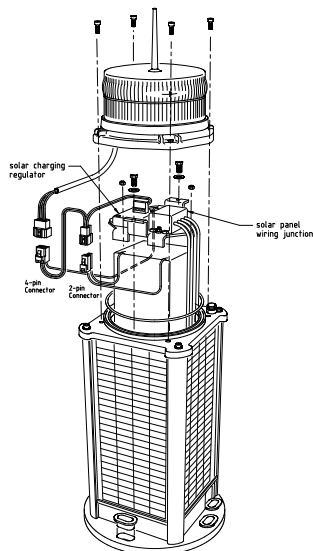
Ph. +61 (0)3 5977 6128  
Fax. +61 (0)3 5977 6124  
Internet: [www.sealite.com.au](http://www.sealite.com.au)  
Email: [info@sealite.com.au](mailto:info@sealite.com.au)

Sealite USA  
USA (Gilford, NH)  
Ph. (603) 524-6066

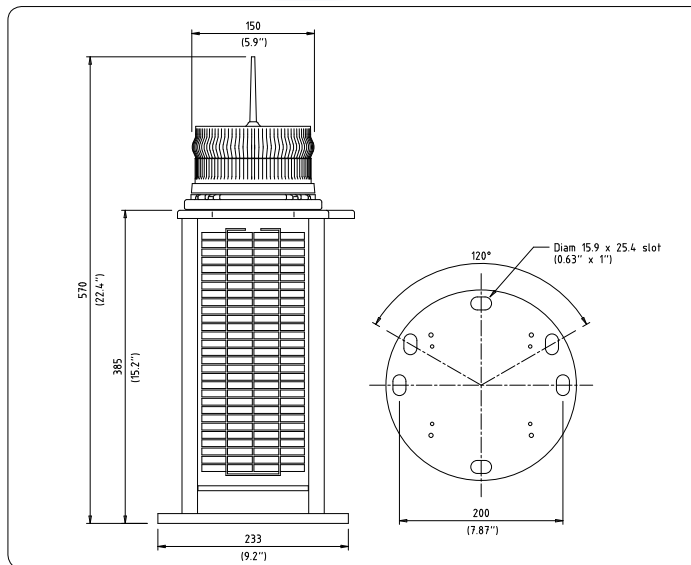
Fax. (603) 524-8100  
Internet: [www.sealiteusa.com](http://www.sealiteusa.com)  
Email: [info@sealiteusa.com](mailto:info@sealiteusa.com)

# SLC420

## Compact 4-5nm+ Solar Marine Lantern



Convenient user-replaceable battery



### SPECIFICATIONS •



SLC420's mounted on SLB1250 Navigation Buoys, Pasig River, Manila, Philippines

#### Light Characteristics

Light Source  
Available Colours  
Maximum Available Intensity (cd)<sup>Δ</sup>  
Visible Range (nm)  
Horizontal Output (degrees)  
Vertical Divergence (degrees)  
Reflector Type

Available Flash Characteristics  
Intensity Adjustments  
LED Life Expectancy (hours)

#### Electrical Characteristics

Current Draw (mA)  
Circuit Protection  
Nominal Voltage (V)  
Autonomy (days)  
Temperature Range

#### Solar Characteristics

Solar Module Type  
Output (watts)  
Solar Module Efficiency (%)  
Charging Regulation

#### Power Supply

Battery Type  
Battery Capacity (Ah)  
Nominal Voltage (V)  
Battery Service Life

#### Physical Characteristics

Body Material  
Lens Material  
Lens Diameter (mm/inches)  
Lens Design  
Mounting  
Height (mm/inches)  
Width (mm/inches)  
Mass (kg/lbs)  
Product Life Expectancy

#### Certifications

CE  
Quality Assurance  
Waterproof

#### Intellectual Property

Patents  
Trademarks

#### Warranty\*

#### Options Available

36 ultra-high intensity LEDs  
Red, Green, White, Yellow, Blue  
Red - 119 Green - 134 White - 128 Yellow - 114  
4-5+  
360  
9  
Omnidirectional 360° LED Reflector (US Pat. No. 6,667,582. AU Pat. No. 778,918)  
Up to 256 IALA recommended (user adjustable)  
Adjustable in 25% increments  
>100,000

Refer to Sealite Power Calculator  
Integrated

>15 (14 hour darkness, 12.5% duty cycle)  
-40 to 80°C

Multicrystalline  
20 (4 x 5 watt)  
14  
Microprocessor controlled

SLA (Sealed Lead Acid)  
24  
12  
Average 5 years

7-stage powder-coated aluminium  
LEXAN® Polycarbonate - UV-stabilised  
150 / 5 7/8  
External optics with interior flute design  
3 & 4 hole bolt pattern on 200mm OD base  
570 / 22 1/2  
233 / 9 1/8  
13.9 / 30 5/8  
Up to 12 years

EN61000-6-3:1997. EN61000-6-1:1997  
ISO9001:2000  
IP68

US Pat. No. 6,667,582. AU Pat. No. 778,918  
SEALITE® is a registered trademark of Sealite Pty Ltd

Full 3 years

- GPS (SLC420-GPS) or RF communication (SLC420-CS) synchronisation
- GSM (SLC420-GSM) or RF Radio (SLC420-RC) monitoring & control capabilities
- Note - remote monitoring/control will reduce visible range of lantern due to increased power consumption
- 10 degree lens
- 50mm pole mount adaptor plate (MC/03)

CE

• Specifications subject to change or variation without notice

\* Subject to standard terms and conditions

Δ Intensity setting subject to solar availability



**Head Office:**  
Sealite Pty Ltd  
AUSTRALIA

Ph. +61 (0)3 5977 6128  
Fax. +61 (0)3 5977 6124  
Internet: [www.sealite.com.au](http://www.sealite.com.au)  
Email: [info@sealite.com.au](mailto:info@sealite.com.au)

Sealite USA  
USA (Gilford, NH)  
Ph. (603) 524-6066

Fax. (603) 524-8100  
Internet: [www.sealiteusa.com](http://www.sealiteusa.com)  
Email: [info@sealiteusa.com](mailto:info@sealiteusa.com)