

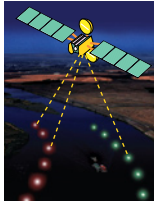
# SLC310

## Compact 3-5nm+ Solar Marine Lantern

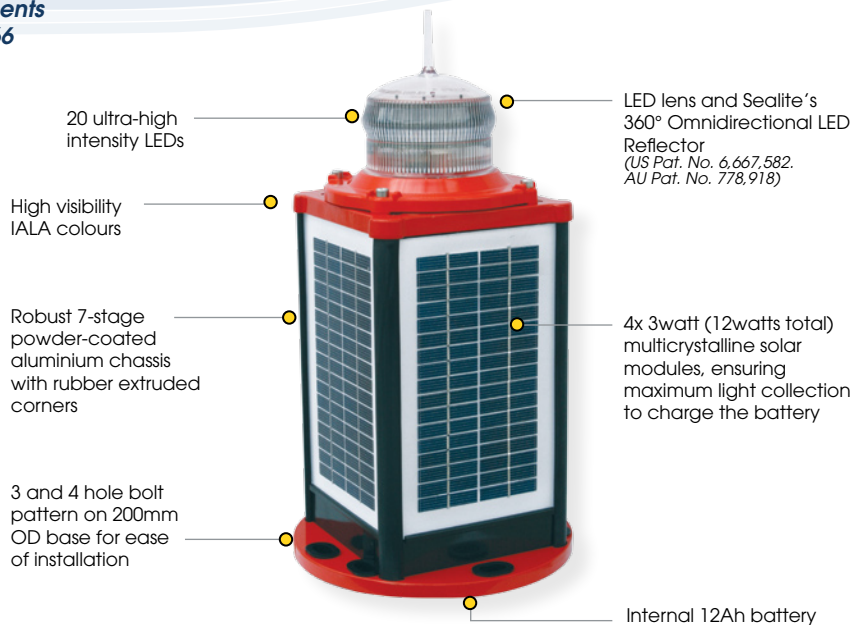
This equipment complies with requirements of the U.S. Coast Guard in 33 CFR part 66

**New Design**

Now with 3 & 4 hole bolt pattern, & PC interface



Available with internal GPS synchronisation



### The Sealite Advantage

- **Simplicity of design ensures ease of maintenance in the field**
- **Heavy-duty aluminium construction**
- **All components user-replaceable in the unlikely event of damage**
- **200mm OD base pattern for immediate installation on existing structures**
- **User-replaceable battery**
- **256 IALA flash patterns**
- **Tempered glass solar modules for peak efficiency**
- **IP68 waterproof**
- **Full 3 year warranty**

The SLC310 is a robust, completely self-contained 3-5nm+ Solar LED Lantern specifically designed to withstand the tough marine environment, providing years of reliable, low-maintenance service. The 3 & 4 hole bolt pattern base fits directly onto existing 200mm OD industry standard mounts for ease of installation.

The chassis of the SLC310 is made from cast aluminium, subject to 7-stage powder-coating in high visibility IALA colours for daytime recognition, with UV-stabilised rubber corners and gaskets providing a superior IP68 waterproof rating - the best in the industry.

Four (4) premium-grade solar modules are integrated into the assembly, and mounted to collect sunlight at all angles.

The unit is capable of producing any of 256 IALA recommended flash characters - field-adjustable without the need for ancillary equipment.

The tough polycarbonate lens is specifically designed for use with LEDs, and incorporates an environment-friendly spike - deterring unwelcome bird life. The lens design also ensures that vessel operators clearly see the light from above, when passing the AtoN.

#### Optional PC Interface (SLC310-PC)

Sealite's new PC interface allows a host of features to be loaded onto the lantern, including automatic effective intensity calculations, adjustable on/off LUX levels and custom flash codes.

Users can choose between Schmidt-Clausen, Allard, Blondel-Rey-Douglas, and Allard-Ohno-Couzin (100 pulse) effective intensity settings.

#### Optional High Intensity Model (SLC310-HI)

The SLC310 is available in 2 peak intensity modes where solar radiation permits.

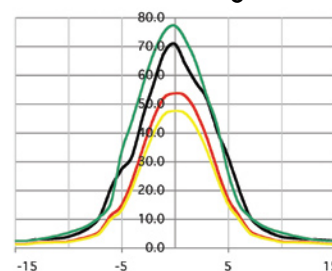
For solar sizing please refer to the Sealite Power Calculator.

#### Optional GPS Synchronisation (SLC310-GPS & SLC310-HI-GPS)

Sealite's SLC310 is also available with optional GPS synchronisation enabling users to clearly mark channels, ports, rivers and entrances, marinas, aquaculture installations and exclusion zones with independent lanterns which flash in synchronisation.

When lanterns flash in synchronisation, they can be clearly distinguished from other nav aids and confusing background lighting.

#### SLC310 Vertical Divergence



#### Candela (cd)

	SLC310	SLC310-HI
R	53.6	94
G	77.2	125
W	70.8	116
Y	47.5	83



**Head Office:**  
Sealite Pty Ltd  
AUSTRALIA

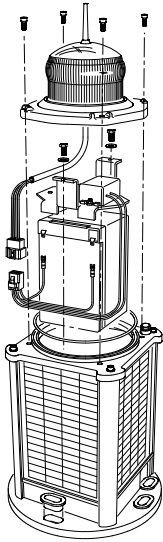
Ph. +61 (0)3 5977 6128  
Fax. +61 (0)3 5977 6124  
Internet: [www.sealite.com.au](http://www.sealite.com.au)  
Email: [info@sealite.com.au](mailto:info@sealite.com.au)

Sealite USA  
USA (Gilford, NH)  
Ph. (603) 524-6066

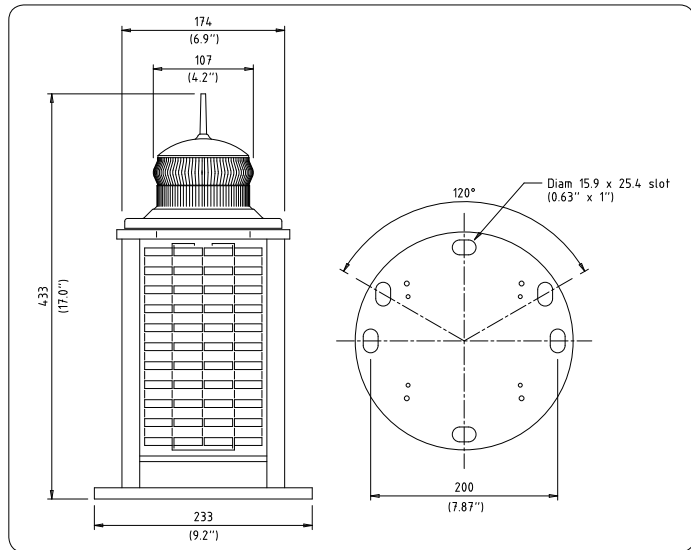
Fax. (603) 524-8100  
Internet: [www.sealiteusa.com](http://www.sealiteusa.com)  
Email: [info@sealiteusa.com](mailto:info@sealiteusa.com)

# SLC310

## Compact 3-5nm+ Solar Marine Lantern



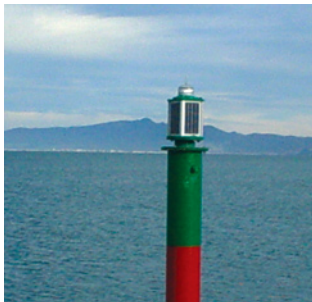
Convenient user-replaceable battery



### SPECIFICATIONS •



Barcelona, Spain



Dodanduwa Harbour, Sri Lanka

#### Light Characteristics

Light Source  
Available Colours  
Maximum Available Intensity (cd)<sup>Δ</sup>  
Visible Range (nm)  
Horizontal Output (degrees)  
Vertical Divergence (degrees)  
Reflector Type

Available Flash Characteristics  
Intensity Adjustments  
LED Life Expectancy (hours)

#### Electrical Characteristics

Current Draw (mA)  
Circuit Protection  
Nominal Voltage (V)  
Autonomy (days)  
Temperature Range

#### Solar Characteristics

Solar Module Type  
Output (watts)  
Solar Module Efficiency (%)  
Charging Regulation

#### Power Supply

Battery Type  
Battery Capacity (Ah)  
Nominal Voltage (V)  
Battery Service Life

#### Physical Characteristics

Body Material  
  
Lens Material  
Lens Diameter (mm/inches)  
Lens Design  
Mounting  
Height (mm/inches)  
Width (mm/inches)  
Mass (kg/lbs)  
Product Life Expectancy

#### Certifications

CE  
Quality Assurance  
Waterproof

#### Intellectual Property

Patents  
Trademarks

#### Warranty\*

#### Options Available

20 ultra-high intensity LEDs  
Red, Green, White, Yellow, Blue  
Red - 53.6 Green - 77.2 White - 70.8 Yellow - 47.5  
3-5+  
360  
9  
Omnidirectional 360° LED Reflector (US Pat. No. 6,667,582.  
AU Pat. No. 778,918)  
Up to 256 IALA recommended (user adjustable)  
Adjustable in 25% increments  
>100,000

Refer to Sealite Power Calculator  
Integrated  
12  
>55 (14 hour darkness, 12.5% duty cycle)  
-40 to 80°C

Multicrystalline  
12 (4 x 3watt)  
14  
Microprocessor controlled

SLA (Sealed Lead Acid)  
12  
12  
Average 5 years

7-stage powder-coated aluminium chassis with UV-stabilised  
rubber corners & gaskets  
LEXAN® Polycarbonate - UV-stabilised  
107 / 4<sup>1/4</sup>  
External optics with interior flute design  
3 & 4 hole bolt pattern on 200mm OD base  
433 / 17  
233 / 9<sup>1/5</sup>  
9.4 / 20<sup>3/4</sup>  
Up to 12 years

EN61000-6-3:1997. EN61000-6-1:1997  
ISO9001:2000  
IP68

US Pat. No. 6,667,582. AU Pat. No. 778,918  
SEALITE® is a registered trademark of Sealite Pty Ltd

Full 3 years

- High Intensity Model (SLC310-HI)
- GPS Synchronisation (SLC310-GPS & SLC310-HI-GPS)
- 50mm pole mount adaptor plate (MC/03)

CE

• Specifications subject to change or variation without notice

\* Subject to standard terms and conditions

Δ Intensity setting subject to solar availability



**Head Office:**  
Sealite Pty Ltd  
AUSTRALIA

Ph. +61 (0)3 5977 6128  
Fax. +61 (0)3 5977 6124  
Internet: [www.sealite.com.au](http://www.sealite.com.au)  
Email: [info@sealite.com.au](mailto:info@sealite.com.au)

Sealite USA  
USA (Gilford, NH)  
Ph. (603) 524-6066

Fax. (603) 524-8100  
Internet: [www.sealiteusa.com](http://www.sealiteusa.com)  
Email: [info@sealiteusa.com](mailto:info@sealiteusa.com)