

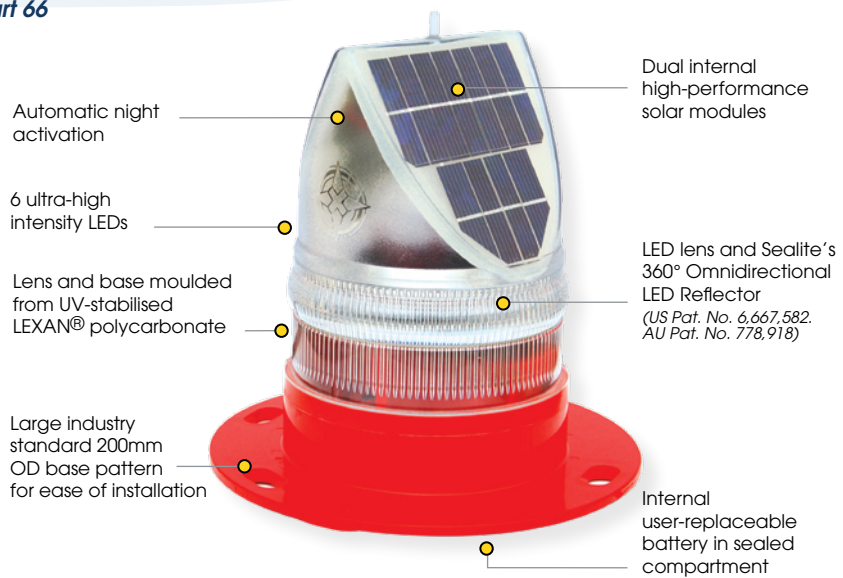
SL70

2-3nm+ Solar Marine Light

This equipment complies with requirements of the U.S. Coast Guard in 33 CFR part 66



Available with RF comm-sync or radio control



The Sealite SL70 is exceptional in it's unique ability to be able to 'track the sun' and operate reliably in low sunlight conditions. The SL70 has been proven to operate as a 2-3+ mile compact buoy lantern in various low-sunlight environments such as Britain, Canada, and Europe.

Made from tough, durable polycarbonate and using the latest high intensity LED's, the SL70 lantern boasts dual high-performance solar modules incorporated into Sealite's world-first Solar Collection Lens. These solar modules are angled to obtain maximum sunlight capture, allowing the unit to operate reliably in a range of low sunlight environments.

The SL70 can be installed in minutes, and requires no operator intervention. The flash-characters are easily adjusted on-site by the user, and the lantern has a permanent ON/OFF switch for easy storage.

The sealed battery compartment allows the battery to be replaced after years of service - don't throw the light away at the end of the battery service life.

Sealite's SL70 solar marine light has been awarded the prestigious Australian DesignMark® at the Australian Design Awards; a testament of Sealite's commitment to the ongoing development of state-of-the-art products.

Optional RF Communication Synchronisation (SL70-CS)

The SL70 is available with optional short-range RF communication synchronisation. Two (2) or more lights can be synchronised to flash in unison via an internal RF module - ideal for rivers, marina entrances, channel marking and aquaculture.

When lanterns flash in synchronisation they can be clearly distinguished from other nav aids and confusing background lighting - ideal for rivers, marina entrances, channel marking and aquaculture.

Optional Remote Radio Control (SL70-RC)

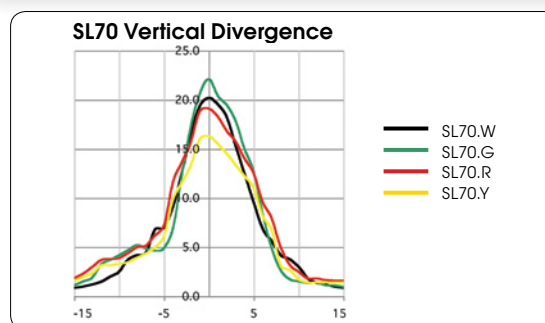
Radio control may be fitted to the SL70 model enabling users to remotely modify the setup of their lantern via handheld radio controller (SL-RC-2.4).

Optional 12 LED Light Configuration (SL70-12)

In high sunlight regions the SL70 may be fitted with 12 LED's and appropriate intensity settings to provide a range of >3 nautical miles (colour dependant).

The Sealite Advantage

- Reliable year-round operation in low sunlight conditions
- 256 IALA flash patterns, user-adjustable without the need for external devices
- User-replaceable battery in sealed battery compartment
- NiMH battery for long service life & wide temperature range
- 4 user-adjustable intensity settings
- ON/OFF storage switch
- IP68 waterproof



Candela (cd)	
SL70	
R	19.1
G	22.1
W	20.2
Y	16.3



Head Office:
Sealite Pty Ltd
AUSTRALIA

Ph. +61 (0)3 5977 6128
Fax. +61 (0)3 5977 6124
Internet: www.sealite.com.au
Email: info@sealite.com.au

Sealite USA
USA (Gilford, NH)
Ph. (603) 524-6066

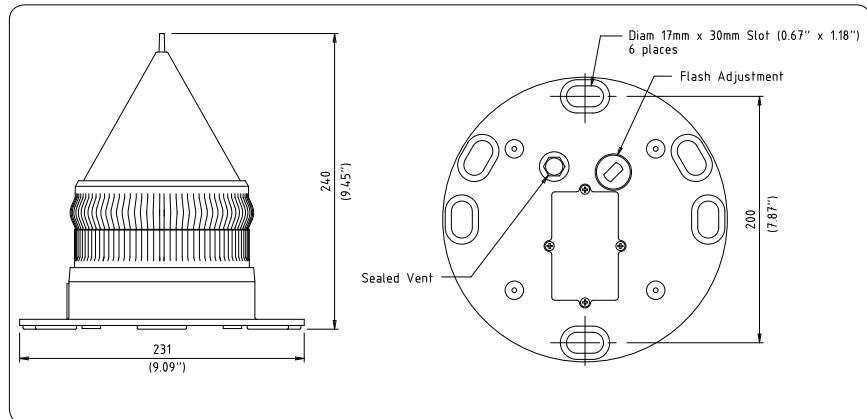
Fax. (603) 524-8100
Internet: www.sealiteusa.com
Email: info@sealiteusa.com

SL70

2-3nm+ Solar Marine Light



User replaceable battery



SPECIFICATIONS •



Castellon, Spain



Western Australia installations



Light Characteristics

Light Source
Available Colours
Maximum Available Intensity (cd)^Δ
Visible Range (nm)
Horizontal Output (degrees)
Vertical Divergence (degrees)
Reflector Type

Available Flash Characteristics
Intensity Adjustments
LED Life Expectancy (hours)

Electrical Characteristics

Current Draw (mA)
Circuit Protection
Nominal Voltage (v)
Autonomy (days)
Temperature Range

Solar Characteristics

Solar Module Type
Output (watts)
Solar Module Efficiency (%)
Charging Regulation

Power Supply

Battery Type
Battery Capacity (Ah)
Nominal Voltage (v)
Battery Service Life

Physical Characteristics

Body Material
Lens Material
Lens Diameter (mm/inches)
Lens Design
Mounting
Height (mm/inches)
Width (mm/inches)
Mass (kg/lbs)
Product Life Expectancy

Certifications

CE
Quality Assurance
Waterproof

Intellectual Property

Patents
Trademarks

Warranty*

Options Available

6 ultra-high intensity LEDs
Red, Green, White, Yellow, Blue
Red - 19.1 Green - 22.1 White - 20.2 Yellow - 16.3
2-3+
360
9
Omnidirectional 360° LED Reflector (US Pat. No. 6,667,582.
AU Pat. No. 778,918)
Up to 256 IALA recommended (user adjustable)
Adjustable in 25% increments
>100,000

Refer to Sealite Power Calculator

Integrated
3.6
30 (14 hour darkness, 12.5% duty cycle)
-40 to 80°C

Multicrystalline
2.5 (2 x 1.25watt)
14
Microprocessor controlled

High grade NiMH - Environment friendly
8
3.6
Average 5 years

LEXAN® Polycarbonate - UV-stabilised
LEXAN® Polycarbonate - UV-stabilised
150 / 5⁷/₈
External optics with interior flute design
200mm OD base pattern
240 / 9¹/₂
231 / 9¹/₈
1.4 / 3¹/₈ (SL70/16Ah 1.6 / 3¹/₂)
Up to 12 years

EN61000-6-3:1997. EN61000-6-1:1997
ISO9001:2000
IP68

US Pat. No. 6,667,582. AU Pat. No. 778,918
SEALITE® is a registered trademark of Sealite Pty Ltd

Full 3 years

- 16Ah battery (SL70/16Ah)
- 12 LEDs (SL70-12)
- 50mm pole mount adaptor plate (MC/03)
- RF communication synchronisation (SL70-CS)
- Remote radio control (SL70-RC) with handheld radio controller (SL-RC-2.4)

CE

• Specifications subject to change or variation without notice

* Subject to standard terms and conditions

Δ Intensity setting subject to solar availability



Head Office:
Sealite Pty Ltd
AUSTRALIA

Ph. +61 (0)3 5977 6128
Fax. +61 (0)3 5977 6124
Internet: www.sealite.com.au
Email: info@sealite.com.au

Sealite USA
USA (Gilford, NH)
Ph. (603) 524-6066

Fax. (603) 524-8100
Internet: www.sealiteusa.com
Email: info@sealiteusa.com