

BargeSafe™ LED Barge Light



Meets UL 1104
Applicable Sections
for a 3nm Barge Light

Moulded
one-piece handle

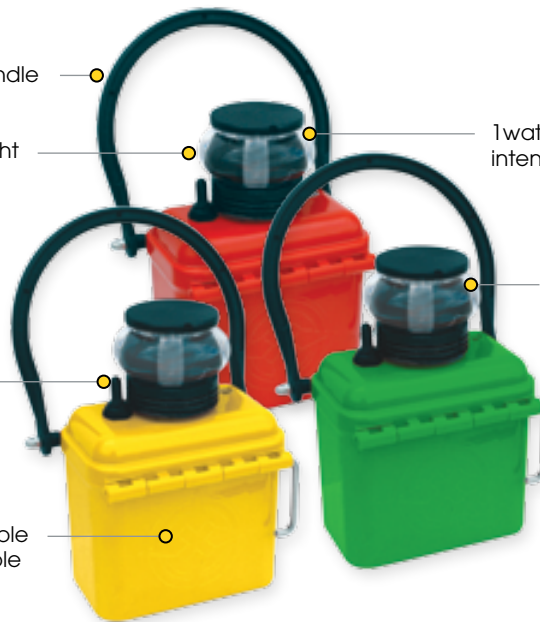
Automatic night
activation

Convenient
ON/OFF
switch

Internal
user-replaceable
or rechargeable
battery

1 watt ultra-high
intensity LED

Sealite
world-class
sectored LED
lens to suit UL
1104 certified
configurations



The Sealite Advantage

- UL 1104 certified
- LED technology
- Precise light sectoring achieved via Sealite's world-class in-house designed lens
- 3nm visible range
- Robust
- Installs in seconds
- Low power consumption
- Lightweight

The Sealite BargeSafe™ range of LED barge lights are certified to UL 1104 with >3nm visible range.

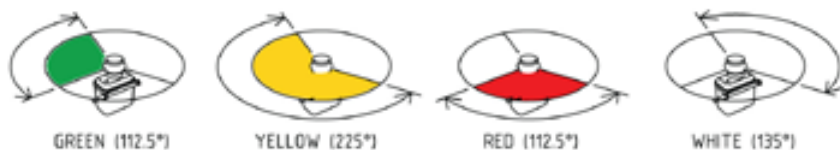
The LED barge light is one of the most advanced in its class, and incorporates a host of innovative features designed to make the unit extremely user-friendly.

The world-class LED lens is designed by Sealite and achieves precise intensity and sectoring requirements from a single LED light source. This design helps achieve a lower operational current compared with alternate LED barge lights - making the unit ultra efficient and offering a battery run time of up to 45 nights.

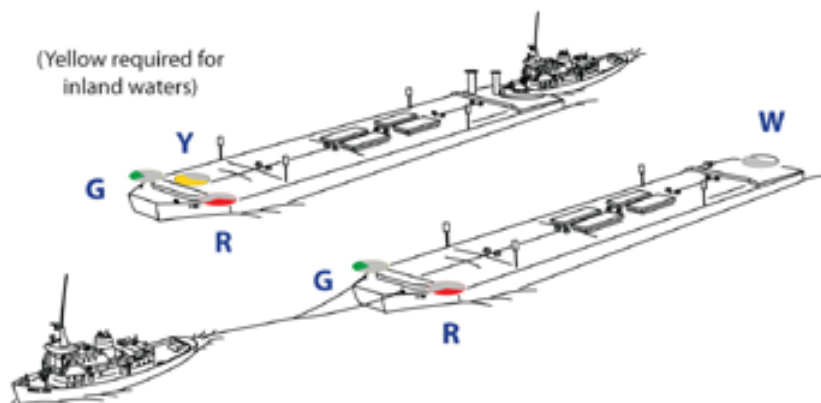
The light will run from a 6v or 12v dry-cell, or can be supplied with an advanced rechargeable battery pack and charge controller. Advanced onboard circuitry incorporates a DC/DC converter which will maintain the required light source intensity over varying battery voltage.

The barge light casing and handle are injected moulded from UV-stabilised polycarbonate - offering enormous impact resistance and long operational life. The casings are coloured for easy identification of light output colour.

A magnetic base provides strong fixing in position to the barge deck.



(Yellow required for
inland waters)



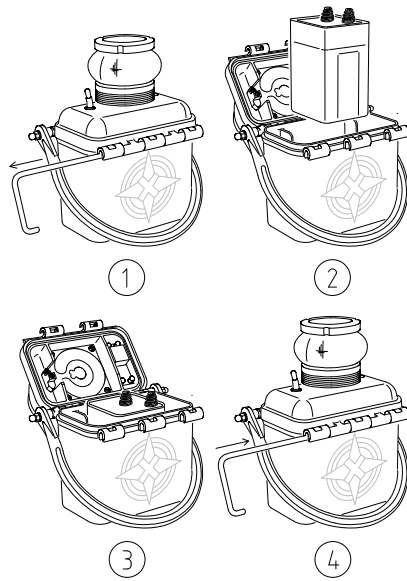
Head Office:
Sealite Pty Ltd
AUSTRALIA

Ph. +61 (0)3 5977 6128
Fax. +61 (0)3 5977 6124
Internet: www.sealite.com.au
Email: info@sealite.com.au

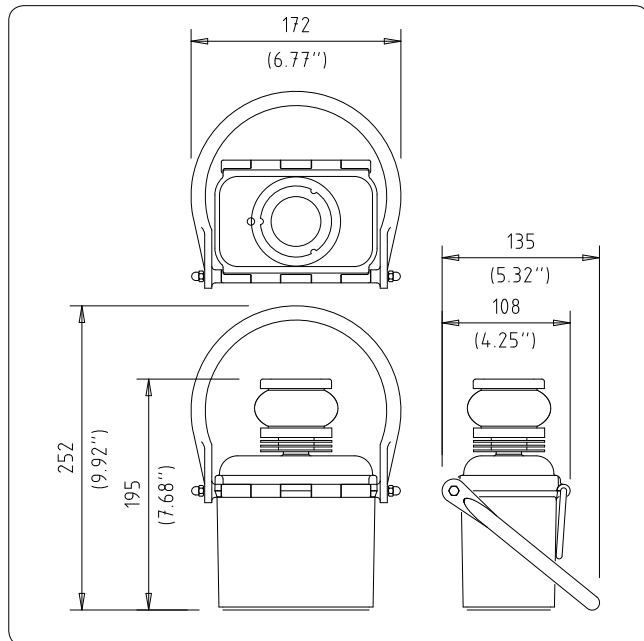
USA Customers:
Sealite USA
USA (Gilford, NH)

Ph. (603) 524-6066
Fax. (603) 524-8100
Internet: www.sealiteusa.com
Email: info@sealiteusa.com

BargeSafe™ LED Barge Light



Ease of battery re-charge or replacement



SPECIFICATIONS •

Light Characteristics

| | |
|-----------------------------|--|
| Light Source | 1x 1 watt ultra-high intensity LED |
| Available Colours | Red, Green, White, Yellow as per UL 1104 |
| Peak Intensity (cd) | As per UL 1104 |
| Visible Range (nm) | > 3nm as per UL 1104 |
| Horizontal Output (degrees) | Red- 112.5, Green- 112.5, White- 135, Yellow- 225 as per UL 1104 |
| Flash Characteristics | As per UL 1104 (steady-on & flashing) |
| LED Life Expectancy (hours) | >100,000 |

Electrical Characteristics

| | |
|---------------------------|-------------|
| Circuit Protection | Integrated |
| Working Voltage Range (v) | 4 - 16 |
| Temperature Range | -40 to 80°C |

Power Supply

| | |
|-----------------------|---|
| Battery Type | Air Alkaline (recommended), rechargeable battery (optional) |
| Battery Capacity (Ah) | 45Ah (Air Alkaline) |
| Nominal Voltage (v) | 6v (Air Alkaline) |
| Autonomy (days) | >45 |

Physical Characteristics

| | |
|-------------------------|---|
| Battery Housing | LEXAN® Polycarbonate – UV-stabilised |
| Lens Material | Acrylic |
| Lens Mount & Top | Anodized aluminium |
| Lens Design | Internal single LED cavity with individual sectoring compartments to meet all UL 1104 angles for light output |
| Mounting | 4x magnets |
| Height (mm/inches) | 195 / 7 ² / ₃ |
| Width (mm/inches) | 172 / 6 ⁷ / ₈ |
| Depth (mm/inches) | 108 / 4 ¹ / ₄ |
| Mass (kg/lbs) | 1.5 / 3 ¹ / ₃ |
| Product Life Expectancy | Up to 12 years |

Certifications

| | |
|-------------------|--------------|
| Approvals | UL 1104 |
| Quality Assurance | ISO9001:2000 |
| Waterproof | IP67 |

Intellectual Property

| | |
|------------|--|
| Trademarks | BargeSafe™ is a trademark of Sealite Pty Ltd |
|------------|--|

Warranty *

| | |
|--|--------|
| | 1 year |
|--|--------|



• Specifications subject to change or variation without notice * Subject to standard terms and conditions



Head Office:
Sealite Pty Ltd
AUSTRALIA

Ph. +61 (0)3 5977 6128
Fax. +61 (0)3 5977 6124
Internet: www.sealite.com.au
Email: info@sealite.com.au

USA Customers:
Sealite USA
USA (Gilford, NH)

Ph. (603) 524-6066
Fax. (603) 524-8100
Internet: www.sealiteusa.com
Email: info@sealiteusa.com