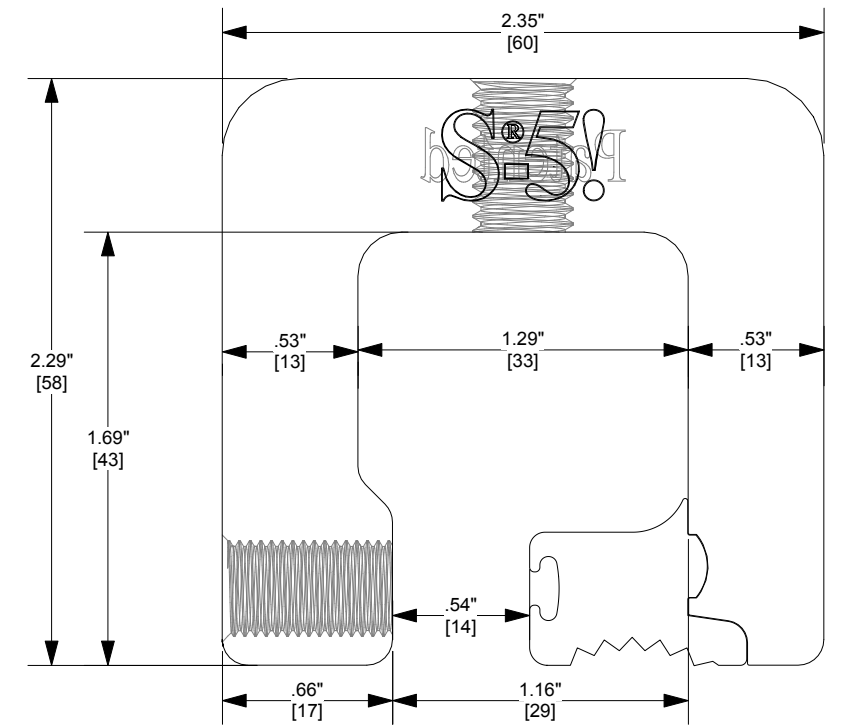
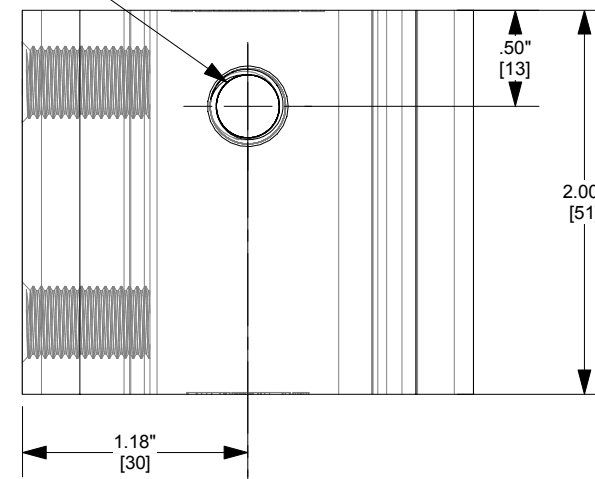
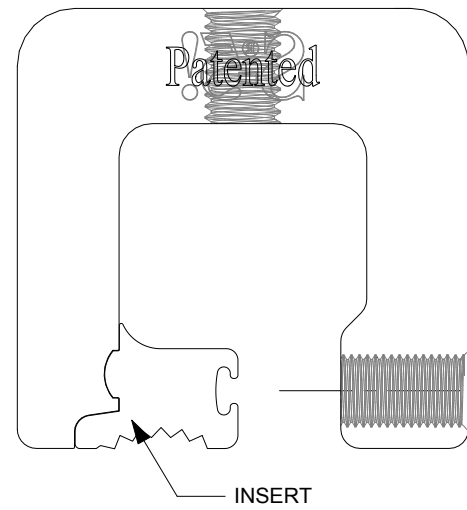


M10-1.5 X .600" THREADED HOLE

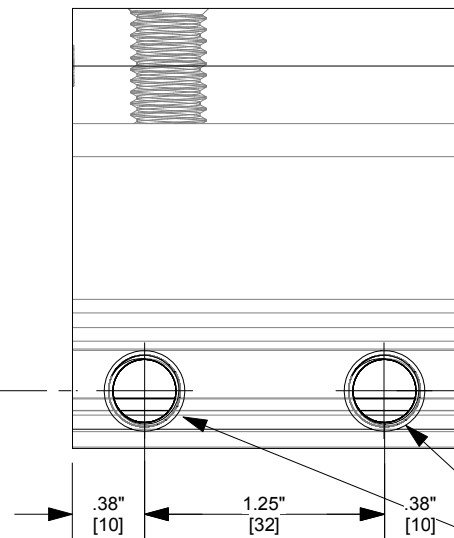
TOP



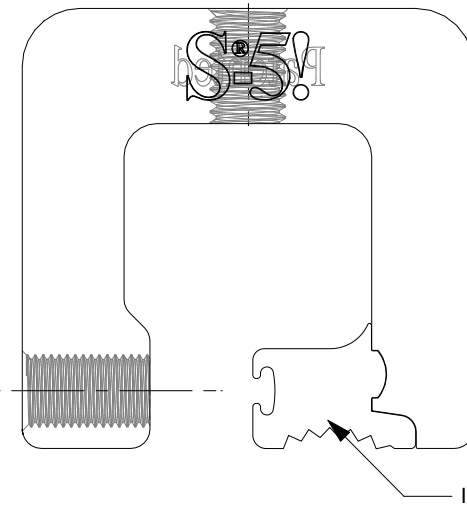
SCALE: 1:0.75



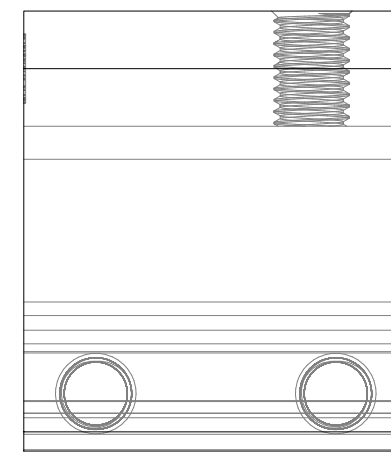
BACK



LEFT

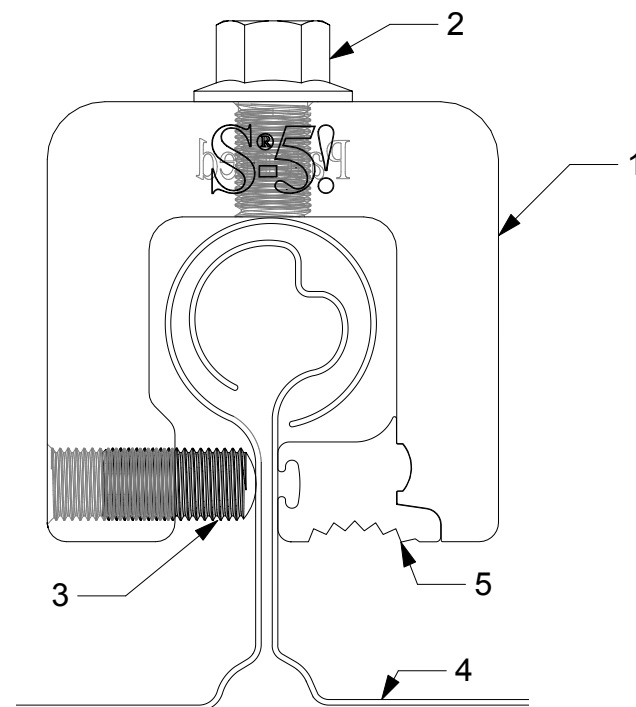


FRONT




RIGHT

(2X) 3/8-24 THREADED HOLES



**Notes**

1. S-5-Q
2. M10-1.5 X 16MM HEX FLANGE BOLT
3. 3/8-24 X .8" ROUND POINT SETSCREW
4. EXAMPLE PROFILE
5. CLAMP INSERT

MATERIAL: <b>6000 SERIES</b>		METAL ROOF INNOVATIONS, LTD. 8655 TABLE BUTTE RD COLORADO SPRINGS, CO 80908 719-495-0518 719-495-0045 (FAX)	
EST ASSEMBLY WEIGHT :		TITLE S-5-Q CCD	
SUPPLIED HARDWARE: M10-1.5 X 16MM (16MM HEX) 18/8 SS (2X) 3/8-24 X .800" 18/8 SS	DRAWING NO. Q03-A-0-A_CCD	DRAWN BY Michal Sida	DATE 03/13/2013
SCALE: <b>1:1</b>	<p>S-5!® PRODUCTS ARE PROTECTED BY MULTIPLE U.S. PATENTS INCLUDING 5,228,248, 5,983,588 AND 6,164,033 (OTHERS ISSUED AND PENDING). EUROPEAN PATENTS ARE ALSO APPLIED FOR AND PENDING UNDER THE PATENT COOPERATION TREATY WITH DIVISIONAL FILING RIGHTS RETAINED. METAL ROOF INNOVATIONS, LTD. (LICENSOR OF S-5!® TECHNOLOGY) AGGRESSIVELY PROSECUTES PATENT INFRINGEMENT.</p>		
OTHER:			