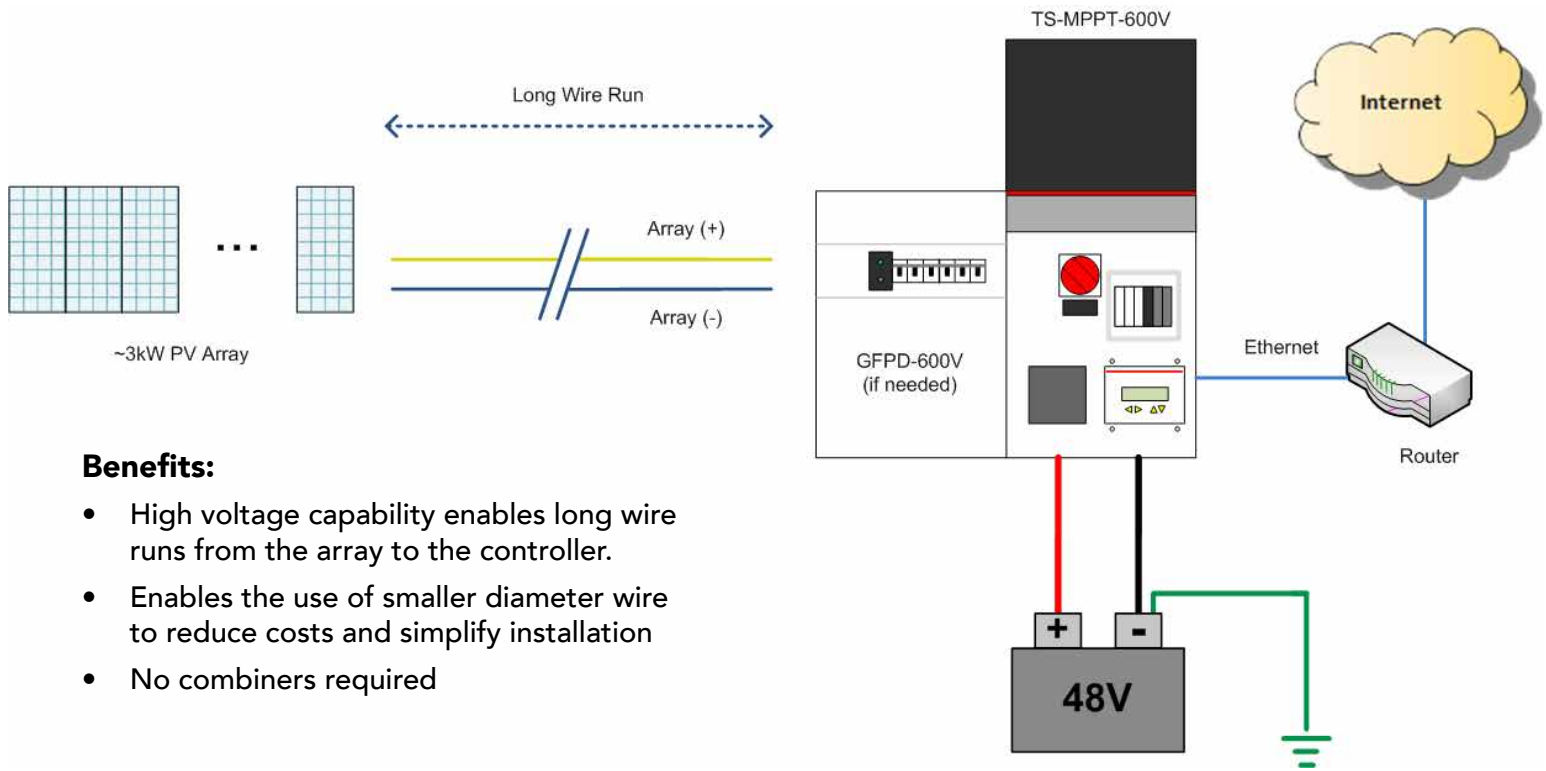


# TriStar 600V Charge Controller Applications

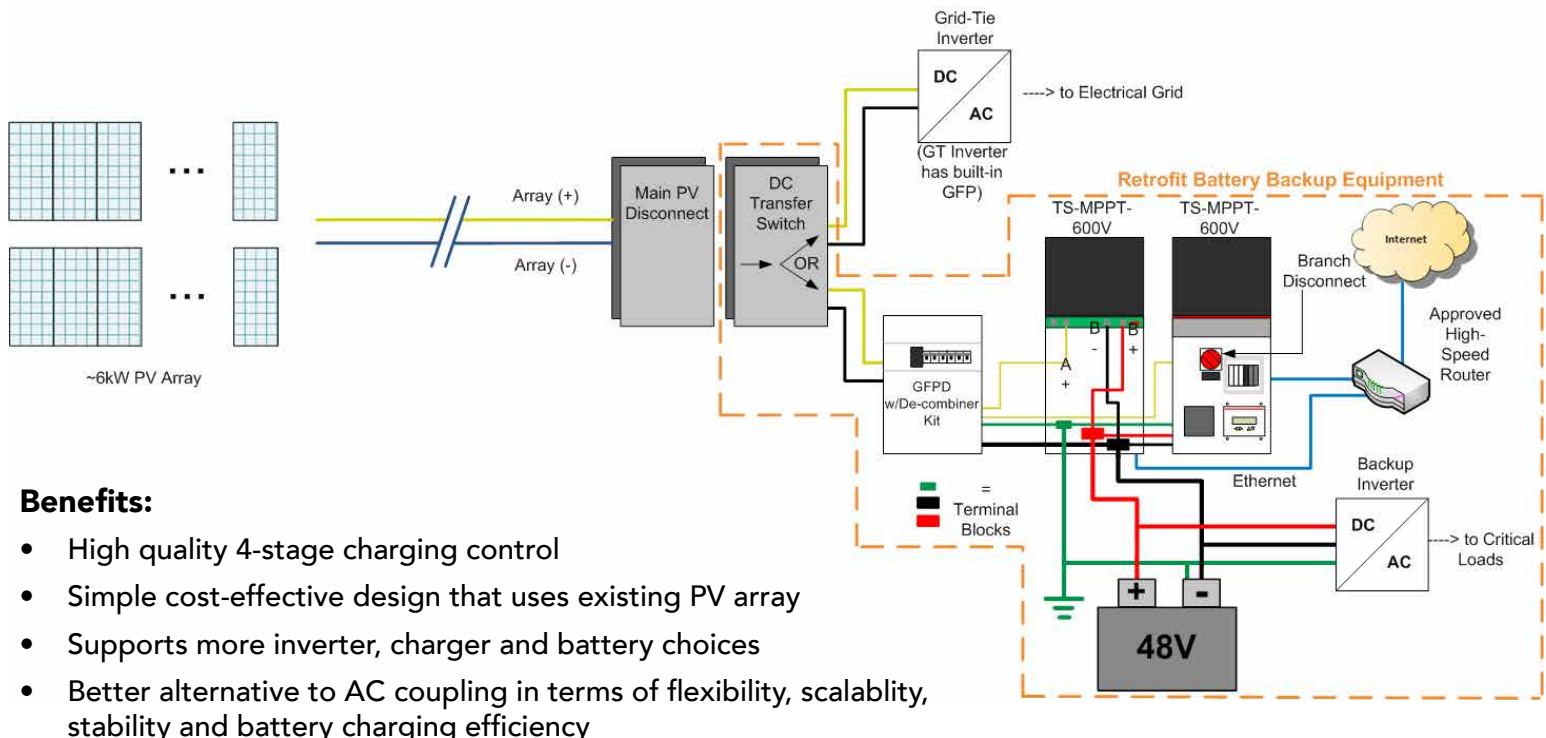
## Ground Mount PV with Long Wire Run



### Benefits:

- High voltage capability enables long wire runs from the array to the controller.
- Enables the use of smaller diameter wire to reduce costs and simplify installation
- No combiners required

## New and Retrofit Grid-tie Systems with Battery Backup

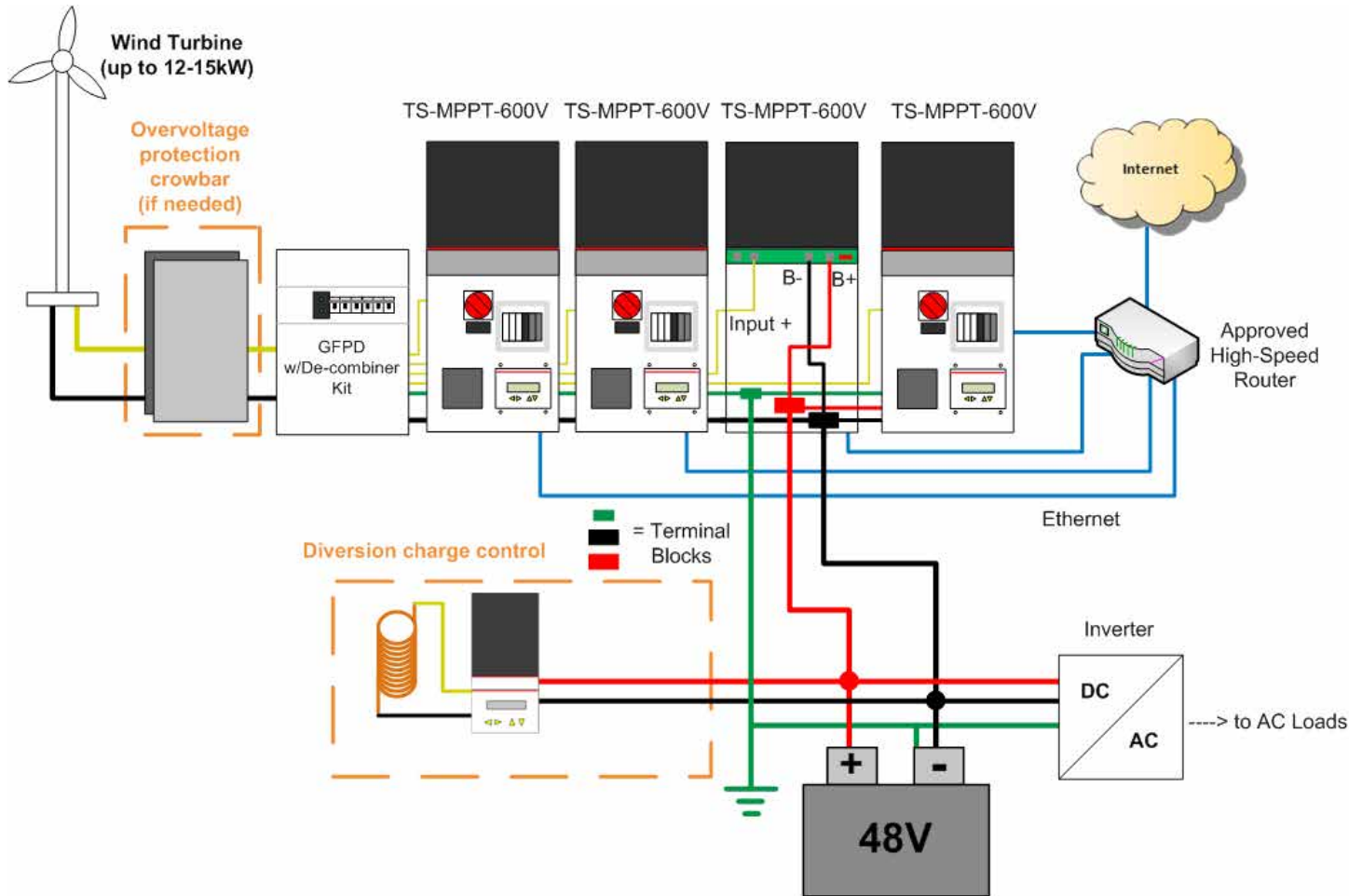


### Benefits:

- High quality 4-stage charging control
- Simple cost-effective design that uses existing PV array
- Supports more inverter, charger and battery choices
- Better alternative to AC coupling in terms of flexibility, scalability, stability and battery charging efficiency

# TriStar 600V Charge Controller Applications

## Off-Grid Wind or Hydro



### Benefits:

- First MPPT 600 volt charge controller for wind or hydro systems
- Enables the use of larger off-grid wind turbines or hydro systems
- Parallel operation of up to four charge controllers for a 12-15KWp wind or hydro system
- Greater efficiency because of Morningstar's innovative TrakStar™ Maximum Power Point Tracking Technology

