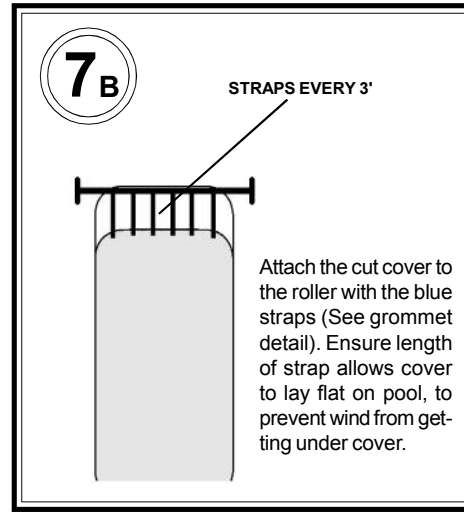
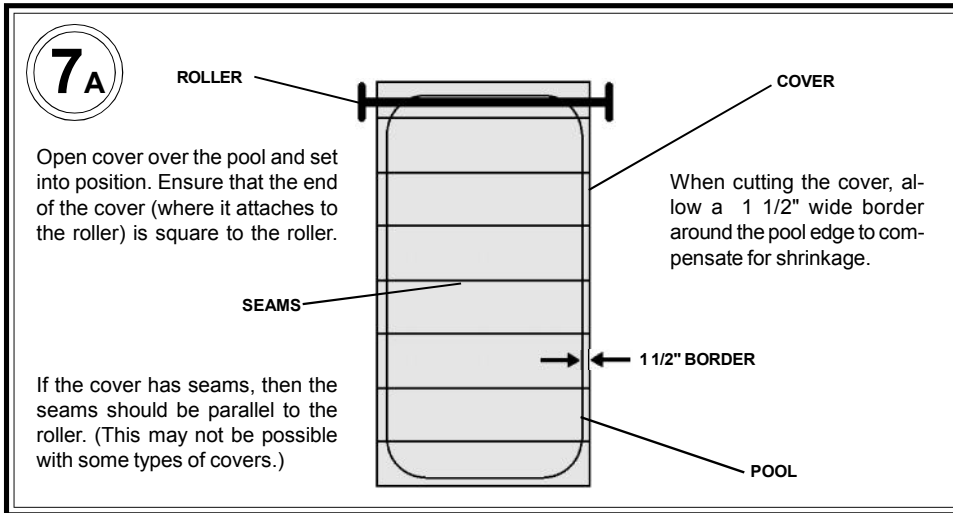
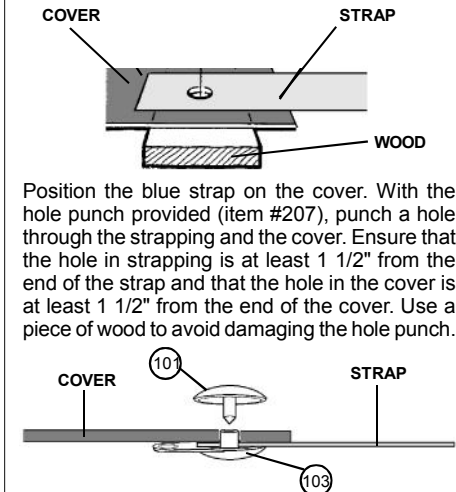


FOR REGULAR SHAPED INGROUND POOLS

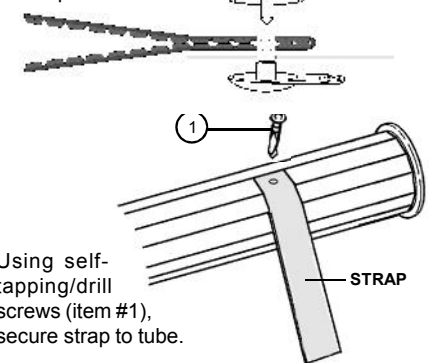


GROMMET DETAIL

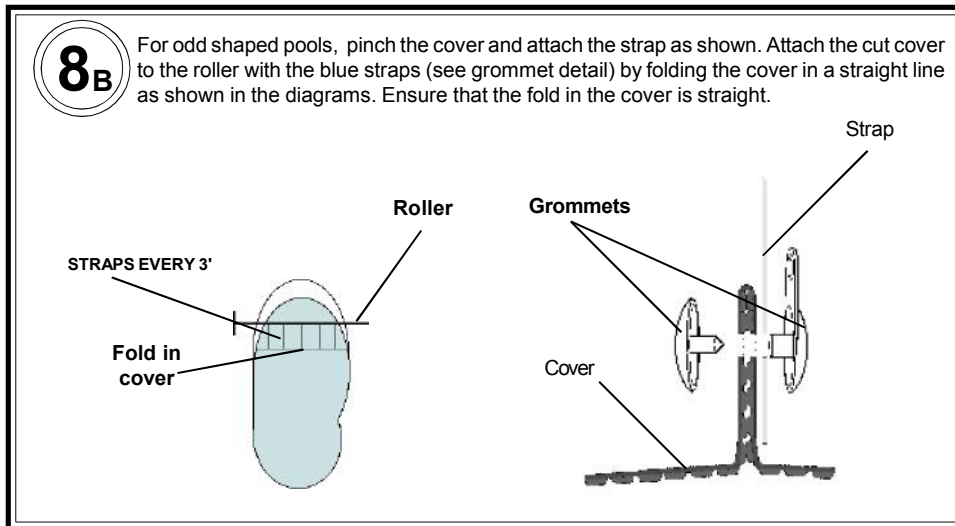
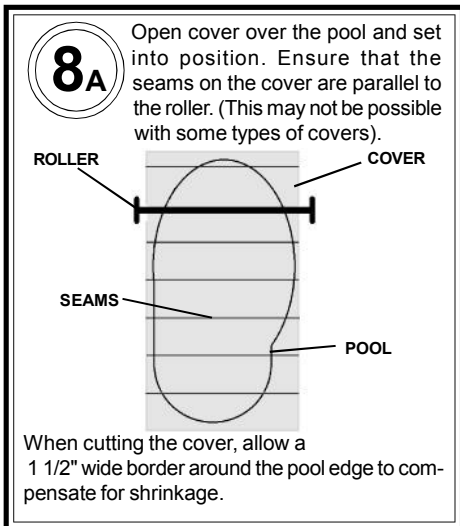


Insert female grommet (item #103) through hole in strapping and cover. Ensure that material is completely pushed down shaft. Insert male grommet (item #101) into female grommet. Once in place, hit gently with hammer until secure. (Caution - excess force will break grommet).

For odd shaped pools, pinch the cover and attach the strap as shown.



FOR IRREGULAR, KIDNEY, OR ROUND SHAPED INGROUND POOLS



ROCKY'S REEL SYSTEMS INC.

Tel: (604) 985-0525

Fax: (604) 985-4325

North America: Tel: 1-800-663-8705 Fax: 1-800-811-9966 Web Site: www.rockysrollers.com E-Mail: info@rockysrollers.com