

ROCKY'S AT-2 ADJUSTABLE TUBE INSTRUCTIONS

This package contains

ITEM	QTY	DESCRIPTION	Re-Order #
37	8	Lock Nut (1/4")	37
27	8	1/4" X 3 3/4" Bolt	27
361	2	Small Diameter Tube	361
363	1	Large Diameter Tube	363

Tools Required
Drill
1/4" Drill Bit
Hammer
7/16" Wrench

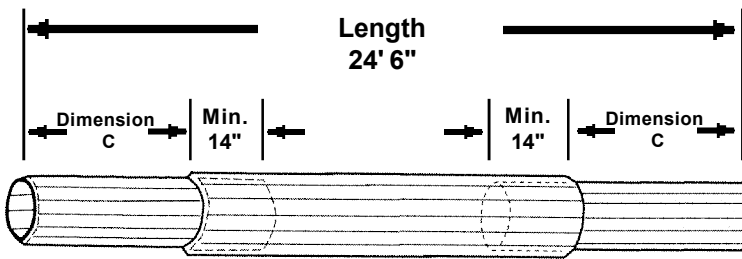
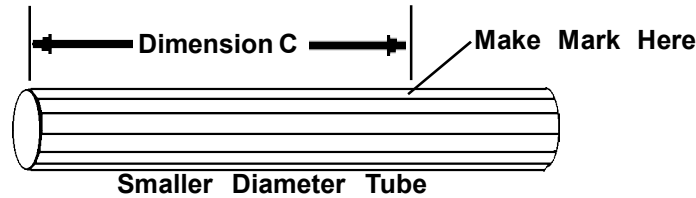
NOTE: If you have any questions please go to our web site : www.rockys.ca check FAQ (frequently asked questions).

IMPORTANT: YOU MUST BOLT THE TUBES TOGETHER AS PER INSTRUCTIONS FAILURE TO DO SO MAY CAUSE SAGGING

ADJUSTABLE TUBE TABLE GUIDE

Column A Pool Width (approx.)	Column B Total Tube Length (approx.)	Column C Dimension C (approx.)
16'10"	17'10"	53.4"
17'	18'	54.5"
17'6"	18'6"	57.5"
18'	19'	60.5"
18'6"	19'6"	63.5"
19'	20'	66.5"
19'6"	20'6"	69.5"
20'	21'	72.5"
20'6"	21'6"	75.5"
21'	22'	78.5"
21'6"	22'6"	81.5"
22'	23'	84.5"
22'6"	23'6"	87.5"
23'	24'	90.5"
23'6"	24'6"	93.5"
24'	25'	96.5"

1 For mounting on pool deck, measure the width of your pool from one inside edge to the other inside edge. On the "ADJUSTABLE TUBE TABLE GUIDE", locate your pool width in column A. Note the corresponding value of Dimension C in column C. Now, measure and mark Dimension C on both smaller diameter tubes as shown.



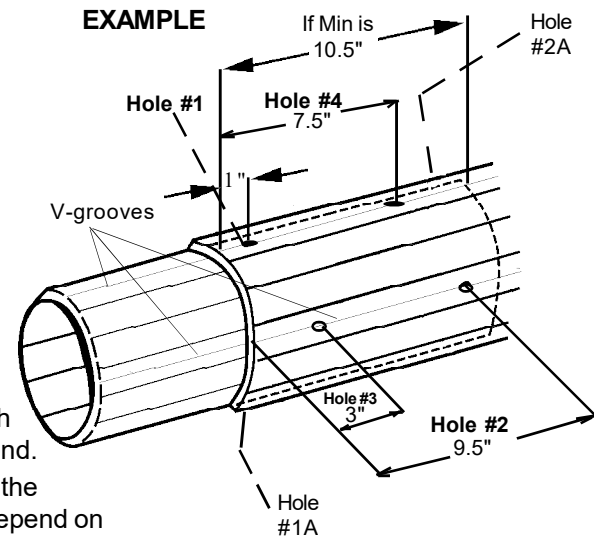
Insert smaller diameter tubes, into large diameter tube, up to the Dimension C mark, as shown. The total length of the tubes should be approximately equal to the corresponding value in column B. See example on reverse.

2 The 4 V-grooves running the length of each tube are designed to lessen drill bit movement while drilling holes. Start with one end of the tube first. Holding the tubes in place, use a 1/4" drill bit to drill hole #1 in the V-groove.

To prevent tubes from moving while drilling hole #2, loosely insert a carriage bolt (item #27) into hole #1. Rotate tube 90 degrees. Drill hole #2 in V-groove. Remove carriage bolt (item #27) from hole #1 and insert it into hole #2. Rotate tube 90 degrees. Drill hole #1A in V-groove, as per drawing. Remove carriage bolt (item #27) from hole #2 and insert it into hole #1A put nut on end finger tight. Rotate tube 90 degrees. Drill hole #2A in V-groove, as per drawing, Insert bolt and attach nut. Then repeat for other two bolt required to complete one end.

NOTE: Depending on length of tube repeat this procedure for the remaining two bolts (4 Bolts each end). The positioning will depend on the length of the overlap on each side of tube.

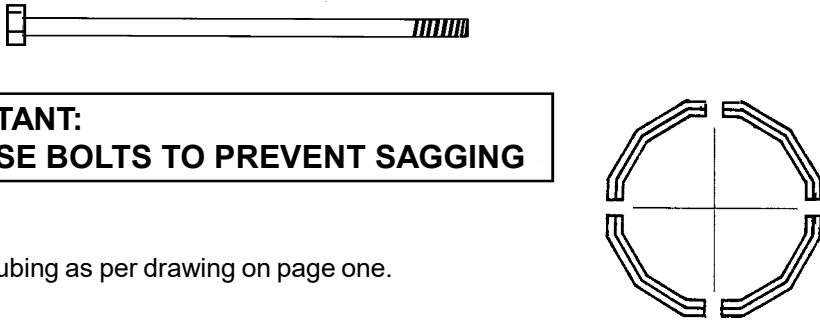
i.e. If the tube extension is 25' there will be 10.5" overlap inside of tube on both sides. Therefore place one bolt at 1" from edge (vertical) and the next one at 3" (horizontal). Then at 7.5" (vertical) and the last one at 9.5" (horizontal). Repeat process on other end of tube for a total of 8 bolts.



AT-2

3

Bolt (item #27)



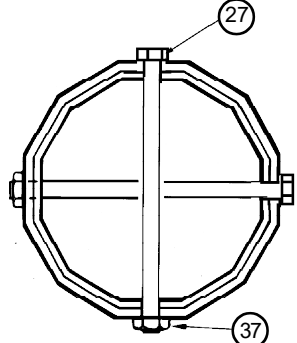
**VERY IMPORTANT:
YOU MUST USE BOLTS TO PREVENT SAGGING**

Drill four holes in tubing as per drawing on page one.

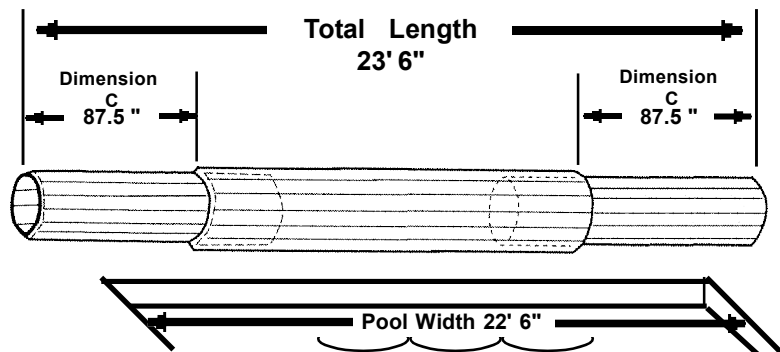
4

Insert **carriage bolt (item #27)** through **hole #1** and **#2** as shown. Lightly tap the carriage bolt into place with a hammer. Install **lock nut (item #37)** **finger tight**. Repeat for other two bolts on the same end for a total of four bolts. (If bolts appear too short check step #3). When all four bolts are in place tighten the **lock nut (item #37)** with wrench, being careful not to overtighten and strip the threads. Repeat procedure for other end of tube. There should be 8 bolts in all.

NOTE: Use all 8 bolts as directed to ensure a stiffer tube. Failure to do so may cause excessive sagging.



EXAMPLE: Pool width = 22' 6"



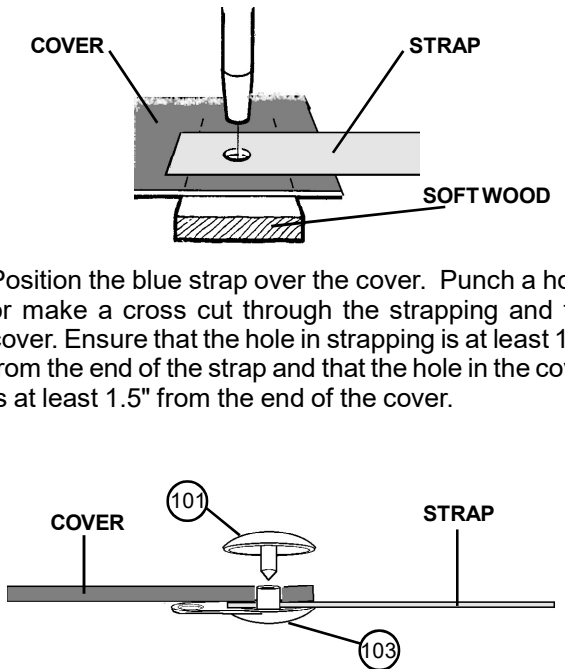
Dimension C 87.5"

Total Length 23' 6"

Dimension C 87.5"

Pool Width 22' 6"

GROMMET DETAIL



COVER STRAP SOFTWOOD

COVER STRAP

101 103

COVER STRAP

1

STRAP

Position the blue strap over the cover. Punch a hole, or make a cross cut through the strapping and the cover. Ensure that the hole in strapping is at least 1.5" from the end of the strap and that the hole in the cover is at least 1.5" from the end of the cover.

Insert female grommet (item #103) through hole in strapping and cover. Ensure that material is completely pushed down shaft. Insert male grommet (item #101) into female grommet. Once in place, hit with a hammer until secure. (Caution - excess force may break grommet).

Using self-drilling/self-tapping screws (item #1), secure strap to tube using an electric drill with a 5/16" hex head socket bit. Apply pressure to drill in order for it to drill hole once hole is drilled slow drill speed so as to not break off head of screw.