

THANK YOU FOR PURCHASING THIS QUALITY PRODUCT!

1

READ ALL INSTRUCTIONS CAREFULLY BEFORE STARTING!

STANDARD ROOF MOUNTS ARE SUITABLE FOR ANY ROOF TYPE PITCHED OR FLAT

THIS SET OF INSTRUCTIONS IS FOR A SHINGLE ROOF. YOU SHOULD CONTACT A ROOFER OR CONTRACTOR for ANY OTHER ROOF TYPE.

PLEASE BE VERY CAREFUL! SHEET METAL HAS SHARP EDGES.

1. Determine placement of the **TUBULAR SKYLIGHT™** taking care not to place it under a ridge or a valley on the roof. The location of the **TUBULAR SKYLIGHT™** should be placed so as not to cast your shadow on the area where you will need the light in the room.

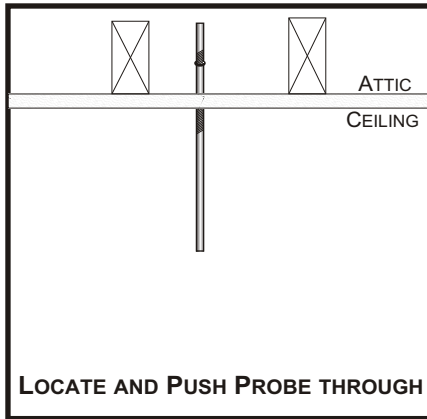


Figure 1

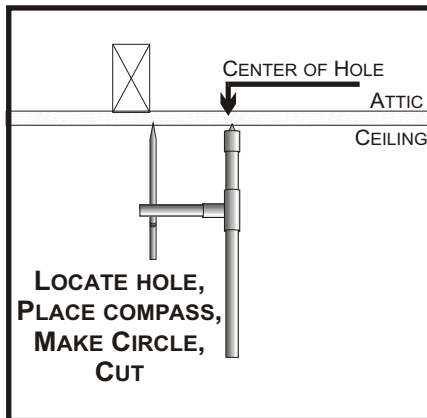


Figure 3

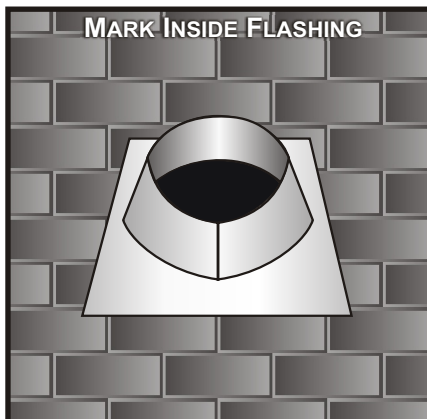


Figure 5

2. At this time prime and paint the top 2 or 3 inches of the pipe exterior so it will be dry at the time of installation. It is important the paint covers the pipe where it comes into contact with the flashing. The flashing may also be primed and painted to match the roof color.

3. Check the length of pipe needed by measuring from the ceiling to the roof plus 1 foot. The best way to do this is to take a probe, (coat hanger or wire) push it up through the ceiling at the location where the **TUBULAR SKYLIGHT™** is to be placed (**Fig. 1**). Now go in the attic and locate the probe, measure this area. Also you need to check that the area is clear of any ducts or pipes. Clear away the insulation from around the probe. Take note where the ceiling joists are in relationship to the probe. Return to the living area of the home.

4. Locate the ceiling joist. The side of the pipe will attach to this ceiling joist. With a drywall saw cut through the ceiling to the ceiling joist (**Fig. 2**). Insert a pencil in the enclosed PVC compass. Use the enclosed compass to locate the center of the hole for the pipe (**Fig 3**). Using the compass keep the center of the compass straight up and down) draw an 8 inch or 13 inch circle on the ceiling. (Depending on the kit you have). If the ceiling is vaulted the compass slides up and down on the center pipe creating an elliptical circle.

5. Proceed by cutting the ceiling hole. Now that the ceiling hole is cut, you will need to locate the roof hole center point to be cut. Plumb from the hole in the ceiling either with a level or a plumb line up to the roof boards and mark the spot (**Fig. 4**). Drill a small hole up through the roof. It may be necessary to push a probe up through the hole to help you locate it from the top of the roof.

6. Locate the roof hole center point on the roof. Place the flashing over the hole as close to the center of the upper opening in the flashing as possible (**Fig 5**). Mark around the inside of the flashing with a crayon or pencil.

7.

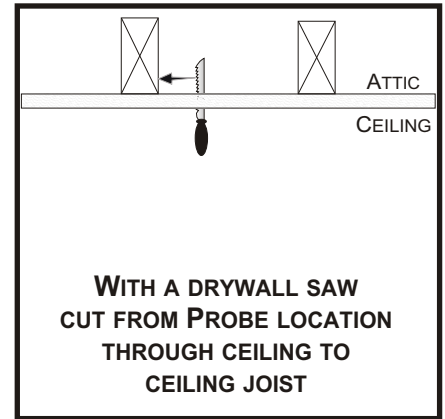


Figure 2

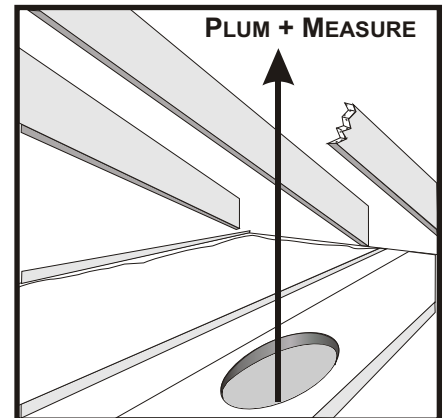


Figure 4

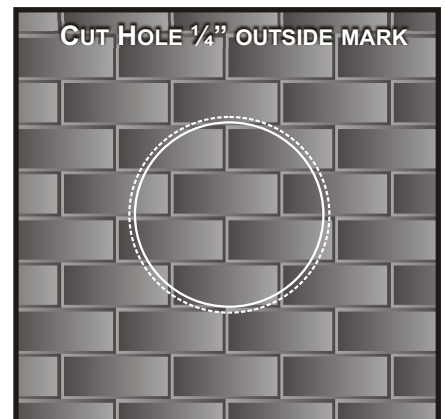


Figure 6

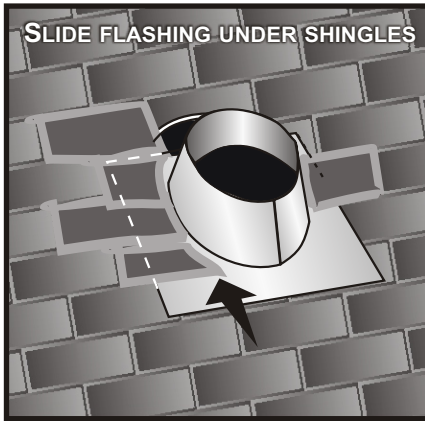


Figure 7

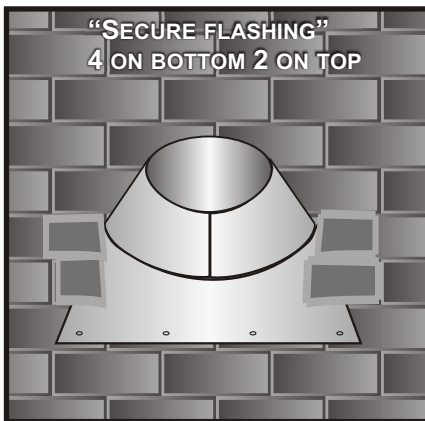


Figure 9

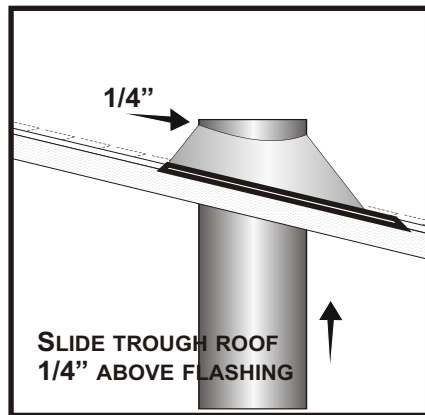


Figure 11

CAULK FLASHING, SEAM & ROOF

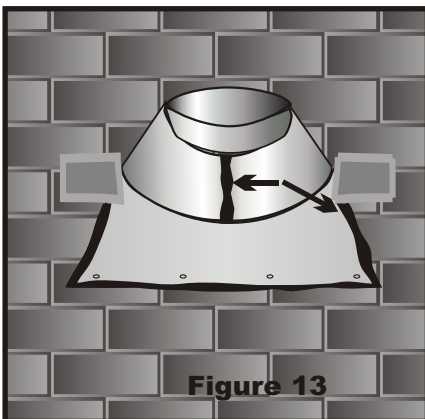


Figure 13

Remove the flashing and cut with your reciprocal saw (about 1/4 of an inch outside of your mark) through the roofing and roof boards (**Fig 6**). It may be necessary to drill a pilot hole to start your cut. Take care not to let the cutout drop through to the ceiling. It can damage your ceiling. Using a putty knife, slide it under the shingles, starting with the lowest shingle that will end up on top of the flashing. Slide putty knife around the hole to locate any nails or staples in the way of the flashing. Remove any nails or staples found. Now slide the flashing under the shingles, taking care as not to damage the black paper under the shingles. Check the fit of the flashing to the hole (**Fig 7**). After checking the fit remove the flashing. Caulk all flashing seams. Turn the flashing upside down. Put two beads of caulk near the center of the flat part of the flashing, all the way around the flashing (**Fig 8**). Turn the flashing over (do not lay the flashing down on the roof). Slide the flashing under the shingles (**Fig 7**), lifting the flashing so you don't spread the caulking on the roof. With the flashing in place, fasten the flashing to the roof with the 6 truss head screws, put 4 screws across the bottom and one at each top corner (**Fig 9**). On the top lift the shingle tab and place the screw under the tab. The 4 screws on the bottom should be screwed in half way. Then place a small amount of caulking on each screw thread and screw them in all the way. This will help prevent leaks from occurring at the screws. You are finished on the roof for now.

7. You will need to prepare the pipe at this time. Lay the pipe on the floor, place the male side of the snap lock into the female side. Make sure the seam is locked in place (slap both sides of the pipe to get it to lock). Using a sharp knife cut along both sides of the snap lock on the inside of the pipe. This will cut the protective film and make it easier to remove. If you are using only one pipe you may remove the protective film later in the installation. If you are using more than one pipe you must remove the protective film at this time. If you are using more than one pipe put them together now. You will need to remove the film from the crimped end of the top pipe and push it up as far as you can, and leave until later, then turn down the film in the lower pipe. To put the two pipes together insert the crimped end of the one pipe in the other pipe, the seams do not need to line up. The two pipes may be fastened together with pop rivets or small screws (this is not necessary). Place duct tape around the seam of the two pipes and press it down tight on the pipe.

8. Now you are ready to install the pipe. Slide the pipe through the hole in the ceiling (**Fig 10**) crimped end down), pushing it up through the ceiling and through the flashing, at least 1/4 of an inch

(**Fig 11**). At this point if you can not push the pipe through the flashing, you will need to trim the

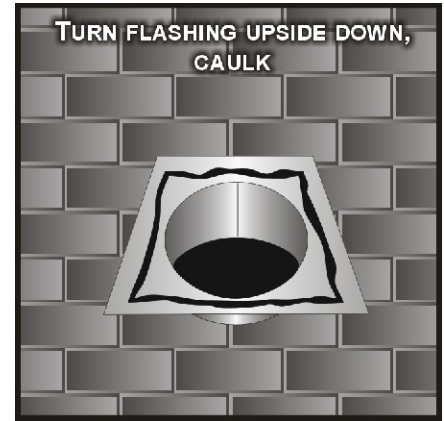


Figure 8

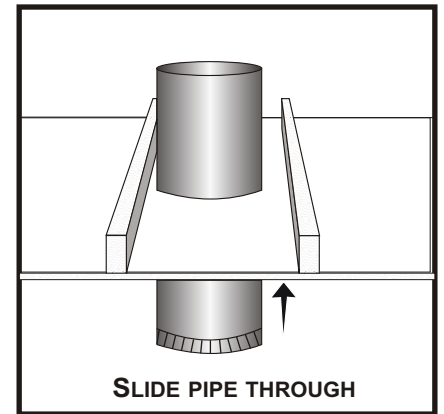


Figure 10

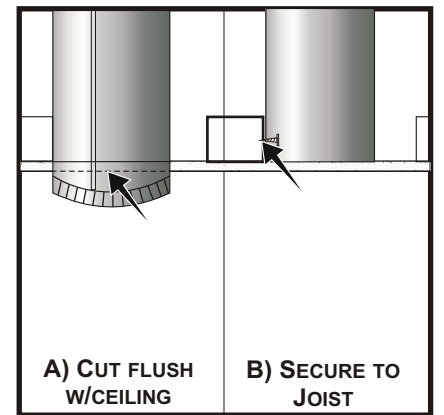


Figure 12

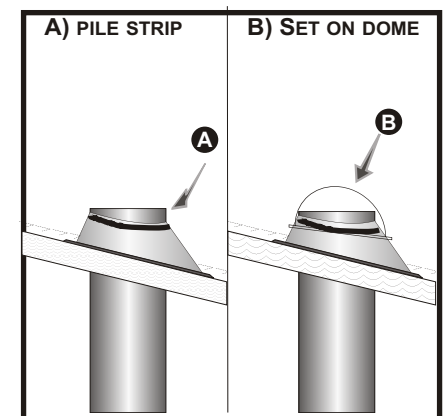


Figure 14

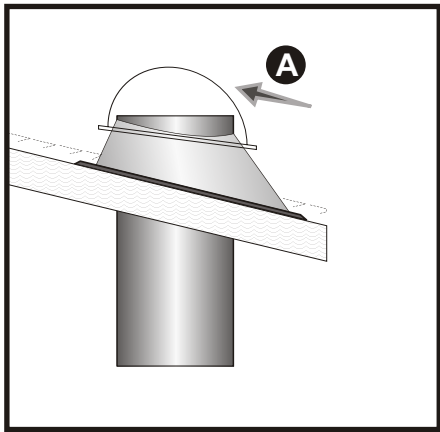


Figure 15

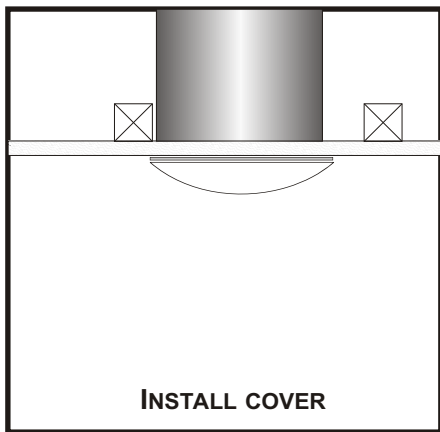


Figure 17

flashing on the roof to allow the pipe to pass through it. The pipe must extend at least 1/4 of an inch above the flashing. It may be necessary to trim the pipe to get it flush with the ceiling. If so, mark around the pipe with a pencil at the ceiling (**Fig 12A**) and mark on the ceiling where the seam is located. This will help to keep the pipe lined up. Now pull the pipe down a little (you may need two pair of pliers to do this) 2 to 3 inches will be enough.

You can take the pipe all the way out if this is easier. Cut around the pipe on your pencil mark with a pair of tin snips. Push the pipe up flush with the ceiling. Be careful!! After cutting the pipe with tin snips it has very sharp edges. With the pipe in place secure the pipe to your ceiling joist with one truss head screw (**Fig 12B**).

9. Return to the roof with the clear acrylic dome and the pile strip seal. (**Fig 13**). Caulk around the flashing where it meets the roofing. Pull the protective film down from the pipe about half way down the pipe. Remove the paper back from the pile strip and place the pile strip around the top of the flashing (**Fig 14A**). Place the clear dome over the top of the flashing taking care not to pull the pile away from the flashing (**Fig 14B**). Now lift any shingle tabs that are loose and place a small bead of caulk along the bottom edge of the shingle to secure the shingle together and to the flashing. Caulk each screw head. Now you are finished on the roof.

11. Back inside the house. Remove the protective film. Remove the paper back from the metal tape, tearing off pieces about 3 inches long and placing them about 1 1/2 inches in the pipe and taping the pipe to the ceiling, overlapping the tape, make sure the crack between the ceiling and the pipe is completely covered. Remove protective film from the clear plastic disk. Place the clear plastic disk over the end of the pipe as close to the center as possible, make sure one of the holes is lined up under the ceiling joist. Mark the other 3 holes, install the screw anchors in the drywall. Remove the paper back from the white foam seal and place it on the clear plastic disk about 1/4 from edge and over the screw holes (**Fig 16**). Install the clear plastic over the pipe with the 4 one-inch screws, tighten the screw to about one half the thickness of the foam seal. Now place the diffuser on the clear plastic disk (**Fig 17**). Turn the diffuser to lock it in place.

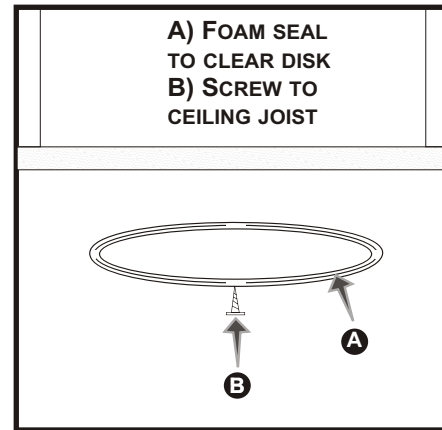


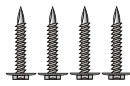
Figure 16

NOW THAT YOU ARE DONE, ENJOY THE LIGHT!

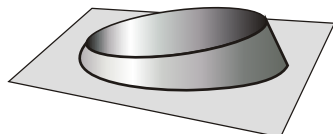
COMPONENT PARTS



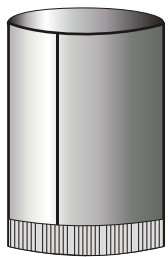
CLEAR ACRYLIC DOME



DOMES TECH SCREWS



GALVALUME ADJUSTABLE FLASHING



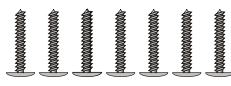
.020 ALUMINUM TUBING WITH SNAP LOCK AND BEAD & CRIMP



INSULATOR DISK



INTERIOR DIFFUSER LENS



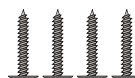
STAINLESS ROOF SCREWS



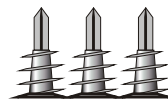
PILE STRIP SEAL



WHITE FOAM SEAL



INSULATOR DISK SCREWS (4 EA.)



EASY ANCHOR DRYWALL ANCHOR (3 EA.)



FOIL TAPE

