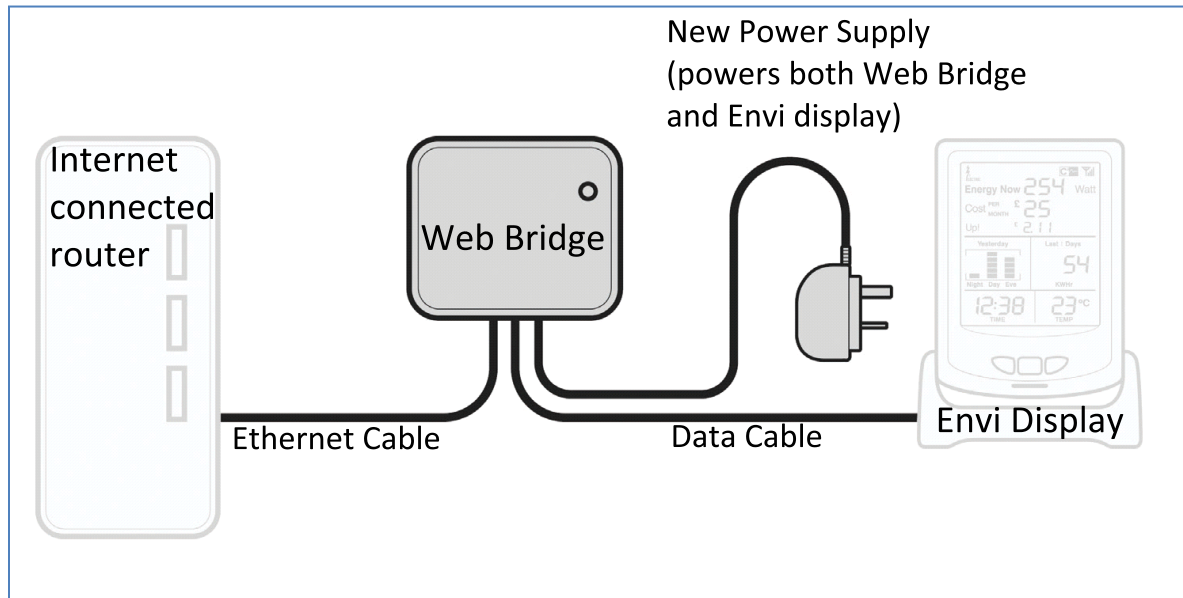


PowerSave Web Bridge Installation Instructions

Thank you for purchasing a Current Cost Web Bridge. This device allows you to send your real time data of energy usage to our web portal and also the option to forward your information to Google PowerMeter, by connecting your Envi monitor to your internet router. With this device you no longer have to have your Envi display connected to your PC or laptop to send real time data information.

How it works



Installation Instructions – It is very important that you follow these instructions in order

1. Disconnect the power supply from your Envi Monitor. The Envi will now be powered by the Web Bridge. Please retain your original Envi power adapter for future use without the web bridge. If you decide to dispose of your Envi's power adapter, please do so in an environmentally friendly manner.
2. Connect the short cable from the bridge to the Envi display.
3. Connect the network cable from the web bridge to your network or broadband router.
4. Connect the new power supply to the web bridge.
5. Go to the following web address and register: <http://currentcost.net/bridgeactivationrequestpage.html>
6. Once registered login to your account
7. Enter the web bridge serial number found on the back of the web bridge and click Activate
8. All done! Your energy usage is posted every 5 minutes.

If you want to send your information to Google PowerMeter, then click on the Google PowerMeter link under the devices tab.

For more information on the Web Bridge or Envi monitor please visit www.powersave.us and click on technical support.