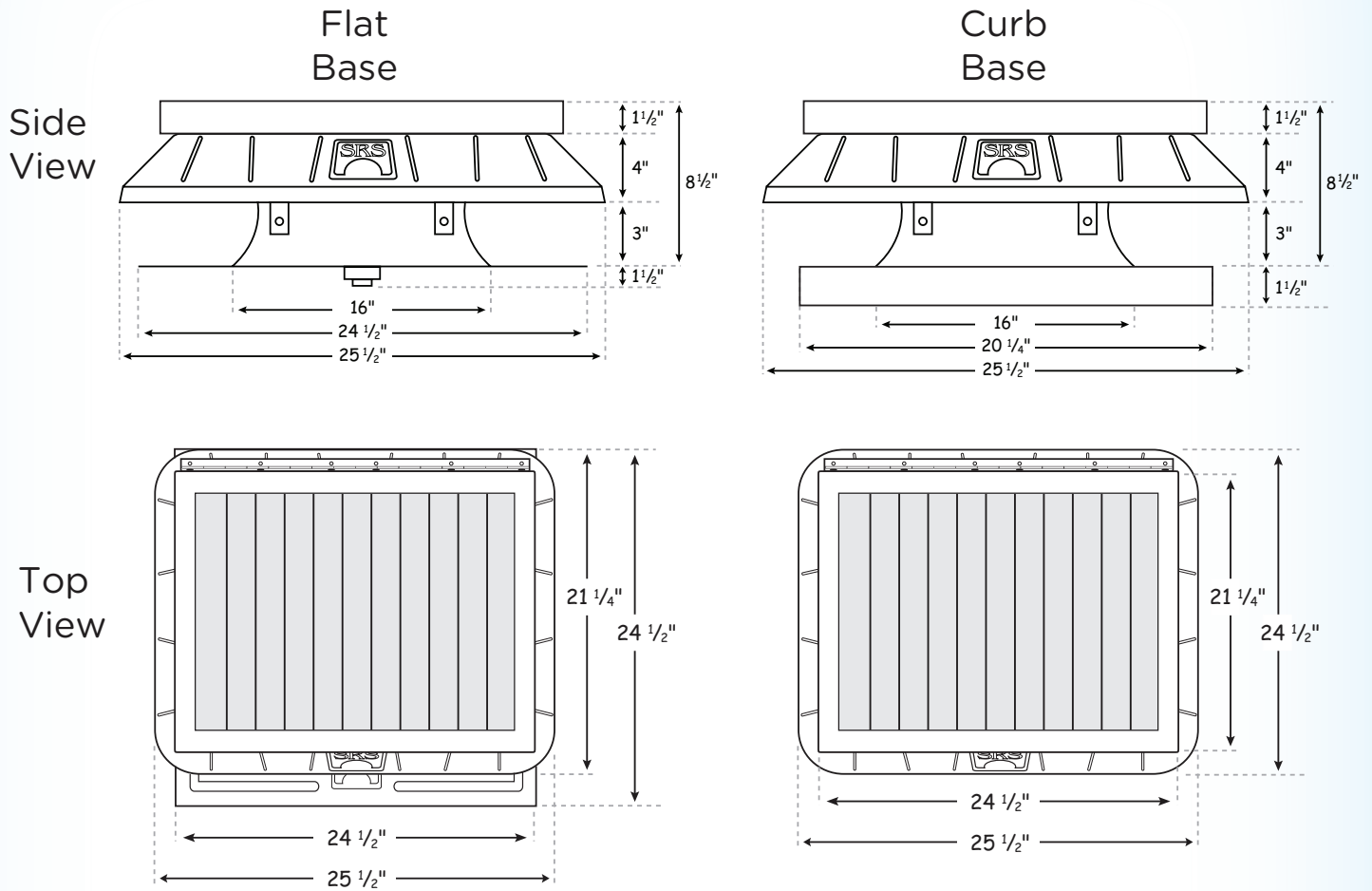


The SunRise® Attic Fan Tilt Panel Model



Features:

Solar Panel: Impact resistant crystalline with tempered glass surface and black anodized aluminum frame. Can be tilted from 0° to 60° in 5° increments

Motor: Ultra quiet, DC with external brushes

Wire: 18/2 red/black.

Fan Blade: 12" diameter, 5-blade aluminum with balanced hub

Hardware: Stainless steel motor brackets, fasteners, and screen, aluminum rivets

Top and Base: UV-Stabilized ABS plastic (paintable)

Airflow: The more intense the sun shines, the faster the SunRise runs

Warranty: 5 Year Warranty on Motor
10 Year Warranty on Panel

Unit Dimensions: Height 8.5", Top 25.5" x 21.25"

Base Size: 24.5" x 24.5"

Unit Weight: 23 lbs

Shipping Weight: 25 lbs

Package Size: 27.25" x 25.5" x 11.25" wide

Available Models: FB 1600 TLT

FB 1600 TLT FT*

CB 1600 TLT

CB 1600 TLT FT*

* FT: Optional fixed thermostat turns fan on at 80° and off at 65° during daylight hours