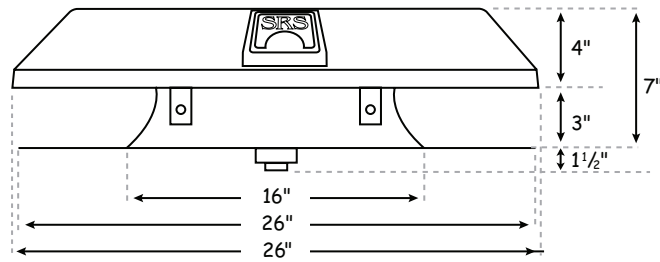
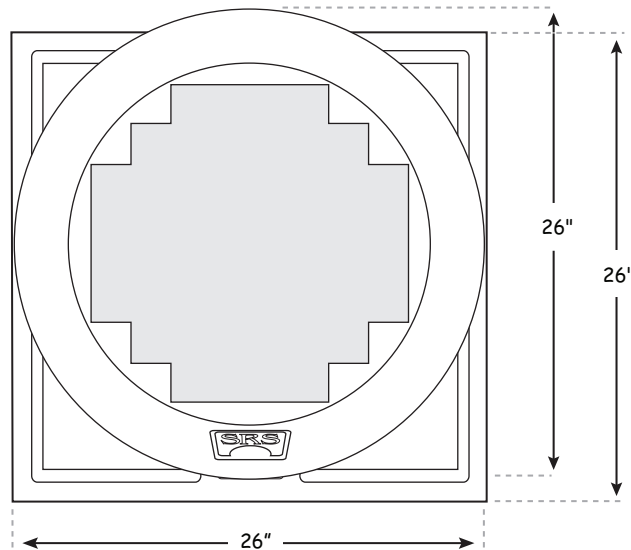


The SunRise® Attic Fan Round Panel Model

Side View



Top View



Features:

Solar Panel: Impact resistant crystalline with tempered glass surface

Motor: Ultra quiet, DC with external brushes.

Wire: 18/2 red/black

Fan Blade: 12" diameter, 5-blade aluminum with balanced hub

Hardware: Stainless steel motor brackets, fasteners, and screen, aluminum rivets

Top and Base: UV-Stabilized ABS plastic (paintable)

Airflow: The more intense the sun shines, the faster the SunRise runs

Warranty: 5 Year Warranty on Motor
10 Year Warranty on Panel

Unit Dimensions: Height 7", Top diameter 26"

Base Size: 26" x 26"

Unit Weight: 19 lbs

Shipping Weight: 21 lbs

Package Size: 27" x 27" x 11" wide.

Available Models: RFB 1250

RFB 1250 FT*

* FT: Optional fixed thermostat turns fan on at 80° and off at 65° during daylight hours