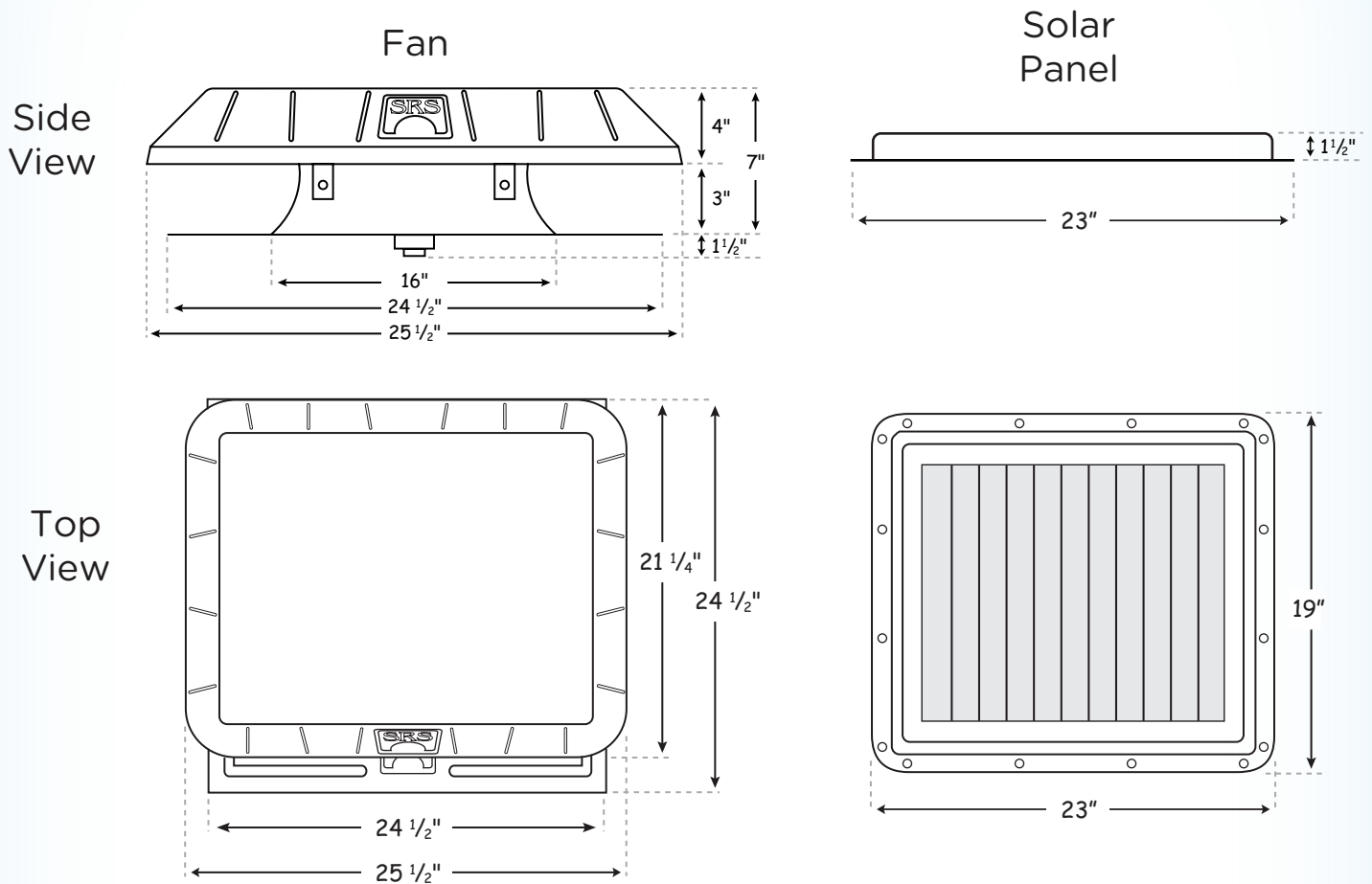


The SunRise® Attic Fan Remote Panel Model



Features:

Solar Panel: Impact resistant, crystalline with tempered glass surface in self-flashing ABS mounting tray

Motor: Ultra quiet, DC with external brushes

Wire: 18/2 red/black

Fan Blade: 12" diameter, 5-blade aluminum with balanced hub

Hardware: Stainless steel motor brackets, fasteners, and screen, aluminum rivets

Top and Base: UV-Stabilized ABS plastic (paintable)

Airflow: The more intense the sun shines, the faster the SunRise runs

Unit Dimensions: Height 7", Top 25.5" x 21.25"

Warranty: 5 Year Warranty on Motor
10 Year Warranty on Panel

Base Size: 24.5" x 24.5"

Unit Weight: 20 lbs

Shipping Weight: 22 lbs

Package Size: 27.25" x 25.5" x 11.25" wide

Available Models: FB 850 RP, FB 850 RP FT*

FB 1050 RP, FB 1050 RP FT*

FB 1250 RP, FB 1250 RP FT*

FB 1600 RP†, FB 1600 RP FT*†

* FT: Optional fixed thermostat turns fan on at 80° and off at 65° during daylight hours

† 1600 model has aluminum framed solar panel and (4) aluminum "L" brackets for mounting the panel to the roof