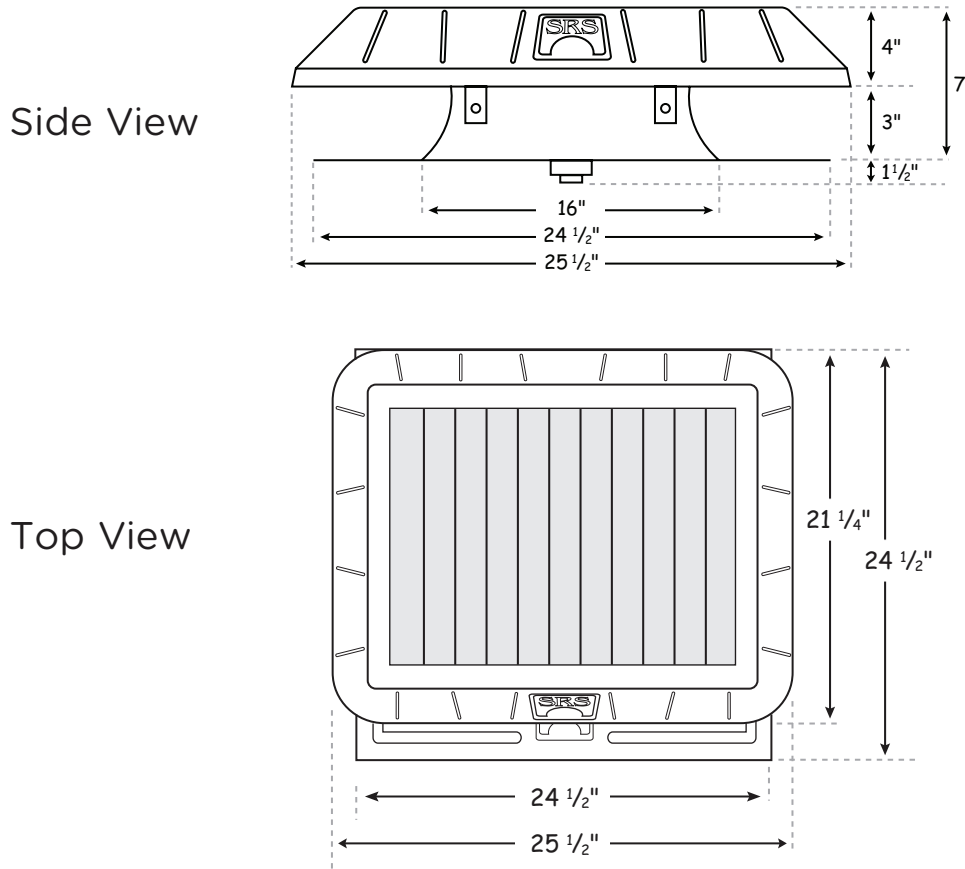


# The SunRise® Attic Fan Flat Base Model



## Features:

**Solar Panel:** Impact resistant crystalline with tempered glass surface

**Motor:** Ultra quiet, DC with external brushes

**Wire:** 18/2 red/black

**Fan Blade:** 12" diameter, 5-blade aluminum with balanced hub

**Hardware:** Stainless steel motor brackets, fasteners, and screen, aluminum rivets

**Top and Base:** UV-Stabilized ABS plastic (paintable)

**Airflow:** The more intense the sun shines, the faster the SunRise runs

**Warranty:** 5 Year Warranty on Motor  
10 Year Warranty on Panel

**Unit Dimensions:** Height 7", Top 25.5" x 21.25"

**Base Size:** 24.5" x 24.5"

**Unit Weight:** 17 lbs

**Shipping Weight:** 19 lbs

**Package Size:** 27.25" x 25.5" x 11.25" wide

**Available Models:** FB 850, FB 850 FT\*

FB 1050, FB 1050 FT\*

FB 1250, FB 1250 FT\*

FB 1600, FB 1600 FT\*

\* FT: Optional fixed thermostat turns fan on at 80° and off at 65° during daylight hours