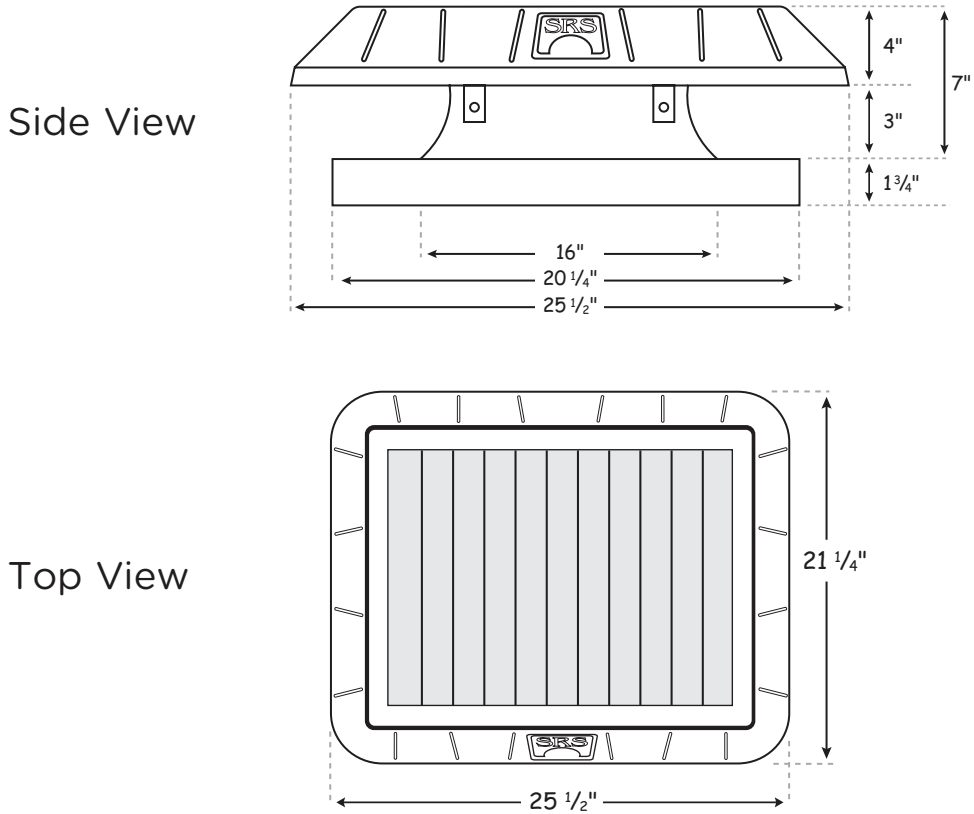


# The SunRise® Attic Fan Curb Base Model



## Features:

- Solar Panel:** Impact resistant, crystalline with tempered glass surface
- Motor:** Ultra quiet, DC with external brushes
- Wire:** 18/2 red/black
- Fan Blade:** 12" diameter, 5-blade aluminum with balanced hub
- Hardware:** Stainless steel motor brackets, fasteners, and screen, aluminum rivets
- Top and Base:** UV-Stabilized ABS plastic (paintable)
- Airflow:** The more intense the sun shines, the faster the SunRise runs
- Warranty:** 5 Year Warranty on Motor  
10 Year Warranty on Panel

- Unit Dimensions:** Height 7", Top 25.5" x 21.25"
- Base Size:** 20.25" x 20.25"
- Unit Weight:** 16 lbs
- Shipping Weight:** 18 lbs
- Package Size:** 27.25" x 25.5" x 11.25" wide
- Available Models:** CB 850, CB 850 FT\*  
CB 1050, CB 1050 FT\*  
CB 1250, CB 1250 FT\*  
CB 1600, CB 1600 FT\*  
CB 1600 TLT, CB 1600 TLT FT\*

\* FT: Optional fixed thermostat turns fan on at 80° and off at 65° during daylight hours