



SuperStor Contender Water Heaters

JOB NAME:

LOCATION:

ARCH./ENGR.:

WHOLESALE:

MECH. CONTRACTOR:

MODEL NUMBER:

NOTES:

High Efficiency Heat Exchanger

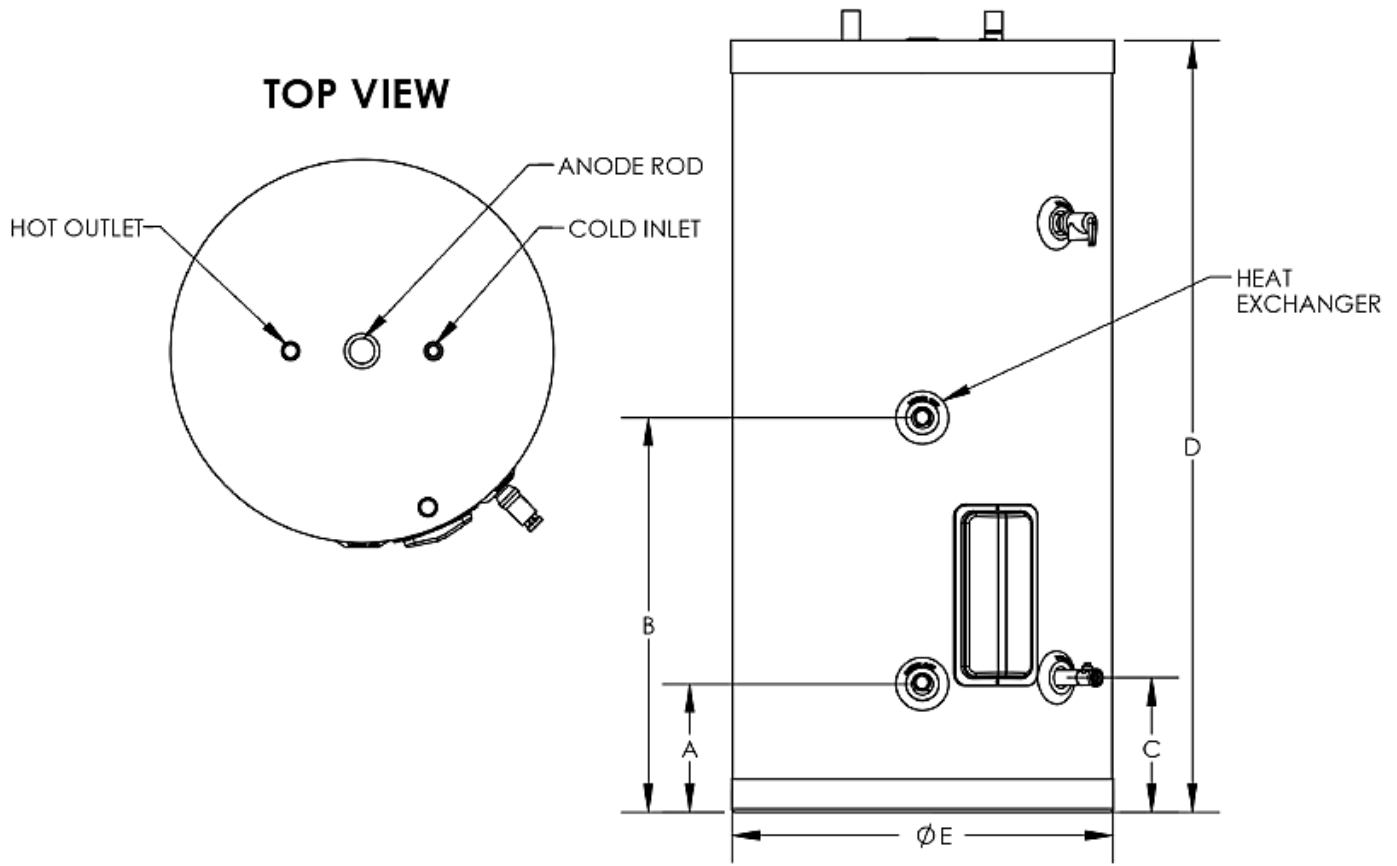
- Specially formulated Enamel Flow Coated steel heat exchanger provides maximum heat transfer of energy to domestic water and corrosion resistance
- Low pressure drop
- Gasketless heat exchanger design
- 1" NPT heat exchanger outlet size – all models

Glass-Lined Tank

- Specially formulated Enamel Flow Coat guarantees 100% tank coverage, ensuring no exposed welds
- Insulated with environmentally safe, CFC free, water-blown, extra thick foam insulation.
- Allows less than ½ degree Fahrenheit per hour heat loss
- Outer shell constructed of grey finished durable plastic for rust and impact resistance
- ¾" NPT inlet and outlet domestic connection size for 30 and 50 gallon models – 1 ½" NPT for 80 and 119 gallon models
- Included temperature and pressure relief valve
- Surface mounted control for accurate current temperature measurement inside vessel

Additional Features

- Oversized anode rod protects tank from corrosion
- Limited warranty – 7 years residential and 5 years commercial coverage
- Lead Free Compliant, as required by the Safe Drinking Water Act, Section 1417



MODEL	A	B	C	D	E	DOMESTIC CONNECTIONS	HEAT EXCHANGER CONNECTIONS	CAPACITY U.S. GALLONS	SHIPPING WEIGHT
SSC-35	8"	18"	8-1/2"	36-1/4"	23"	3/4" NPT-M	1" NPT	35	141 LBS
SSC-50	7-1/2"	25-1/2"	8-1/4"	46-1/2"				50	172 LBS
SSC-80	7-3/4"	25-3/4"	8-1/2"	71-1/4"				80	232 LBS
SSC-119	10-1/8"	21-1/4"	10-1/2"	67"	28"	1-1/2" NPT-M		119	300 LBS

MODEL	HEAT EXCHANGER		FIRST HR RATINGS		TEST PRESSURE	WORKING PRESSURE
	RECOMMENDED FLOW RATE	PRESSURE DROP (FT)	140°F	115°F		
SSC-35	8 GPM	5.62	112	152	300 PSI	150 PSI
SSC-50		5.82	190	258		
SSC-80		5.45	198	270		
SSC-119		14.6	268	364		

LP-65-Q
01/05/15

NOTE: TANK RECOVERY FROM COLD START WILL BE BETWEEN 10-13 MINUTES WHEN SIZED WITH CORRECT FLOW RATE. BOILER SIZE AND PRESURE DROP RATINGS FROM LIST IN ABOVE CHART. THE MASS OF THE BOILER WILL AFFECT RECOVERY TIME. MORE BOILER MASS EQUALS LONGER RECOVERY TIME.