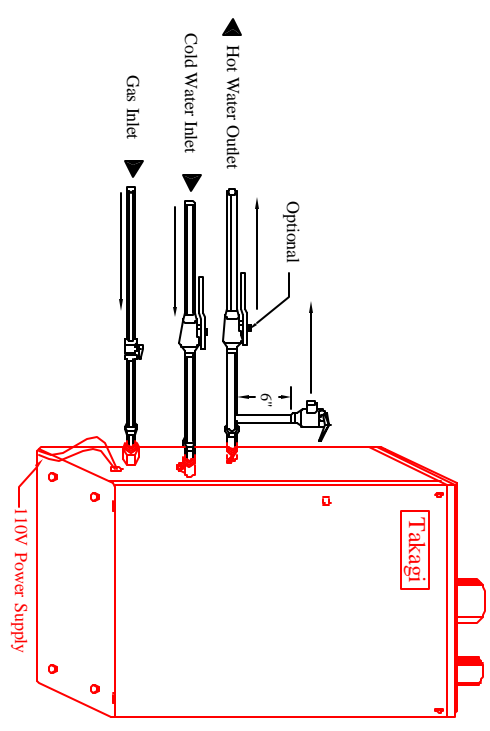


A T-KD20 System

QTY	Basic Application Specs.
1	T-KD20
1	TK-TV03
1	TK-RE01 Optional



Note: This drawing is intended as a basic guide. Local and State Codes dictate correct installation. Each individual application and gas pipe diameter must be sized correctly.

<p>Takagi USA 3-B Goodyear Irvine, CA 92618 Phone: (888) 882-5244 Fax: (949) 770-3171 www.Takagi-USA.com</p>		<p>Note: This drawing is intended as a basic guide. Local and State Codes dictate correct installation. Each individual application and gas pipe diameter must be sized correctly.</p>	
	<p>Min. Ø 3/4" Gas Shut-off Ball Valve</p>		<p>Pressure Only Relief Valve</p>
	<p>Water Shut-off Ball Valves</p>		<p>Unions</p>