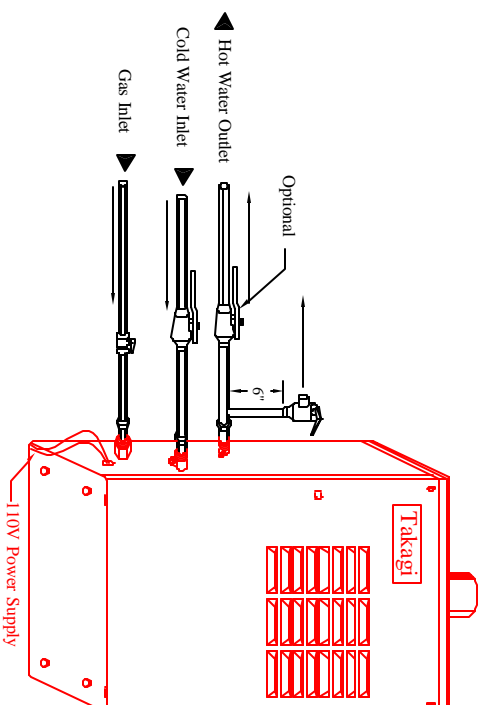


A T-K2 or T-K1S System

QTY	Basic Application Specs.
1	T-K2 or T-K1S
1	TK-TV03
1	TK-RE 01 Optional



Takagi USA

3-B Goodyear
 Irvine, CA 92618
 Phone: (888) 882-5244
 Fax: (949) 770-3171
 www.Takagi-USA.com

Note: This drawing is intended as a basic guide. Local and State Codes dictate correct installation. Each individual application and gas pipe diameter must be sized correctly.

	Min. Ø 3/4" Gas Shut-off Ball Valve		Pressure Only Relief Valve
	Water Shut-off Ball Valves		Unions