



FOR COMMERCIAL WATER HEATING APPLICATIONS

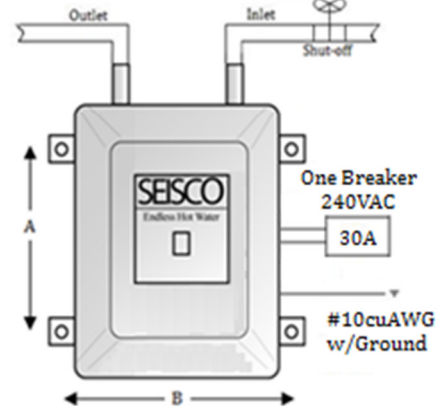
Model CA-07

Two-Chamber Tankless Electric Water Heater

Description: The CA-07 is excellent for specialized applications such as coffee bars, office and warehouse wash sinks and lavatory faucets. Applications in modular homes and as a supplement to existing tank and gas tankless heaters. The temperature activated control works effectively in recirculating systems and in combination with preheated water. Requires one 30AMP, 240VAC electrical circuit.

Features:

- UL 499 Listed for Water Heating Applications
- No minimum flow required for activation
- Built-in DSM Utility Integration option
- Compatible with Home Energy Management
- Very small & compact with no moving parts
- Lightweight modular construction
- Standard 3/4 inch plumbing connections with no flow restrictions
- Compatible with all plumbing designs including recirculating, tubing and manifold systems
- Microprocessor digital control
- Power sharing power control technology
- Heats continuously and only when needed
- Self-diagnostics with redundant safety devices
- High performance DuPont polymer nylon chamber material
- Built-in leak detection and alarm
- Rust & corrosion resistant



Specifications:

Heat Output (max.): **23,890 BTU**
 Power Rating (max.): **7 KW**
 Voltage Rating (Nominal): **240 VAC**
 Current Rating (max.): **29 AMPS**
 Panel Load Factor (40%): **12 AMPS**
 Energy Factor: **0.99+**
 Heating Elements: **3500 watts x 2**
 Circuits Required: **1 ea. 2-wire w/ ground (#10cuAWG)**
 Breakers Required: **One (1), double-pole**
 Breaker Size: **30 AMPS each x 1**
 Temp. Output (dial): **90F to 130F (32C - 52C)²**

²Temperature factory set to 120F (49C) – Contact SEISCO for higher temperature applications.

Flow Ratings:

Rise (°F)
@ Flow (GPM)
 64°F @ 0.75 GPM
 48°F @ 1.0 GPM
 32°F @ 1.5 GPM
 24°F @ 2.0 GPM

Rise (°C)
@ Flow (LPM)
 34°C @ 3 LPM
 25°C @ 4 LPM
 17°C @ 6 LPM
 12°C @ 8 LPM

Mounting Holes:

A: 14 3/4" (362mm)
 B: 10 7/8" (276mm)

Dimensions:

Weight: 15 lbs. (7.0 kg)
 Height: 15 3/4" (400mm)
 Width: 10 1/4" (260mm)
 Depth: 6 1/4" (159mm)
 Fittings: 3/4" (200mm)

Approvals:

UL CSA NSF HUD NEC