



Model CA-28-208

Four-Chamber Tankless Electric Water Heater

Description: The CA-28-208 provides a continuous supply of hot water in applications where a 30 to 50 gallon tank water heater would typically be used and 208V service is required. Ideal for the whole house and light commercial applications such as: offices, specialty restaurants, convenience stores, salons and pet-grooming shops. This on-demand tankless water heater is a powerful replacement for traditional tank-type heaters or for use as a booster to a traditional tank water heater or active renewable energy systems such as solar and geothermal water heating systems. The temperature activated control works effectively in recirculating systems or in combination with tank-type heaters to supply special requirements like body spas or roman tub fillers. A minimum 150 AMP whole-house electrical service is typically required.

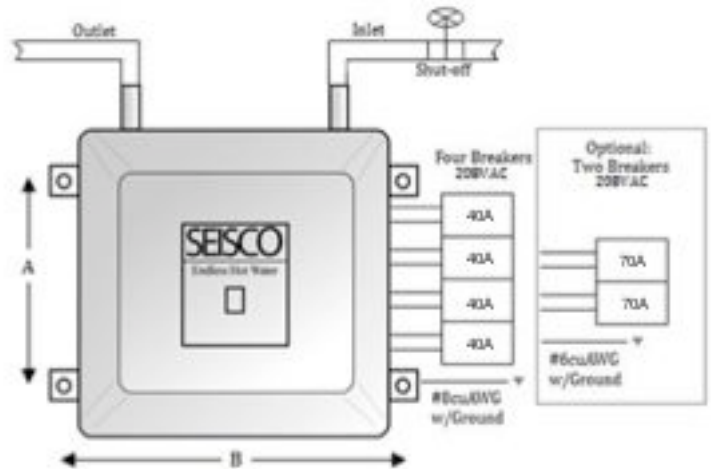
Features:

- UL 499 Listed for Water Heating Applications
- No minimum flow required for activation
- Built-in DSM Utility Integration option
- Compatible with Home Energy Management
- Very small & compact with no moving parts
- Lightweight modular construction
- Standard 3/4 inch plumbing connections with no flow restrictions
- Compatible with all plumbing designs including recirculating, tubing and manifold systems
- Microprocessor digital control
- Power sharing power control technology
- Heats continuously and only when needed
- Self-diagnostics with redundant safety devices
- High performance DuPont polymer nylon chamber material
- Built-in leak detection and alarm
- Rust & corrosion resistant

Specifications:

Heat Output (max.): **95,560 BTU**
 Power Rating (max.): **28KW**
 Voltage Rating (Nominal): **208 VAC**
 Current Rating (max.): **135 AMPS**
 Panel Load Factor (40%): **54 AMPS**
 Energy Factor: **0.99+**
 Heating Elements: **7000 watts x 4**
 Circuits Required: **4 ea. 2-wire w/ ground (#8cuAWG)**
 Breakers Required: **Four (4), double-pole**
 Breaker Size: **40 AMPS each x 4 (Optional 70 x2)¹**
 Temp. Output (dial): **90F to 130F (32C - 52C)²**

¹ Install included jumpers on control board for this option and use 2 ea 2-wire circuits w/ground #6cuAWG
² Temperature factory set to 120F (49C)



Flow Ratings:
Rise (°F)
@ Flow (GPM)
95°F @ 2.0 GPM
76°F @ 2.5 GPM
64°F @ 3.0 GPM
48°F @ 4.0 GPM
Rise (°C)
@ Flow (LPM)
50°C @ 8 LPM
40°C @ 10 LPM
33°C @ 12 LPM
25°C @ 16 LPM

Mounting Holes:
 A: 14 3/4" (362mm)
 B: 16 1/8" (410mm)

Dimensions:
 Weight: 23 lbs. (10.4 kg)
 Height: 15 3/4" (400mm)
 Width: 15 3/4" (400mm)
 Depth: 6 1/4" (159mm)
 Fittings: 3/4" (200mm)

Approvals:
 UL NSF HUD NEC
 (Not approved for Canada)