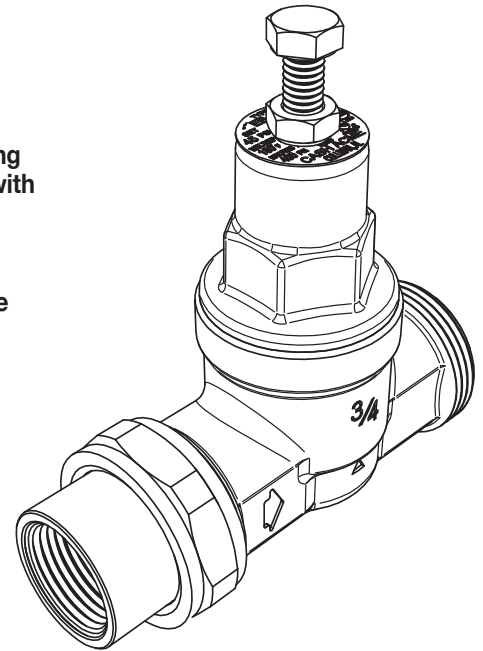


# EB-45 Compact Pressure Reducing and Regulating Valve

## DESCRIPTION

The compact EB-45 Series is a half-cartridge based pressure reducing and regulating valve with a lead free bronze body. The valve resembles the traditional regulators with a spring chamber and an adjusting screw, but offers the performance of a cartridge based valve. The EB-45 is assembled using modular construction methods and features end connections threaded for both FIP and union. These valves are supplied by the factory with a standard delivery setting of 45 psi. The outlet pressure can be adjusted from 10-70 psi without changing the spring.

The compact EB-45 is intended for use where supply line pressure does not exceed 400 psi. This regulator is suited for either cold or hot (to 180°F) water service. All models are lead free.\*



## FEATURES AND BENEFITS

Compact pressure reducing and regulating valves:  
*Designed for small and economic considerations.*

Certified to ASSE Standard 1003 and listed by IAPMO and ASSE:  
*Inspector Friendly, peace of mind.*

By-pass mechanism integral with the cartridge:  
*No add-on or small parts, longer life and more reliable performance.*

Quick and Easy service:  
*Back off pressure and remove spring chamber, pressure spring and button and replace cartridge and you have a new valve.*

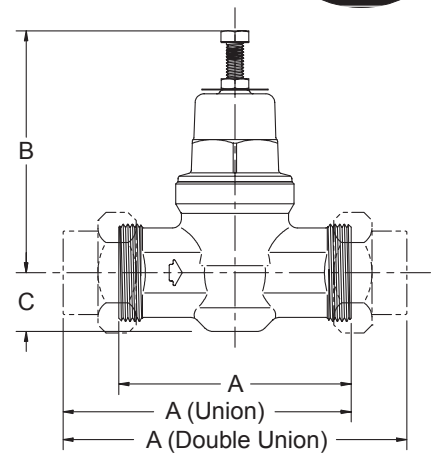
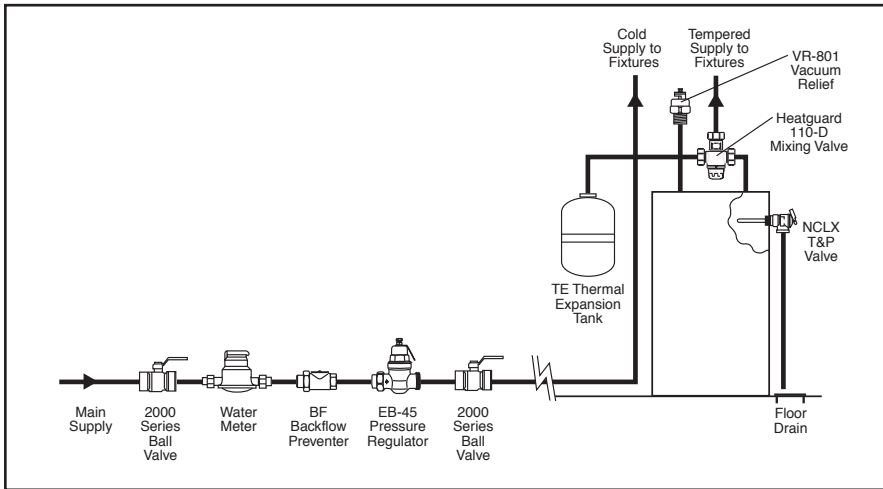
Every valve is tested for performance prior to shipping:  
*Specify and install with confidence.*

## SPECIFICATION

A pressure regulating valve shall be installed to reduce high supplies of incoming water pressure. The valve shall be approved in accordance with ASSE standard 1003 and IAPMO. The valve shall have a bronze body, brass and stainless steel internals, an EP diaphragm, stainless steel strainer screen and an inbuilt back-pass check. The valve shall be a Cash Acme EB-45.

# EB-45 Compact Pressure Reducing and Regulating Valve

## TYPICAL INSTALLATION



Valve Size	A	B	C
1/2"	3.23	4.37	0.75
3/4"	3.39		
1/2" Union	3.99	4.37	0.87
3/4" Union	4.15		
1/2" Double Union	4.76		
3/4" Double Union	4.92		

## SPECIFICATION DATA

### Performance:

Maximum temperature . . . . . 180°F (water)  
 Maximum inlet pressure . . . . . 400 psi  
 Service . . . . . Water  
 Outlet pressure range . . . . . 10-70 psi

### Materials:

Body . . . . . Bronze  
 Spring Chamber . . . . . Engineered Polymer  
 Adjusting Spring . . . . . Steel (zinc plated)  
 Pressure Plate . . . . . Steel (zinc plated)  
 Diaphragm . . . . . EPDM  
 Body Seat . . . . . Engineered Polymer  
 Seat Disc . . . . . EPDM  
 Piston . . . . . Brass  
 Strainer Screen . . . . . Stainless steel  
 O-ring . . . . . EP

### WATER CAPACITY (GPM)

Pipe Size	P <sub>2</sub> Variation (PSI)	Differential Pressure P <sub>1</sub> -P <sub>2</sub> (psi)			
		10	25	50	100+
1/2" & 3/4"	5	1.8	2.3	2.4	2.8
	10	4.8	5.3	6.0	8.9
	15	9.1	10.0	10.9	11.8
	20	14.3	15.8	16.5	16.6

## CONNECTIONS

All EB45 models include both FIP and union connection threading on both ends.

Threaded (NPT) Inlet & Outlet . . . . . 1/2", 3/4"  
 Threaded (NPT) Union, Threaded (NPT). . . . . 1/2", 3/4"  
 Sweat Copper Union, Threaded (NPT). . . . . 1/2", 3/4"  
 Threaded (NPT) Union Inlet & Outlet. . . . . 1/2", 3/4"  
 Sweat Copper Union Inlet & Outlet. . . . . 1/2", 3/4"  
 SharkBite® Push-Fit Connection Union Inlet & Outlet . . 1/2", 3/4"  
 CPVC Union Inlet & Outlet. . . . . 3/4"  
 PEX Barb Union Inlet & Outlet . . . . . 3/4"

## CERTIFICATIONS

Cash Acme Type EB-45 Pressure Regulators are certified to ASSE 1003 and CSA B356 and are listed by ASSE and IAPMO (cUPC).

\* For all models, surfaces that are in contact with consumable water contain less than 0.25% lead by weight.