
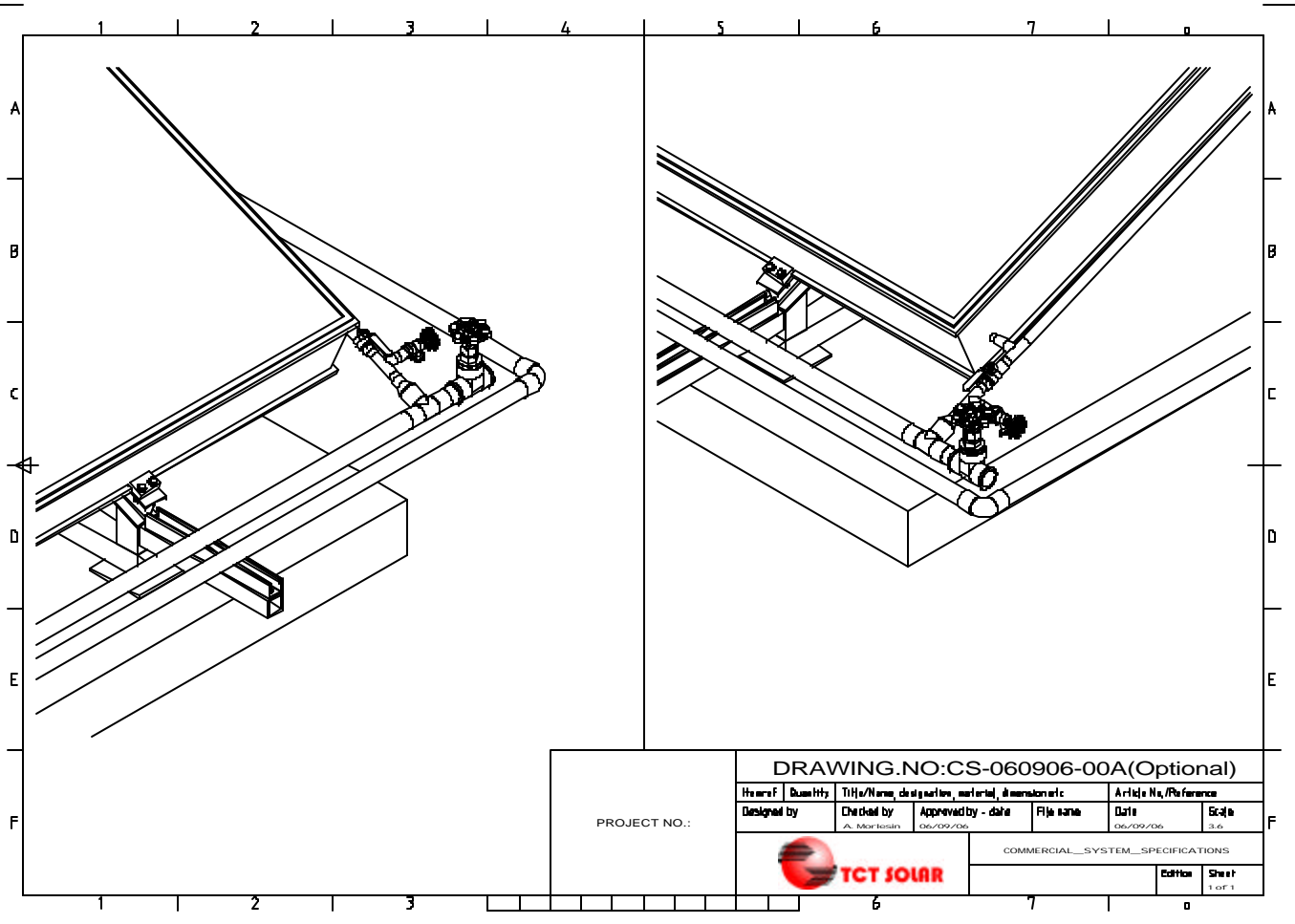



PROJECT NO.:		DRAWING.NO:CS-060906-00A					
Designed by	Checked by	Approved by - date	File name	Date	Scale	Article No./Reference	
		06/09/06		06/09/06	3:6		
				COMMERCIAL_SYSTEM_SPECIFICATIONS			
				Edition	Sheet		
					1 of 1		



PROJECT NO.:		DRAWING.NO:CS-060906-00A(Optional)					
Designed by	Checked by	Approved by - date	File name	Date	Scale	Article No./Reference	
	A. Marbasi	06/09/06		06/09/06	3:6		
				COMMERCIAL_SYSTEM_SPECIFICATIONS			
				Edition	Sheet		
					1 of 1		