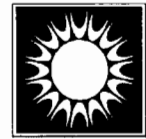


# FLORIDA SOLAR ENERGY CENTER

1679 CLEARLAKE ROAD, COCOA, FLORIDA 32922-5703 (321) 638-1000



## Approved Solar Energy System

FSEC # S9095

Approval Date: JUL 1996

Revision Date: JAN 2004

---

### DISTRIBUTOR

---

Thermal Conversion Technology  
101 Copeland Street  
Jacksonville, Florida 32204

---

### SYSTEM

---

ProgressivTube  
PT-35-CN

This system was evaluated by the Florida Solar Energy Center (FSEC) in accordance with the Florida Standards Program For Solar Domestic Water and Pool Heating Systems (FSEC-GP-7-80) and was found to meet the minimum standards established by FSEC.

The calculated Florida Energy Factors for this system are:

	North	South/Central
	2.6	2.9

## Description

Collector Manufacturer	Model Number	Units	Total Rating (Btu)
1. Thermal Conversion Tech.	PT-35-CN	1	22,400*

\*  $Q_{NET}$  based on FSEC Solar System Test

Tank Manufacturer	Model Number	Capacity (gal)	Type: Direct
1. Integral Storage		35	

Pump Manufacturer	Model Number	Power Draw (Watts)	Rated Power
1. None			

Controller Manufacturer	Model Number	Type:
1. None		

---

### Freeze Protection

---

1. Thermal mass
2. Manual draining

---

### Other Major Components

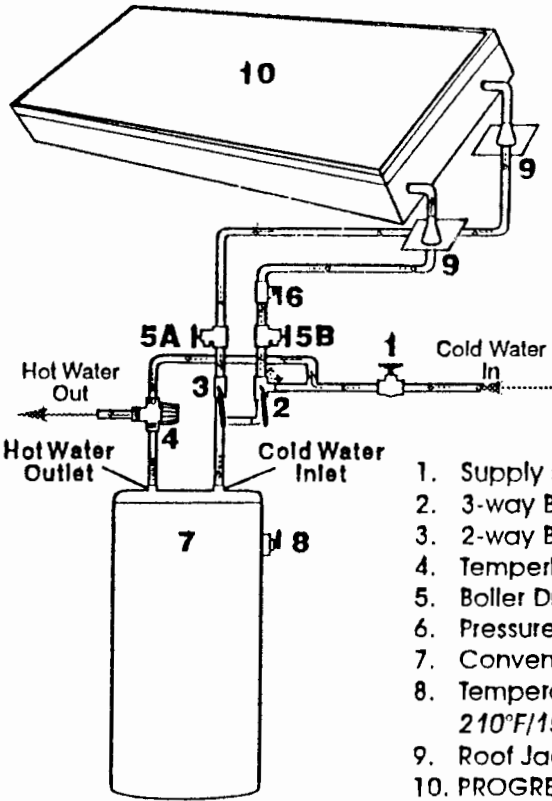
---

1. None

If further information is required you may contact the Florida Solar Energy Center at the above address.

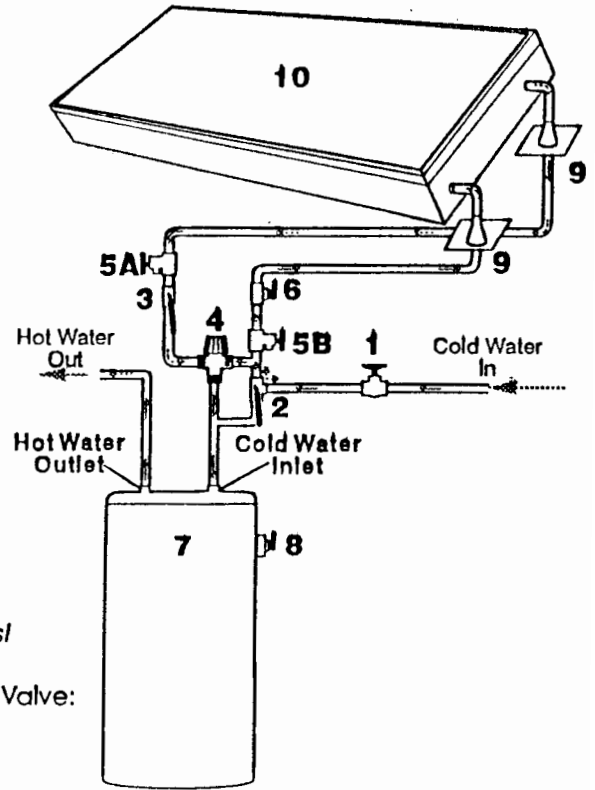
# SYSTEM PLUMBING DIAGRAMS

## PRE-HEATER SOLAR SYSTEMS



**2-WAY SYSTEM  
FOR ELECTRIC WATER HEATERS**

1. Supply shut off valve
2. 3-way Ball Valve: *Bronze*
3. 2-way Ball Valve: *Bronze*
4. Tempering Valve
5. Boiler Drains: *Bronze*
6. Pressure Relief Valve: *150 psi*
7. Conventional Water Heater
8. Temperature/Pressure Relief Valve: *210°F/150 psi*
9. Roof Jacks
10. PROGRESSVTUBE®



**2-WAY SYSTEM  
FOR GAS WATER HEATERS**