

# MFR *SOLAR VALVE*



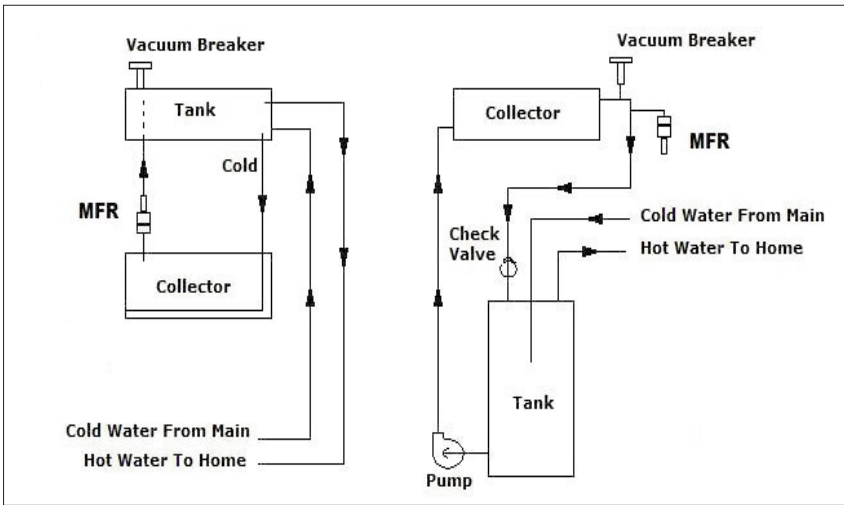
## **Design Features**

Brass Body  
Stainless Steel and Brass  
Internal Components  
Long life silicone plug seal  
Corrosion resistant  
Ogontz thermal actuator  
Maximum operating pressure  
120 Psig [8.3 bar]

## **Benefits**

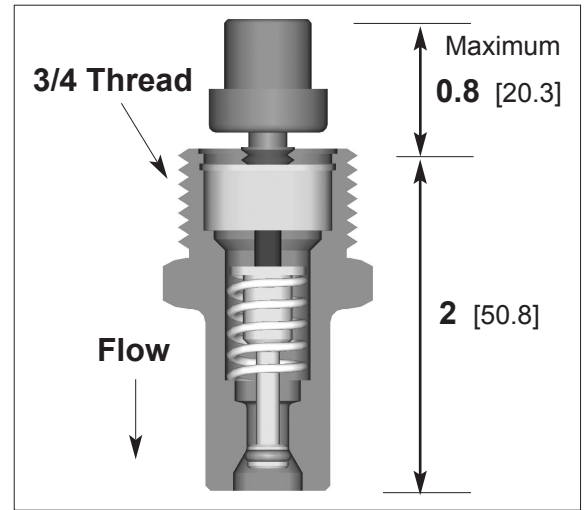
Easy installation  
Reliable, unattended operation  
Minimal maintenance  
Provides effective control

# Specification and Ordering Information



**Thermosiphon System**  
Temperature Control

**Active Open Loop**  
Over Temperature



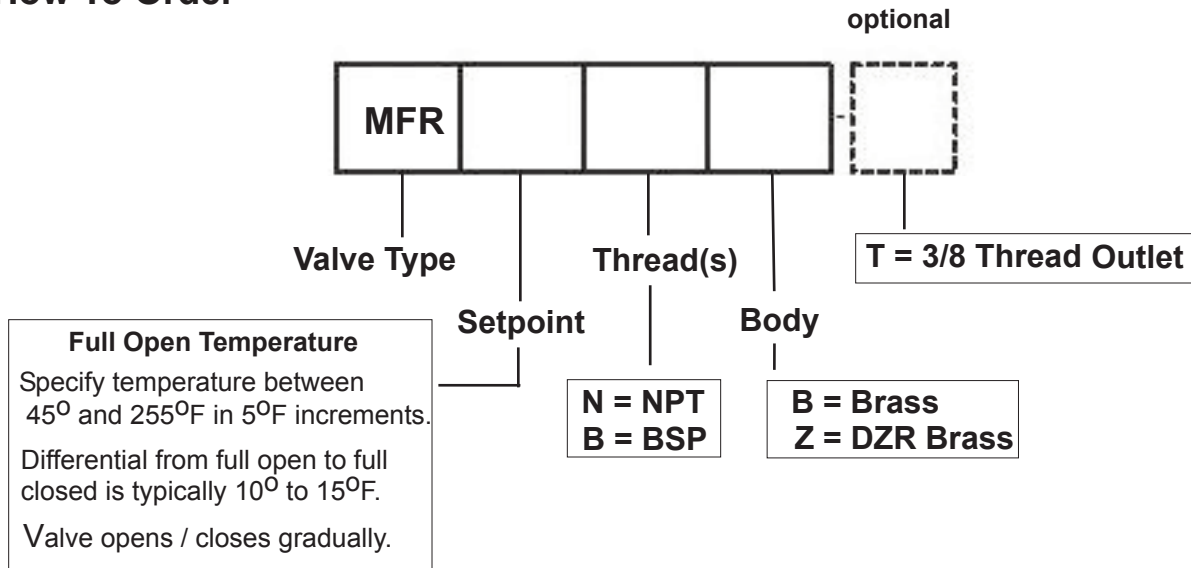
Dimensions in inch [mm]

## Valve Operation

Example: Model MFR160 starts to open when water temperature is 148°F [64.4°C]. Valve is fully open at 160°F [71.1°C]. As water temperature lowers, valve starts to close, and is fully closed by 145°F [62.7°C].

Maximum Pressure psig [bar]	Maximum Temperature °F [°C]	Cv	Weight oz [g]
120 [8.3]	250 [121]	0.4	5.3 [150]

## How To Order



**The Ogontz Guarantee:** We will repair or replace on a no-charge basis FOB Willow Grove, PA, any valve returned to us within 18 months, if found to be defective in material or workmanship.



2835 Terwood Road • Willow Grove, PA 19090 USA  
800/523-2478 • 215/657-4770 • Fax: 215/657-0460  
www.ogontz.com • info@ogontz.com

North America • South America • Europe • Asia  
Copyright Ogontz Corporation, 2012 • Bulletin mfr 5-12