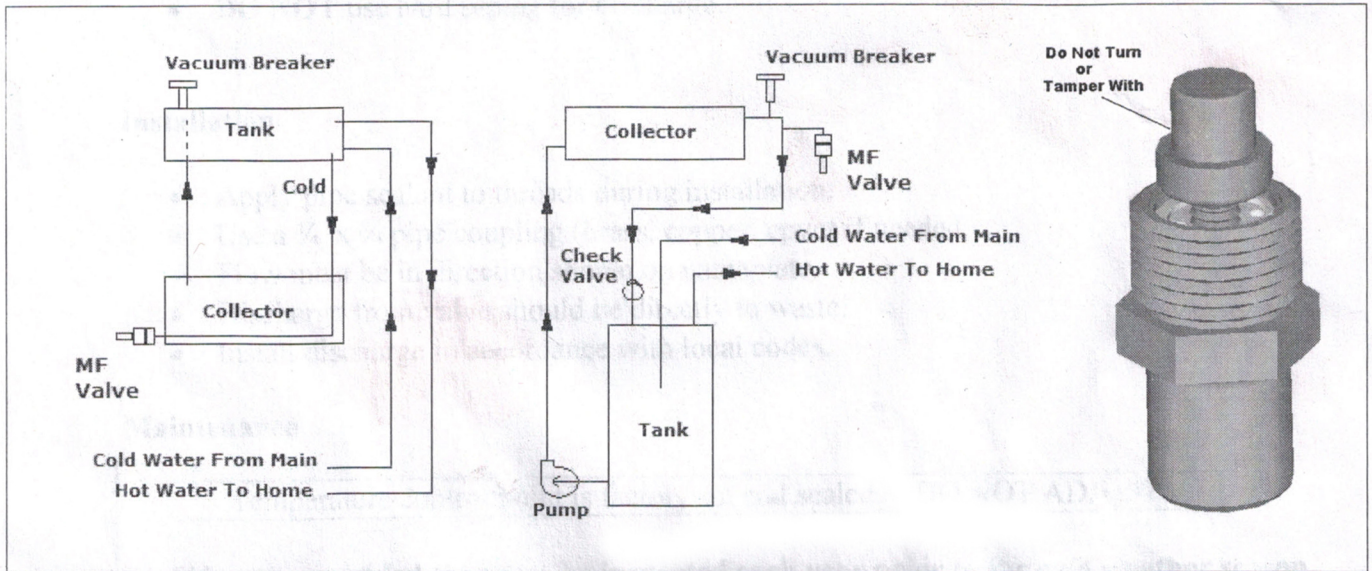


INSTALLATION AND MAINTENANCE INSTRUCTIONS MF35 / MF40



THERMOSIPHON SYSTEM

ACTIVE OPEN LOOP

IMPORTANT: Only tighten valve on hex flats **NEVER** use tools on the round body or round thermal sensor at inlet.

Important: The system must be supplied with normal operating water pressure.

Important: Water flow must not be turned off or bypass the collector or MF valve.

If discharge piping or tubing is used, it must be installed without high spots to allow for full gravity drainage. (To prevent possible freezing)

- The MF valve should be installed close to the collector to minimize exposed piping.
- The MF valve **MUST** be installed so the supply water first passes thru the collector and then thru the MF valve and piping to be protected.
- **DO NOT** insulate the MF valve or exposed piping from collector to valve.
- **DO NOT** locate valve near heat sources such as exhaust vents.

Thermosiphon System

Locate the MF valve on the **lower** collector header, on the opposite end of panel lower header cold water inlet.

Active Open Loop System

Locate the MF valve 3"- 6" off and lower than the **upper** collector header.

- **DO NOT** install valve using tools on the round body or round thermal sensor at inlet.
- **DO NOT** prevent water flow thru the collector(s) or MF valve.
- **DO NOT** install near heat sources such as chimneys or dryer vents.
- **DO NOT** use hard piping for discharge.

Installation

- Apply pipe sealant to threads during installation.
- Use a $\frac{3}{4}$ x $\frac{3}{4}$ pipe coupling (brass, copper, cpvc) if needed.
- Flow must be in direction shown on nameplate.
- Discharge from valve should be directly to waste.
- Install discharge in accordance with local codes.

Maintenance

Temperature control point is factory set and sealed. DO NOT ADJUST

It is recommended the valve be inspected each year prior to the cold weather season.

- Verify model **MF35** valve is fully closed and not leaking when the water temperature is above 45°F (7.2C).
- For model **MF40** verify valve is fully closed and not leaking when the water temperature is above 50°F (10C).
- At the onset of the first cold spell verify the MF35/MF40 is or has opened when the water temperature has dropped below 40°F (4.4C).
- **HARD WATER LOCATIONS** (calcium, magnesium, lime scale buildup): Valve should periodically be cleaned by using distilled vinegar. **Frequency depends on the hardness of the local water.** To help remove scale build up: place a small container of vinegar in freezer for several hours, place valve in container (so valve opens). Allow to soak in freezer for 1-2 hours, bring valve up and down in vinegar to help remove scale. Rinse valve with clean water.

Specifications

- Brass body and internal components
- Ogontz thermal actuator
- MF35 starts to open when the water temperature is approximately 42°F(5.5C)
- MF40 starts to open when the water temperature is approximately 46°F(7.7C)
- Discharge accepts $\frac{3}{4}$ I.D. hose.
- Maximum operating pressure 120 psig(8.3bar)
- Flow Coefficient Cv = 0.4