

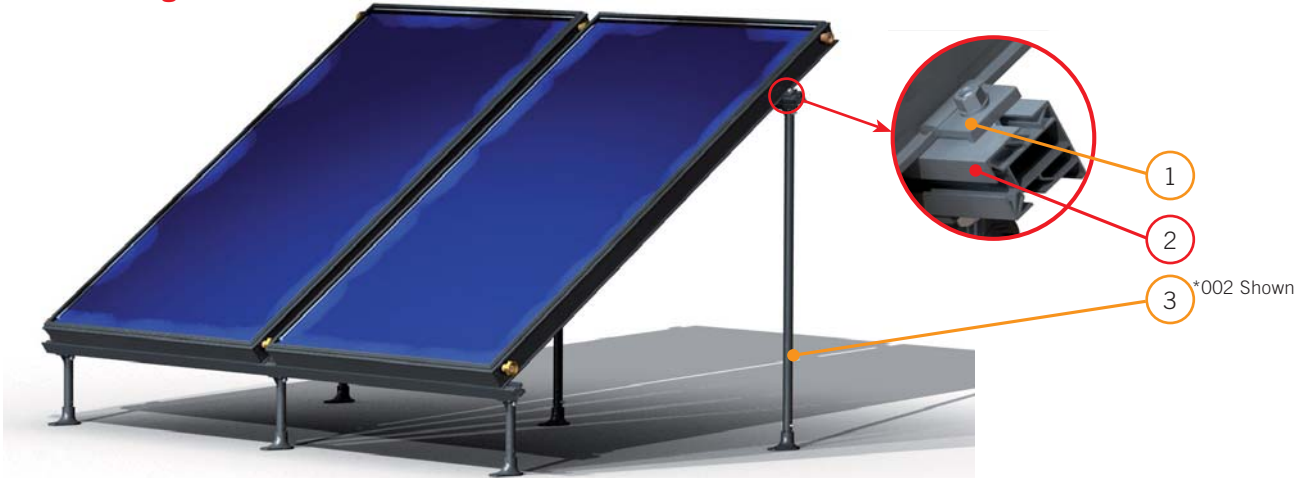
INSTALLATION GUIDE

RACK MOUNTING



1. RACK INSTALLATION

1.0. Rack Mounting Overview



1.0.0. RACK 000 00X Components and Leg Assembly



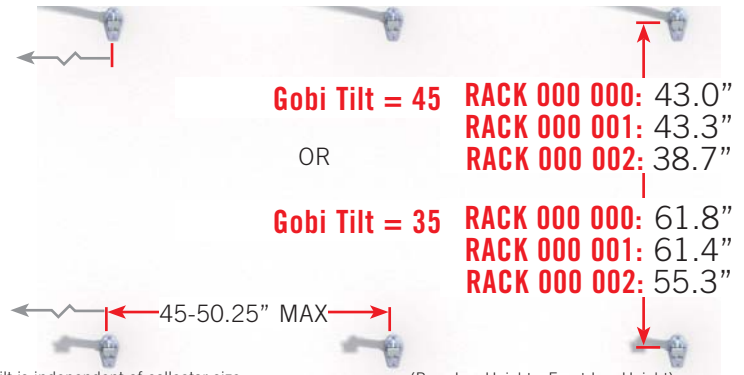
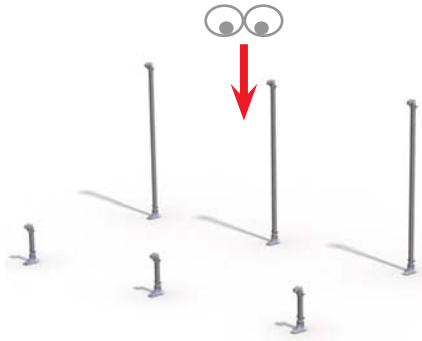
1.0.1. RACK Replacement Parts

ITEM	CODE	PART NUMBER	DESCRIPTION	QUANTITY
1	CLIP 000 000	40082	Gobi Rail Clamp, 3/8-16 x 1" SS Bolt, Flange Nut (set of 4)	1 / Gobi
2	RAIL 002 000	40090	2x102.0" Gobi Mounting Rail, 2xCLIP 000 000 set	See Note 1
3	RACK 000 000 RACK 000 001 RACK 000 002	40080 40081 40083	Commercial Mount, 4" Front Leg, 47" Rear Leg Flat Roof Rack Mount, 4" Front Leg, 47" Rear Leg Flat Roof Rack Mount, 8" Front Leg, 47" Rear Leg	# Gobi + 1
4	RAIL 000 001	40089	Splice Kit for Joining Rails (Includes 2 for upper and 2 for lower rail)	1 Kit

¹. Order minimum quantity of rails that will accommodate number of collectors in array.
². RACK 000 00X Kits require field assembly.
³. 47" Rear tilt leg is not for tilts greater than 45° on 408 or 410 collectors

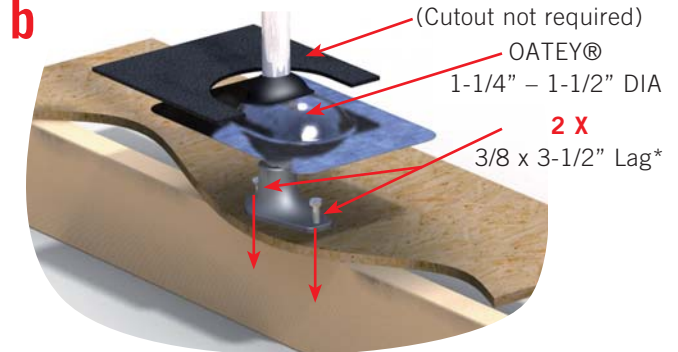
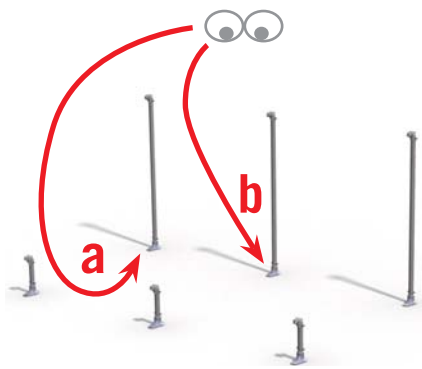
1.1. Rack Installation

1.1.0. Rack Leg Spacing



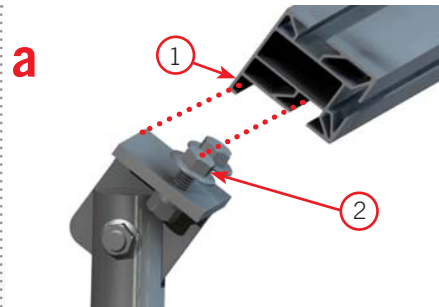
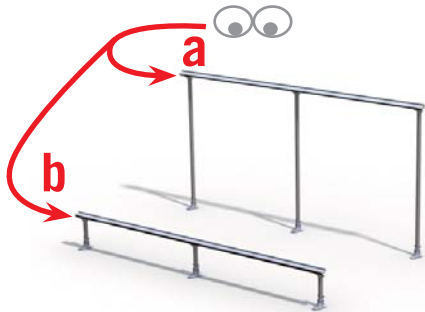
1. Spacing for tilt is independent of collector size.
2. For other tilts the distance between front and rear mounting points = $\frac{\text{Rear Leg Height} - \text{Front Leg Height}}{\tan(\text{Gobi Tilt Angle})}$

1.1.1. Rack Foot Mounting



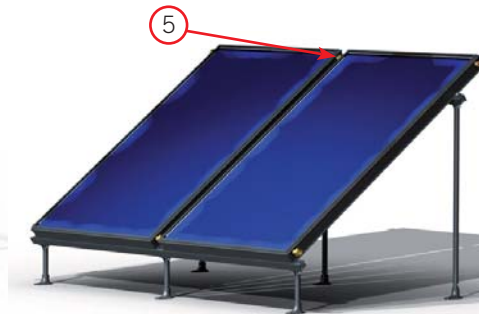
*Consult American Wood Council NDS 2005 for proper lag screw specifications and installation criteria for the specific roof site

1.1.2. Rail Mounting

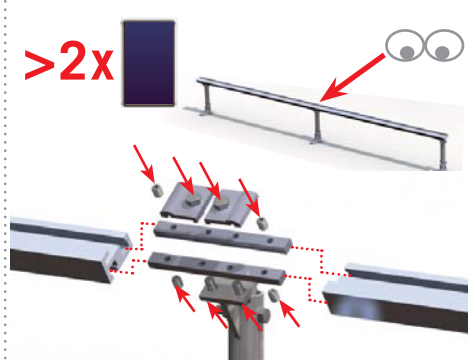


1. Note rail orientation
2. Insert bolt head and flat washer into rail channel, lock washers and nuts compressing rail foot

1.1.3. Collector Mounting



1.1.4. Rail Splice (optional)



3. Brace rails for first collector
4. Place first collector and install all (4) Helio-Clips. Tighten bolts on Helio-Clips to engage locking serrated flange nut.
5. Insert O-rings, tighten Unions. Take care not to crimp O-ring. Do not use thread lock or sealants

Heliodyne, Inc. • 4910 Seaport Avenue • Richmond, CA 94804
T: 510.237.9614 • F: 510.237.7018
www.heliodyne.com
Sales Inquiries: sales@heliodyne.com
Information and Support: info@heliodyne.com