

Vertical Racks for Gobi Collectors

Leg Lengths and Mounting Points to Achieve Desired Tilt
for Rack-1 (single collector) through Rack-8 (eight collectors)

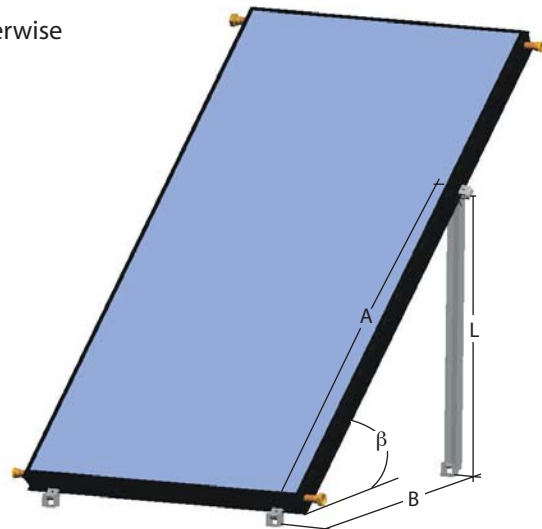
| β Tilt Angle in Degrees | L Leg Length in inches | B Footprint in inches | A Distance along Gobi between mounting points in inches | Feasible Tilt Angles for | | |
|-------------------------------------|------------------------------|-----------------------------|---|--------------------------|----------|-----------|
| | | | | Gobi 410 | Gobi 408 | Gobi 3366 |
| 20.4 | 42.5 | 116 | 121 | X | | |
| 25.7 | | 90 | 97 | X | X | |
| 28.5 | | 80 | 88 | X | X | X |
| 31.6 | | 71 | 80 | X | X | X |
| 40.0 | | 53 | 65 | | X | X |
| 44.9 | | 45 | 59 | | | X |
| 13.0 | 27.5 | 121 | 121 | X | | |
| 16.3 | | 96 | 97 | X | X | |
| 18.0 | | 86 | 88 | X | X | X |
| 19.9 | | 78 | 80 | X | X | X |
| 24.6 | | 62 | 65 | | X | X |
| 27.2 | | 55 | 59 | | | X |
| 28.1 | 57.5 | 109 | 121 | X | | |
| 35.9 | | 81 | 97 | X | X | |
| 40.0 | | 70 | 88 | X | X | X |
| 45.0 | | 59 | 80 | X | X | X |
| 60.0 | | 35 | 65 | | X | X |
| 36.4 | 72.5 | 100 | 121 | X | | |
| 47.5 | | 68 | 97 | X | X | |
| 54.2 | | 54 | 88 | X | X | X |
| 62.8 | | 39 | 80 | X | X | X |

The standard leg supplied with the Rack kits, when not otherwise specified, is 42.5".

Instructions:

1. Select the Gobi collector model to be installed;
2. Select the desired tilt angle;
3. Find the leg length required and verify that it is feasible;
4. Select the standard leg of 42.5" whenever possible.

Racks are Wind Load certified to 60 lb / ft².



HELIODYNE, INC.

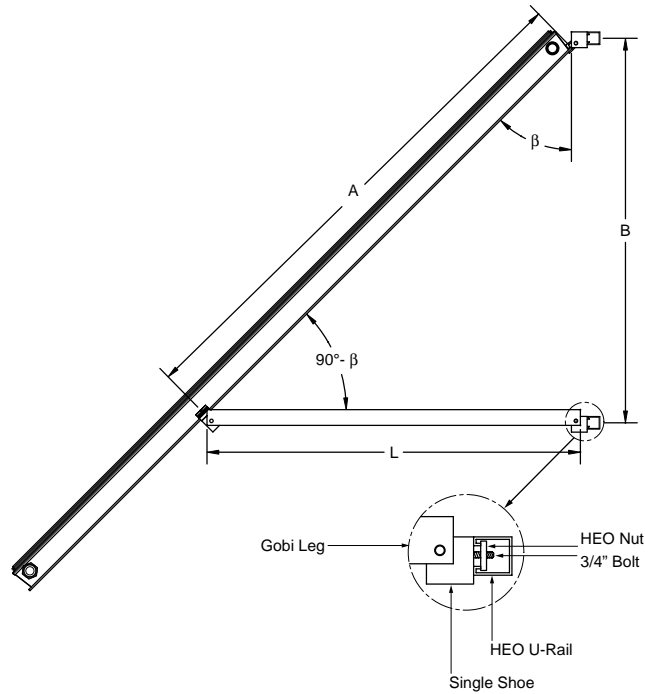
510-237-9614 www.heliodyne.com
Fax: 510-237-7018 info@heliodyne.com

Gobi Mounting on Vertical Surfaces

Using Heliodyne Rack Kits, Legs and U-Rail

For use in conjunction with sheet: *Vertical Racks For Gobi Collectors*.
 Subtract the desired angle from 90° to find the complimentary angle, β , then find the corresponding leg spacing and length needed for installation.

Two Gobi 408 Collectors Mounted 45° on a Vertical Wall using 47.5" Legs



| Model | Number of Gobi in Array | | | | Lengths Between End Shoes in inches |
|----------------|-------------------------|-------|--------|--------|-------------------------------------|
| | 1 | 2 | 3 | 4 | |
| Gobi 410 / 408 | 53.25 | 105.5 | 157.75 | 210 | Bottom |
| | 41 | 92.25 | 144.5 | 196.75 | Top |
| Gobi 3366* | 49 | 95 | 141 | 187 | Bottom |
| | 37 | 82.25 | 128.5 | 174.75 | Top |

NOTES:

1. When ordering HEO U-Rail, order in halves of 210" lengths. I.E. 1 Gobi 410, 408 or 3366 needs one-half 210" length of U-Rail, 2 collectors needs 1 full 210" length. See dimension table for mounting points.
2. Mount legs with open side down to prevent debris build-up.*
3. For available rack kits, see sheet: *Rack Mounting Hardware*

*When mounting more than one Gobi 3366, inside legs must be open side up to allow clearance.



HELIODYNE, INC.

510-237-9614 www.heliodyne.com
 Fax: 510-237-7018 info@heliodyne.com