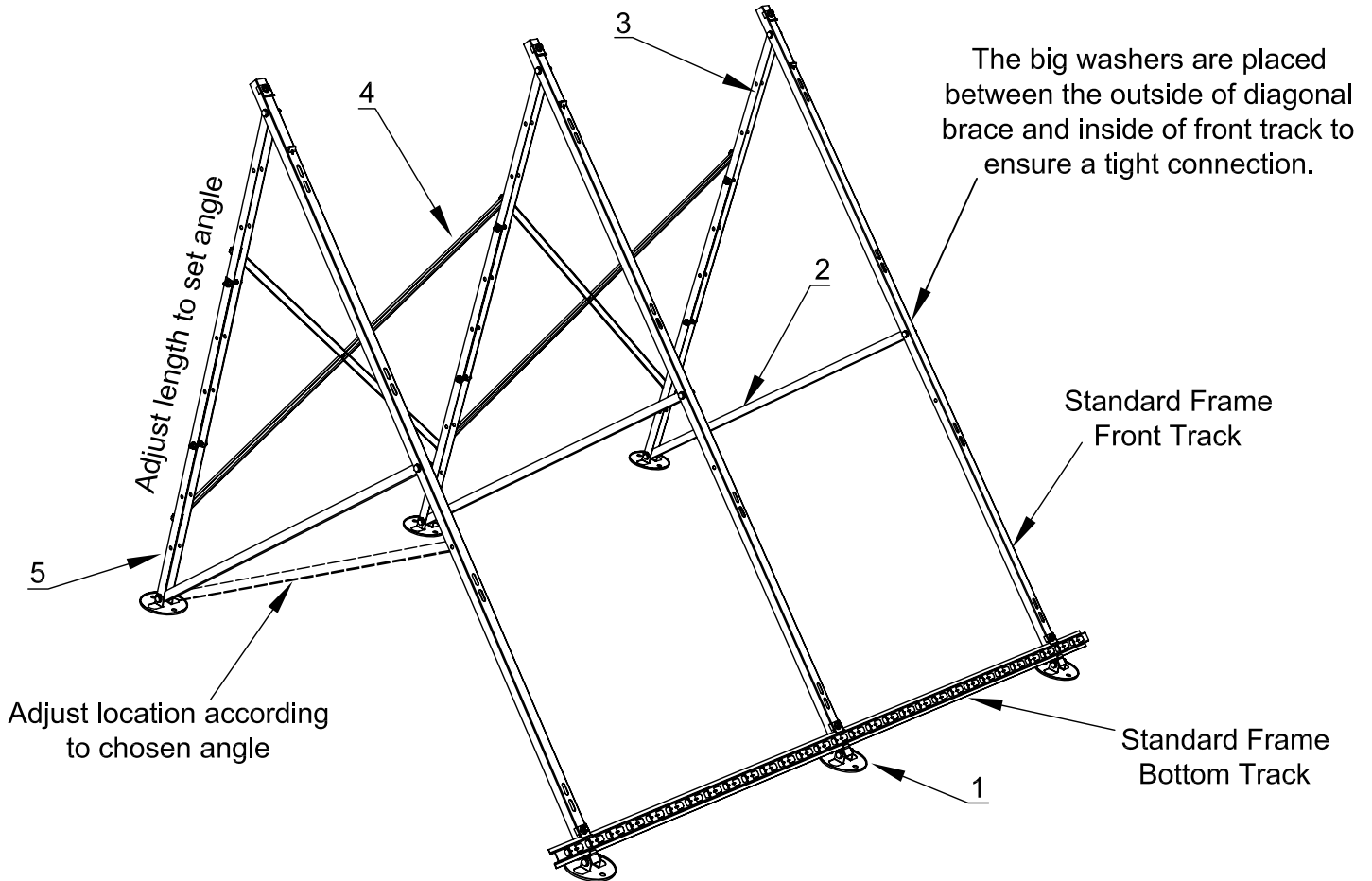


AP Solar Collector Flat Roof Frame Kit

The components contained in this package combine with the AP solar collector's standard frame to form the complete flat roof frame shown below.



Frame Packing List

Component Name	Component Quantities	
	10,18 & 20 Tube	22 & 30 Tube
1. Round Feet	4	6
2. Diagonal Brace	2	3
3. Top Rear Leg	2	3
4. Rear X Brace	2	4
5. Bottom Rear Leg	2	3
6. M8x50 Bolt	6	9
7. M8x40 Bolt	6	11
8. M8x20 Bolt	5	6
9. M8 Nut	23	35
10. Big Washer	8	12
11. Small Washer	29	44
12. Nut Lock	5	8
13. 12/14mm Spanner	1	1

Nuts and bolts are already attached to the appropriate components

SAFETY CONSIDERATIONS

- Wear gloves when handling frame components
- Feet must be bolted to ground
- Ensure attachment points are structurally sound
- Follow relevant safety regulations regarding working on roofs