

## SUBMITTAL DATA

JOB/CUSTOMER:

SUBMITTED BY:

ENGINEER:

APPROVED BY:

CONTRACTOR:

ORDER NO:

SPECIFICATION REF:



## NOMENCLATURE

**HW**..... *Hard-Wired*  
**MS**..... *Motion Sensor*  
**RB**..... *Round Beam*

## DESCRIPTION

With the HWMSRB, the user activates the pump by passing through the beam emitted by the motion sensor. The motion sensor sends a signal back to the D'MAND Kontrols® System which is connected to the pump via a low voltage cable.

## TECHNICAL DATA

**OPERATING RANGE** 250 Feet

**DIRECTIONAL PATTERN:** Round Beam 20' range

**WIRING** Three Wire, 12 volt power supply

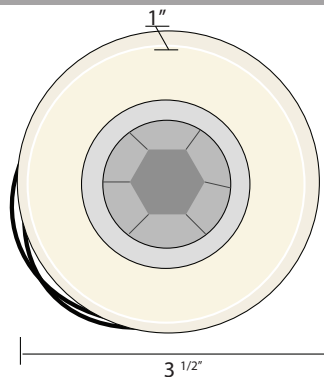
## APPLICATIONS

Compatible with any ACT D'MAND Kontrols® System from 2002 to Present.

The HWMSRB is expandable and you may add up to ten (10) total motion sensors per pump.

**WILL NOT OPERATE** in conjunction with Models: WRT-KIT, WT

## DIMENSIONS



## WARRANTY

Accessories: Hard-Wired Buttons, Wireless Transmitters and Receivers, all Hard-Wired or Wireless Motion Sensors and Receivers: Warranty – (One Year from date of purchase) Labor is not included with Limited Warranty. In order to obtain services under this warranty, it is the responsibility of the purchaser to promptly notify the Company in writing and promptly deliver the item in question, delivery prepaid to the factory. The address for notification and delivery is ACT, Inc. D'MAND KONTROL® Systems, 3176 Pullman Street, Suite 119, Costa Mesa CA 92626. If the product or part in question contains no defects as covered in the warranty, the purchaser will be notified and billed for parts and labor charges in effect at the time of factory examination and repair.