

AV70

Solar Aviation Light

Features

- Integrated solar/battery system
- Dual internal high-performance solar modules angled to maximize solar collection
- Fast & easy to deploy - no programming
- IP68 waterproof rating
- User-replaceable battery
- Ultra-high intensity LEDs (no changing globes ever)

Typical Applications

- Solar Airstrip Light
- Solar Barricade Light
- Solar Caution Light
- Solar Taxiway Light (ICAO)
- Solar Threshold Light
- Solar Obstruction Light

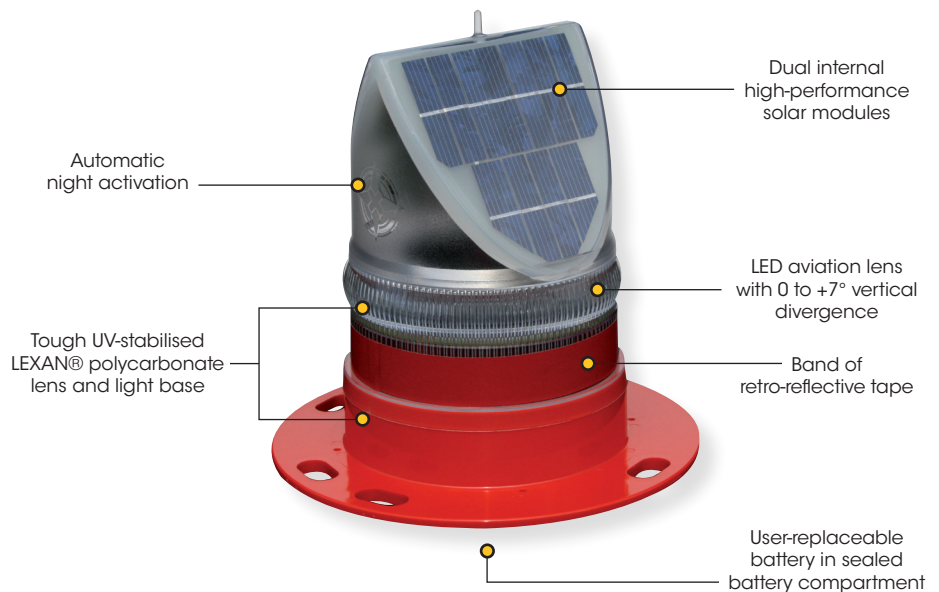
Compliance

- FAA AC150/5370-2E for construction and barricade installations
- ICAO Annex 14 Volume 1, 'Aerodrome Design and Operations', 4th edition July 2004, paragraph 5.3.17.7.



Royal Flying Doctor Service

Avlite donates AU\$20 to the Royal Flying Doctor Service from the sale of each AV60 & AV70 light within Australia



The solar powered AV70 aviation light offers enormous benefits over traditional battery and hard-wired aviation lights including low maintenance and no underground wiring.

These completely self-contained LED lights are designed to suit a range of aviation and general applications including emergency airstrip, caution, taxiway, and threshold lighting. The unit has two high-performance solar modules mounted within the lens, which maximize solar collection and provide reliable operation in a range of environmental conditions.

The focal plane of the light is designed to provide a vertical divergence of between 0 and +7 degrees, and the user-replaceable battery ensures a service life of up to 12 years.

The AV70 is made from tough, durable UV stabilized LEXAN® polycarbonate, and incorporates an internal photodiode for automatic night activation once the ambient light threshold drops sufficiently.

Completely self-contained and able to be installed in minutes, the AV70 is the preferred choice of remote airfields throughout Australia - where the units mark indigenous and regional council's airstrips, and mining strips around the country.

AV70-HI

The AV70-HI is a high intensity version of the popular AV70 and is ideal for use in high sunlight areas that receive a minimum of 3.5 hours of sun per day.

Optional Radio Control (AV70-RF)

The AV70-RF is a radio-controlled version of the popular AV70, which can be used in conjunction with a PALC or simple handheld controller. Users can wirelessly control ON/OFF functions, adjust light intensities, change colors or switch between visual and IR (tactical) operational modes.



Avlite
www.avlite.com



Avlite Systems
11 Industrial Drive,
Somerville Vic 3912 AUSTRALIA
t: +61 (0)3 5977 6128
f: +61 (0)3 5977 6124

172 Lily Pond Road
Gifford New Hampshire 03249 USA
t: (603) 737 1310
f: (603) 737 1320

w: www.avlite.com
e: info@avlite.com



SPECIFICATIONS • AV70

Light Characteristics

Light Source: 12 ultra-high intensity LEDs
 Available colors: Red, Green, White, Yellow, Amber, Blue, Sectored Combinations
 Peak Intensity (cd)†: Steady-on: Blue - 2.8 Red - 6.8 Green - 9.0 White - 7.0 Yellow - 6.5
 Flashing: Blue - 5.5 Red - 18.2 Green - 21.9 White - 19.1 Yellow - 15.1
 Horizontal Output (degrees): 360
 Vertical Divergence (degrees): 0 to +7
 Reflector Type: Omnidirectional 360° LED Reflector (US Pat. No. 6,667,582, AU Pat. No. 778,918)
 Available Flash Characteristics: >250 including steady-on (user-adjustable)
 Intensity Adjustments: Adjustable in 25% increments
 LED Life Expectancy (hours): >100,000

Electrical Characteristics

Operating Voltage (v): 3.6
 Temperature Range: -40 to 80°C

Solar Characteristics

Solar Module Type: Multicrystalline
 Output (watts): 2.5 (2 x 1.25watt)
 Solar Module Efficiency (%): 14
 Charging Regulation: Microprocessor controlled

Power Supply

Battery Type: High grade NiMH - Environmentally friendly
 Battery Capacity (Ah): 8
 Nominal Voltage (v): 3.6
 Autonomy (nights): Steady-on: >14
 Flashing: >38 (14 hour darkness, 12.5% duty cycle)

Radio Controlled (optional)

Frequency: 2.4Ghz ISM Band
 Range: 1.4km between 2 lights, relayed
 Expandability: Peer to Peer Networking
 Compliance: FCC / CE

Physical Characteristics

Body Material: LEXAN® Polycarbonate - UV stabilized
 Lens Material: LEXAN® Polycarbonate - UV stabilized
 Lens Diameter (mm/inches): 140 / 5½
 Lens Design: External optics with interior flute design
 Mounting: 6 x 17mm holes on 200mm PCD
 Height (mm/inches): 240 / 9½
 Width (mm/inches): 231 / 9¼
 Mass (kg/lbs): 1.1 / 2½
 Product Life Expectancy: Up to 12 years

Environmental Factors

Humidity: 0 to 100%, MIL-STD-810F
 Icing: 22kg per square inch
 Wind Speed: Up to 160kph
 Shock: MIL-STD-202G, Test Condition G, Method 213B
 Vibration: MIL-STD202G, Test Condition B, Method 204

Certifications

CE: EN61000-6-3:1997, EN61000-6-1:1997
 Quality Assurance: ISO9001:2008
 Waterproof: IP68

Intellectual Property

Patents: US Pat. No. 6,667,582, AU Pat. No. 778,918
 Trademarks: AVLITE® is a registered trademark of Avlite Systems
 Full 3 year warranty

Warranty *

Options Available

• RF Flash Synchronisation (AV70-CS)
 • Avlite Pilot Activated Lighting Control
 • Radio Controlled - FCC compliant
 • IR (AV70-IR)
 • External ON/OFF Switch (AV70-S)
 • External Battery Charging Port
 • Manual Operation

• RF Flash Synchronisation (AV70-CS)
 • Avlite Pilot Activated Lighting Control
 • Radio Controlled - FCC compliant
 • IR (AV70-IR)
 • External ON/OFF Switch (AV70-HI-S)
 • External Battery Charging Port
 • Manual Operation

AV70-HI

12 ultra-high intensity LEDs
 Red, Green, White, Yellow, Amber, Blue, Sectored Combinations
 Steady-on: Blue - 4.5 Red - 12.1 Green - 16.9 White - 14.2 Yellow - 11.6
 Flashing: Not available
 Horizontal Output (degrees): 360
 Vertical Divergence (degrees): 0 to +7
 Reflector Type: Omnidirectional 360° LED Reflector (US Pat. No. 6,667,582, AU Pat. No. 778,918)
 Available Flash Characteristics: Not available
 Intensity Adjustments: Adjustable in 25% increments
 LED Life Expectancy (hours): >100,000

Multicrystalline
 2.5 (2 x 1.25watt)
 14
 Microprocessor controlled

High grade NiMH - Environmentally friendly
 16
 3.6
 Steady-on: >19
 Flashing: Not available

2.4Ghz ISM Band
 1.4km between 2 lights, relayed
 Peer to Peer Networking
 FCC / CE

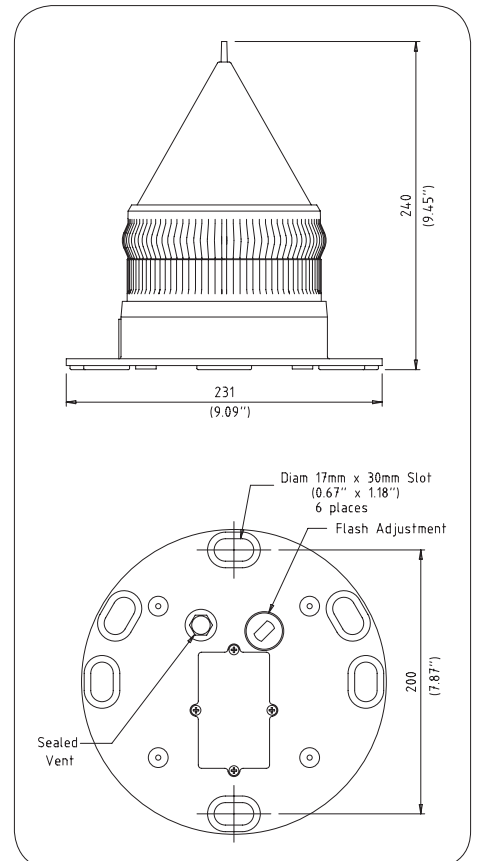
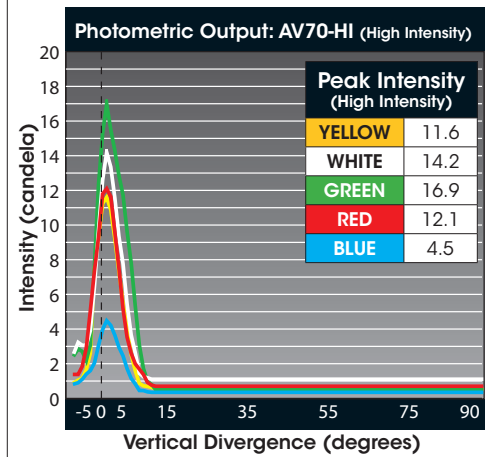
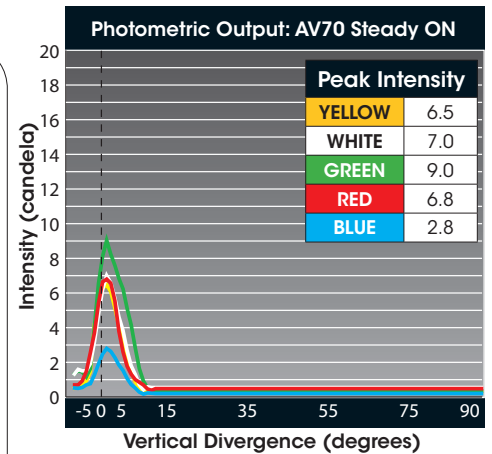
LEXAN® Polycarbonate - UV stabilized
 LEXAN® Polycarbonate - UV stabilized
 140 / 5½
 External optics with interior flute design
 6 x 17mm holes on 200mm PCD
 240 / 9½
 231 / 9¼
 1.41 / 3⅛
 Up to 12 years

0 to 100%, MIL-STD-810F
 22kg per square inch
 Up to 160kph
 MIL-STD-202G, Test Condition G, Method 213B
 MIL-STD202G, Test Condition B, Method 204

EN61000-6-3:1997, EN61000-6-1:1997
 ISO9001:2008
 IP68

US Pat. No. 6,667,582, AU Pat. No. 778,918
 AVLITE® is a registered trademark of Avlite Systems
 Full 3 year warranty

• RF Flash Synchronisation (AV70-CS)
 • Avlite Pilot Activated Lighting Control
 • Radio Controlled - FCC compliant
 • IR (AV70-IR)
 • External ON/OFF Switch (AV70-HI-S)
 • External Battery Charging Port
 • Manual Operation



* Specifications subject to change or variation without notice
 † Subject to standard terms and conditions
 ‡ Intensity setting subject to solar availability

