



SOLARSHEAT 1000G/1500G/1500GS Roof Stand

By
Your Solar Home, Inc.

Version 1.F
Rev. 11/16/2016

All building, plumbing, electrical and safety codes supersede the instructions in this manual. Your Solar Home will not warranty any roof installations that are not performed by authorized SolarSheat dealers and that do not follow or use the proper roof hardware, stands, flashing and weatherization. The manufacturer assumes no liability for improper installation. Use this manual at your own risk.

1.0 Introduction

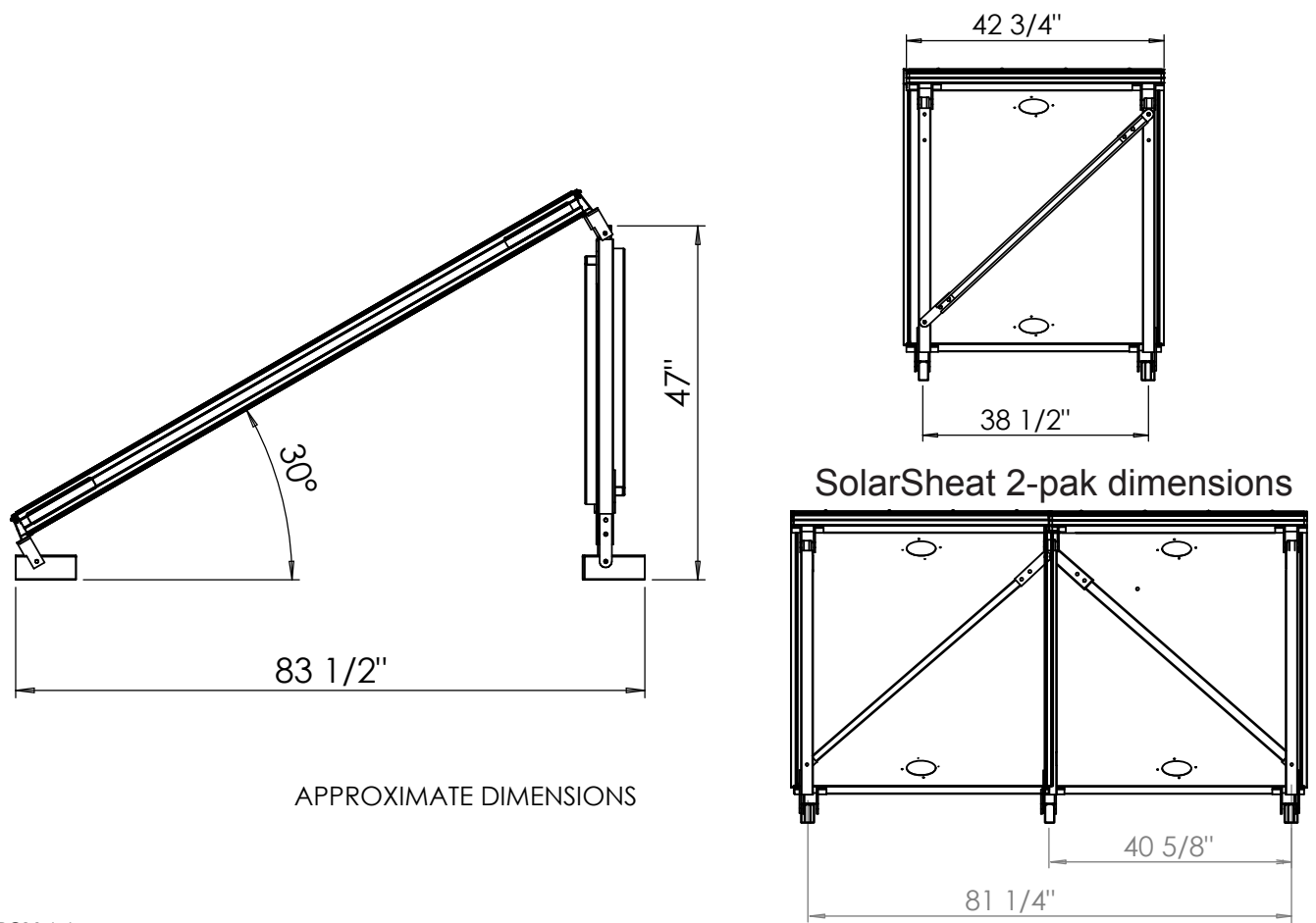
The SolarSheat 1000G, 1500G and 1500GS are modular solar collectors designed for supplemental room heating. Interior air is drawn through the SolarSheat, heated up and pushed back into the adjoining room. The 1000G & 1500G systems are self-powered and do not require any external electrical power, whereas the 1500GS collectors are designed to work with either the 1500G (two-pak) or an A/C powered fan system.

This manual covers the roof stand installation of the 1000G, 1500G and 1500GS solar collector models.

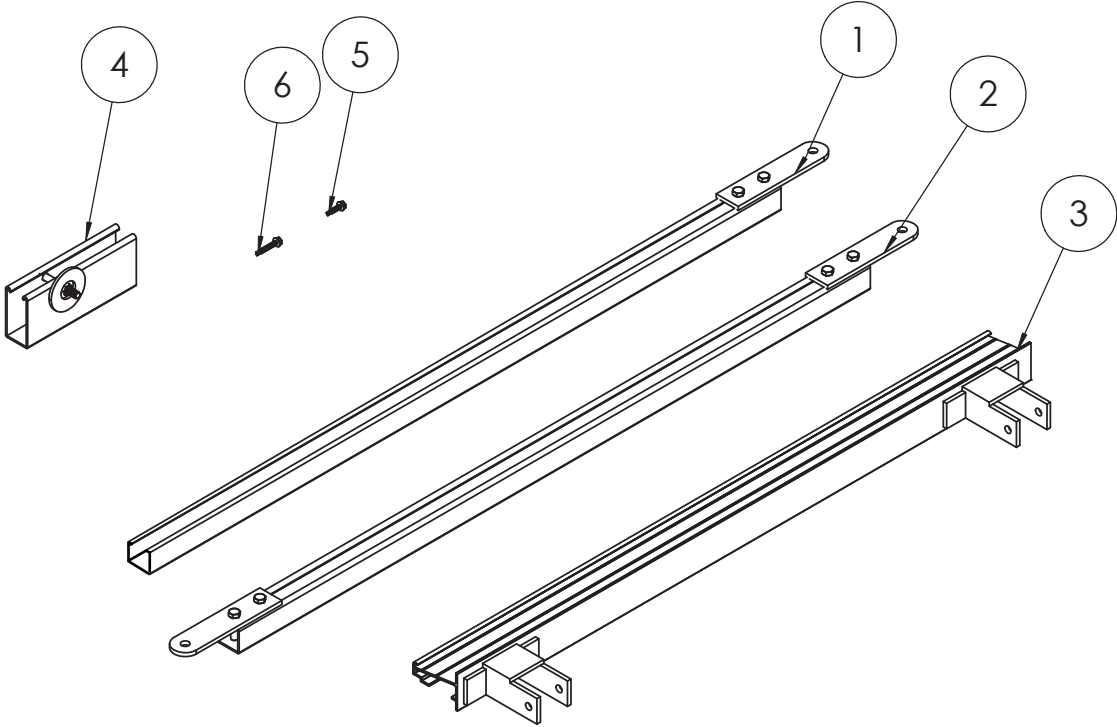
2.0 General installation

The successful operation of the SolarSheat solar collector depends entirely on the proper installation and maintenance as outlined in this manual. Prior to installation please read the installation instructions completely. The installation of the SolarSheat roof stand should comply with all local building codes, permits and OSHA requirements. The SolarSheat can be installed into new construction projects or retrofitted to existing buildings.

2.1 SolarSheat roof stand kit dimensions - 30 degree angle shown

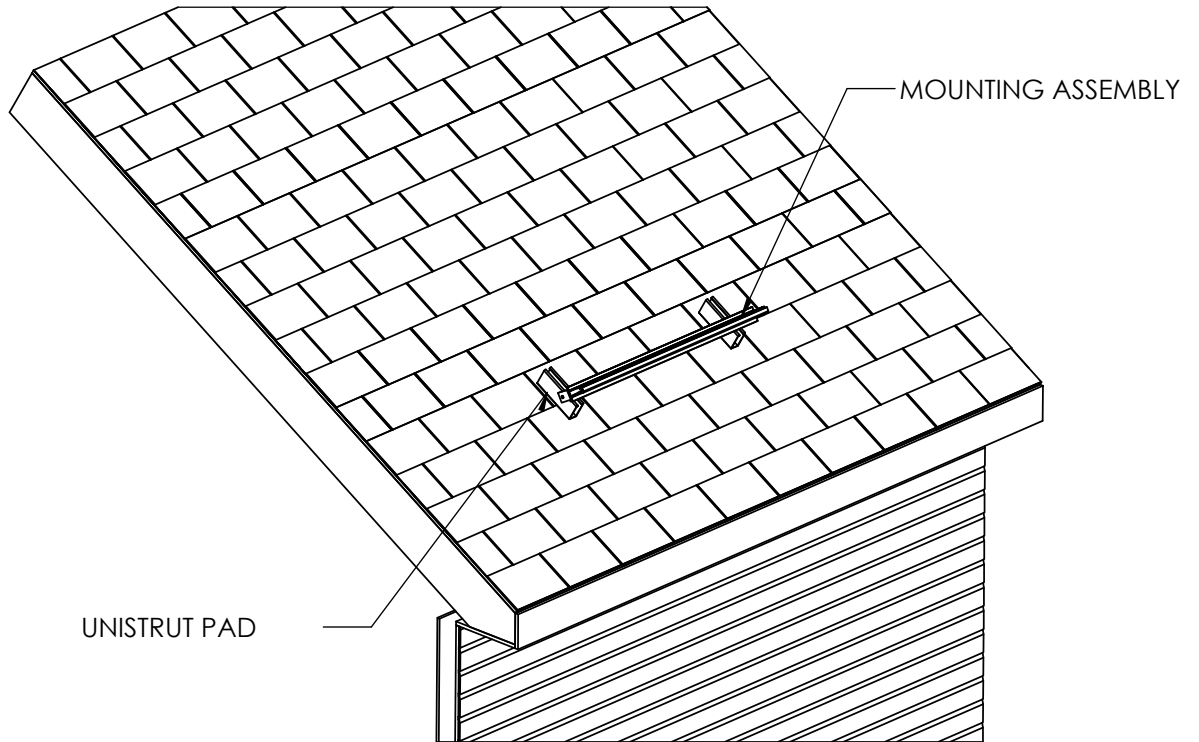


2.2 SolarSheat roof stand kit packing list

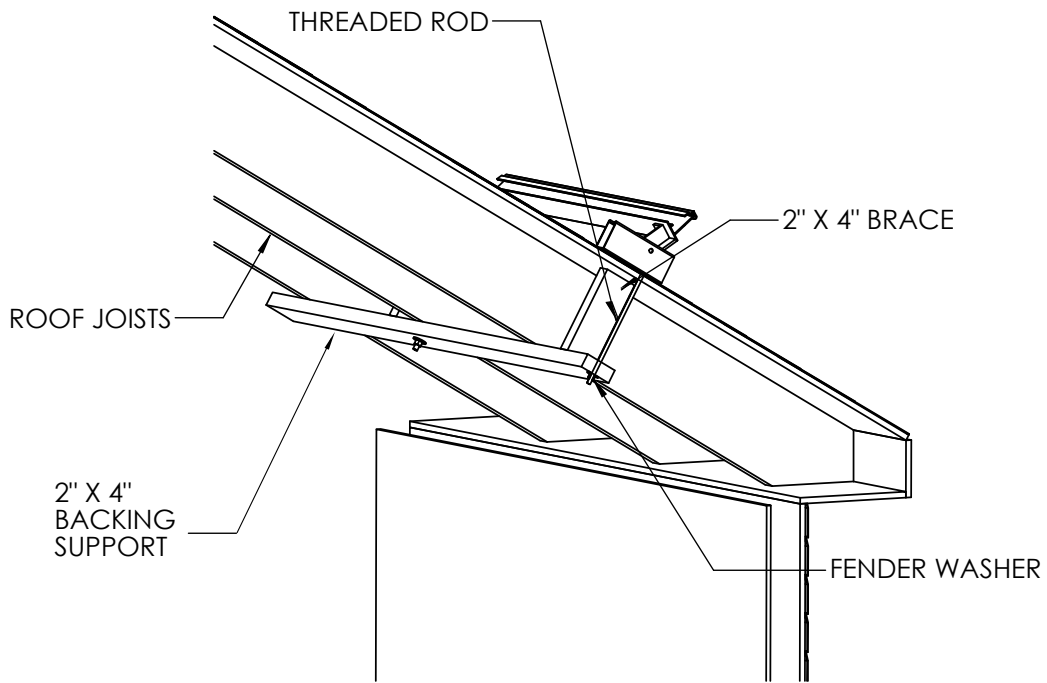


ITEM NO.	PART NUMBER	DESCRIPTION	QTY-Single	QTY-2 pack
1	h013	Channels - to be cut to length	2	3
2	h01	Cross piece	1	2
3	y007	Collector mount assy with brackets	~	2
4	h010	Unistrut pads	4	6
5	f004	black TEK screw - 1"	8	16
6	f011	black TEK screw-1-1/2"	8	16

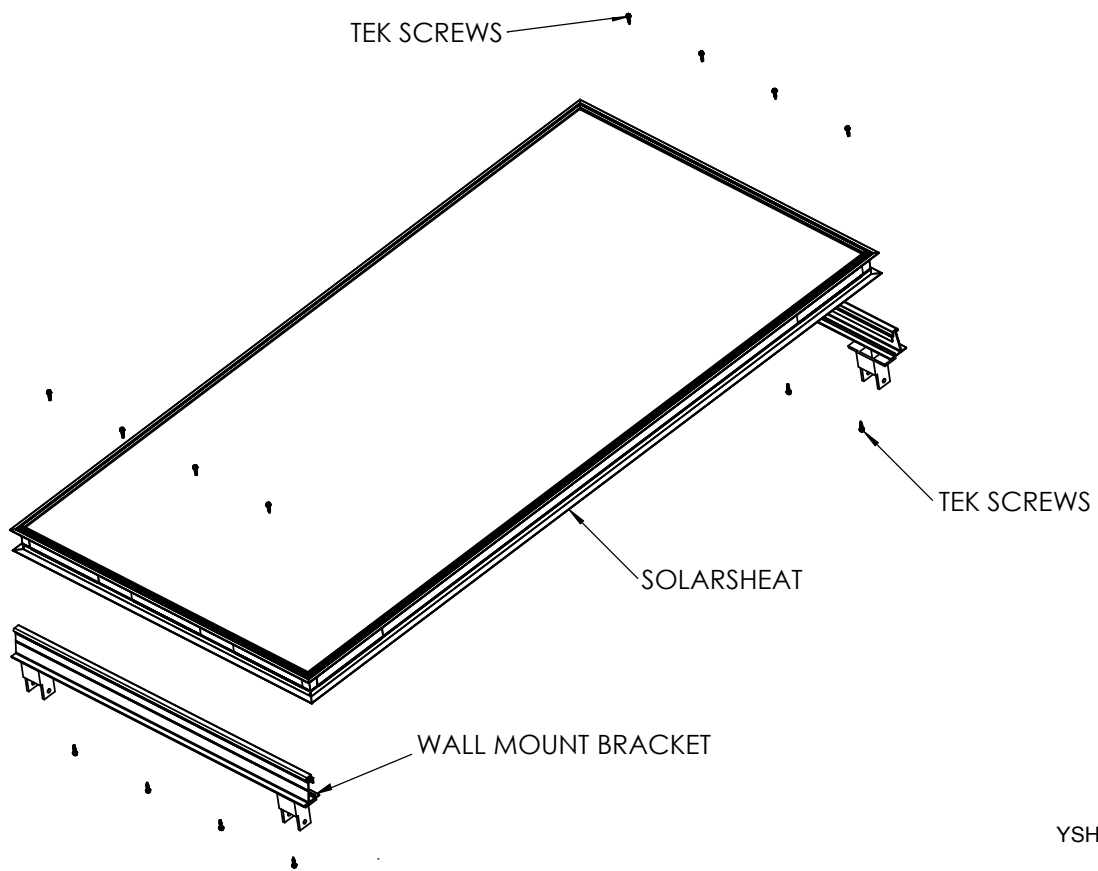
2.3 SolarSheat roof stand installation & mounting procedures

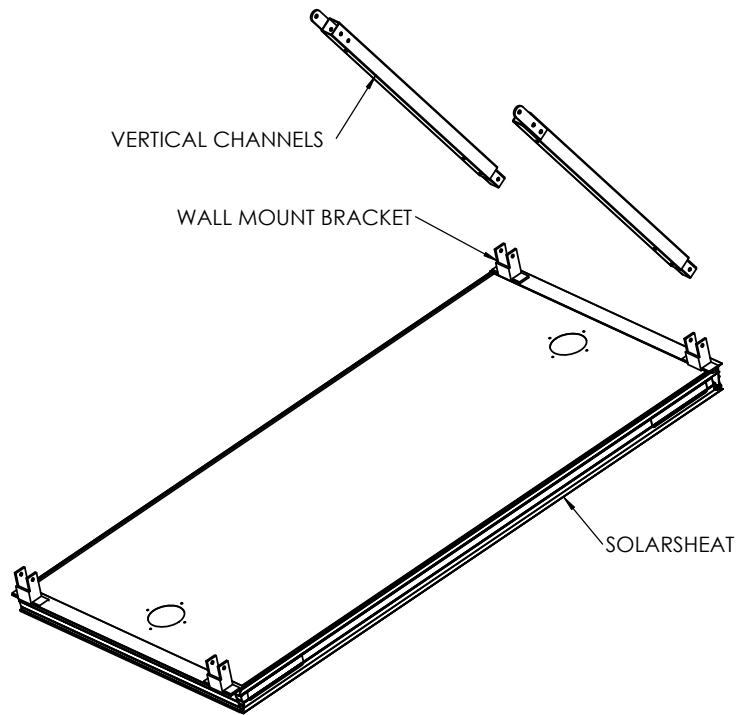


1. Mount lower Unistrut pads to roof. Use mounting assembly as a guide for determining the spacing of the pads on the roof surface.
2. Locate the pads so that they do not interfere with the roof joists.

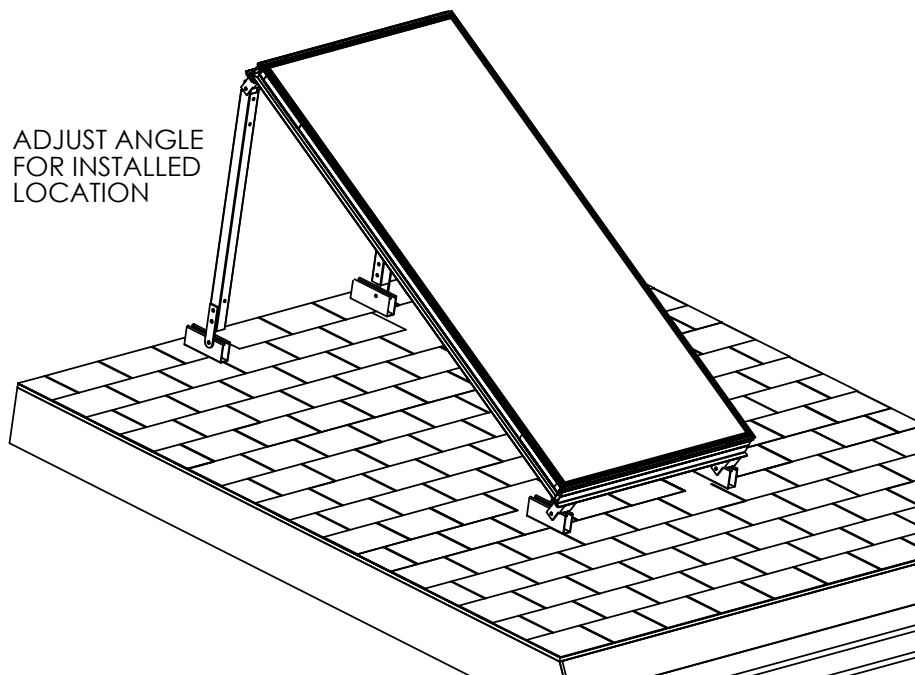


3. Drill Unistrut pads prior to installation. Use 1/2" galvanized threaded rod to mount to roof surface and seal well with caulking. Attach 2" X 4" backing support to spread the load between the threaded rods/pads.
4. Cut 2" X 4" brace to the depth of the roof rafters to prevent bending the roof sheeting.
5. Tighten threaded rod using appropriate nuts and washers.
6. Mount upper & lower collector mounting assembly with brackets to SolarSheat collector using 4- 1" TEK screws on the front side and 4- 1 1/2" TEK screws on the back side.

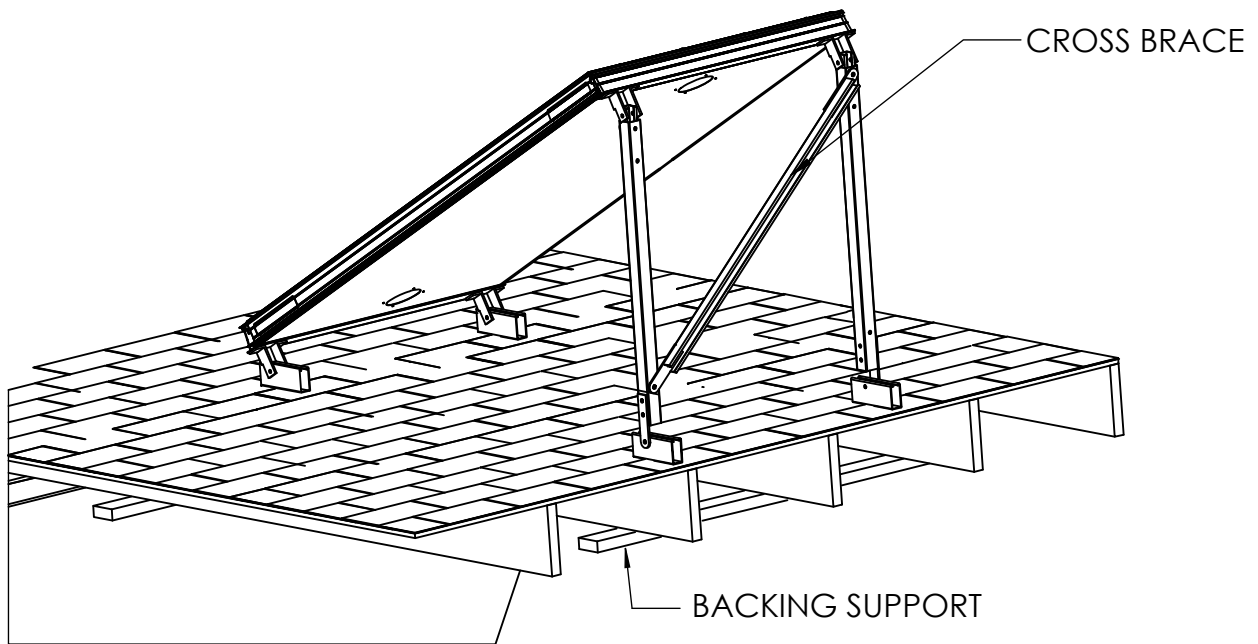


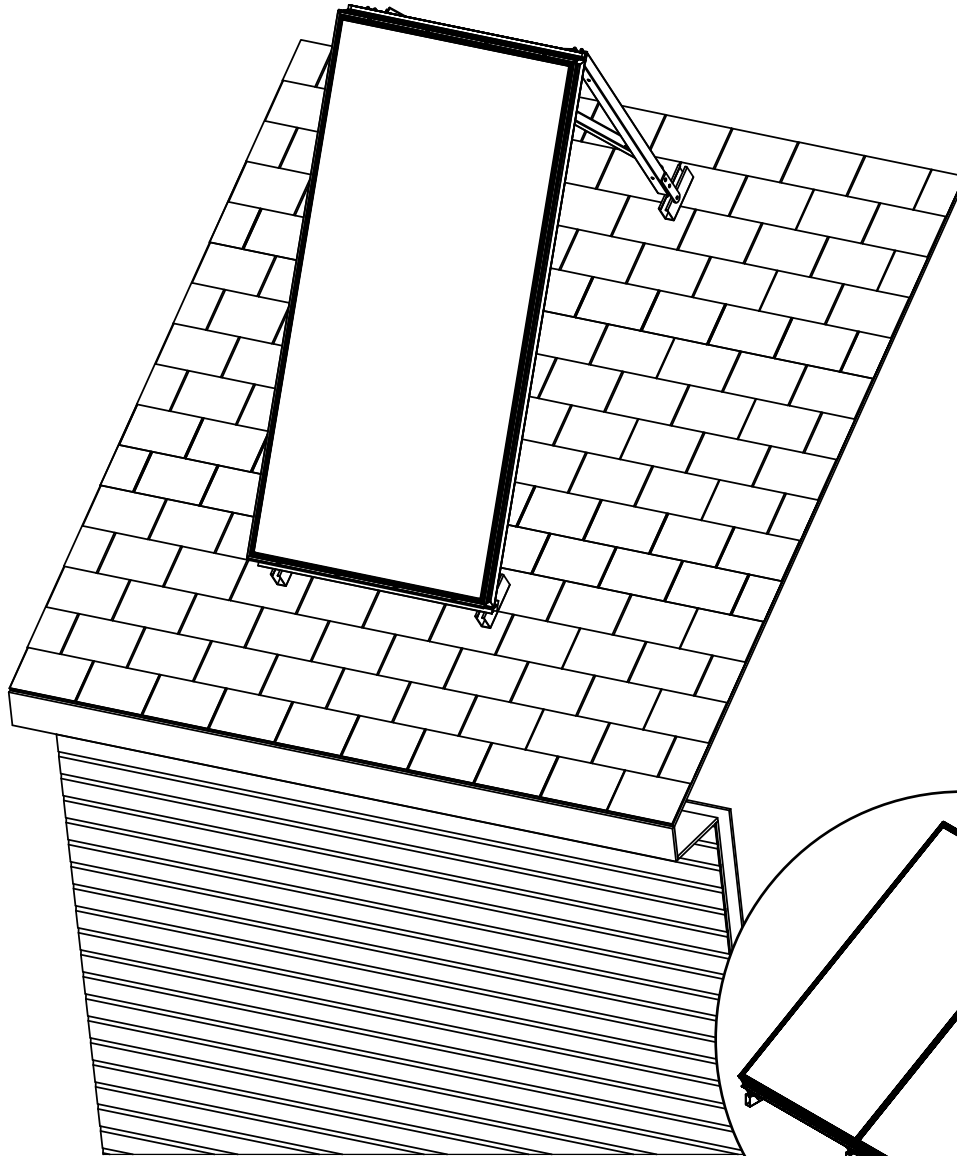


7. Mount horizontal channels to upper collector mounting assembly using supplied hardware.
8. Temporarily attach upper pads to the channels and (with some assistance) lift the collector(s) up into position and fasten.
9. Adjust angle of the collectors by adjusting the length of the horizontal channels.
10. Locate the placement of the upper pads by ensuring that the struts are perpendicular to the roof surface. Mount pads to roof repeating steps 3-5.

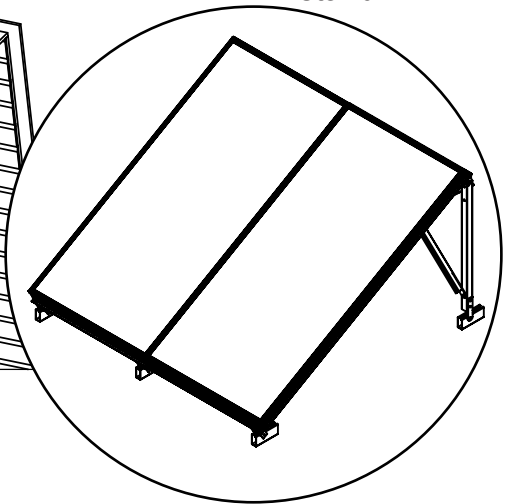


10. Add cross brace/s to HVAC channels
11. Check all fasteners to ensure they are properly secured and tight and that all roof penetrations are well sealed
12. Connect duct work and wiring as indicated in the SolarSheat Flush Roof Mount Installation Manual.





SolarSheat 2-Pak
mounted on roof
stand



yoursolarhome.com

270 INDUSTRIAL PARKWAY SOUTH
AURORA, ONTARIO L4G 3T9 CANADA

OFFICE: 905.841.2217

1.866.556.5504

FAX: 905.841.2207

E-MAIL: info@yoursolarhome.com

Congratulations! You have completed the roof stand mount installation of the SolarSheat 1000G/1500G/1500GS. We hope you enjoy many years of maintenance free solar powered heat.