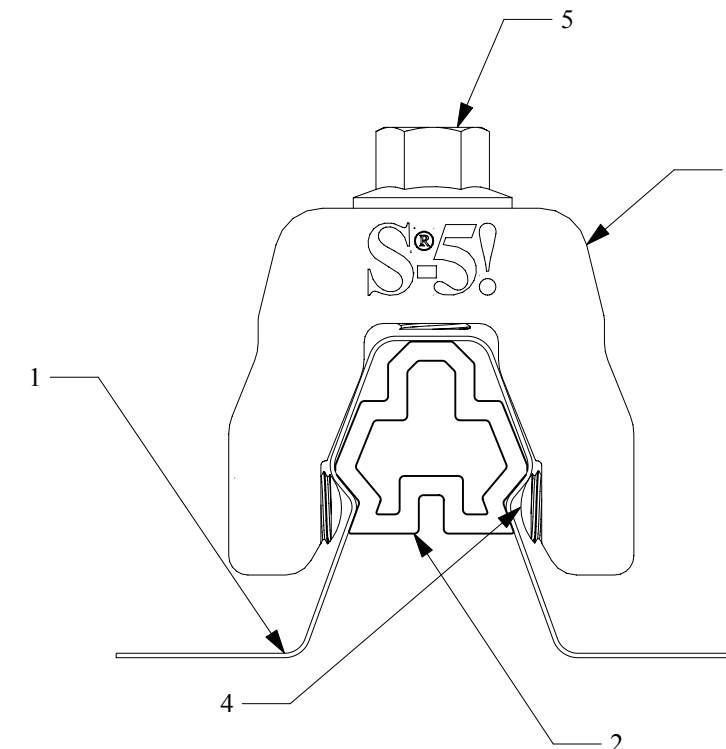
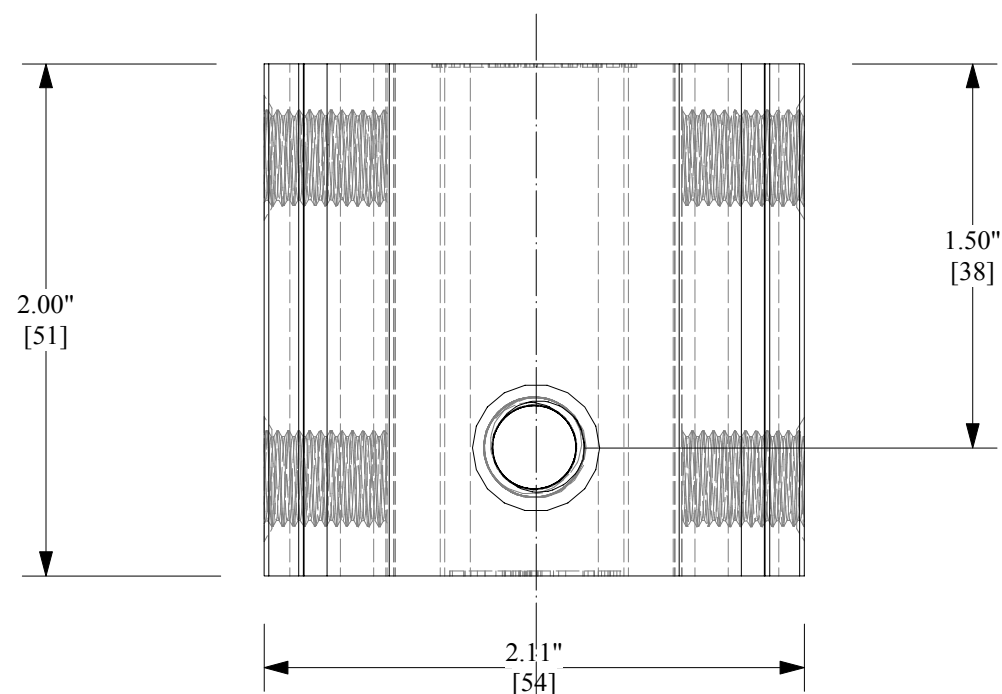


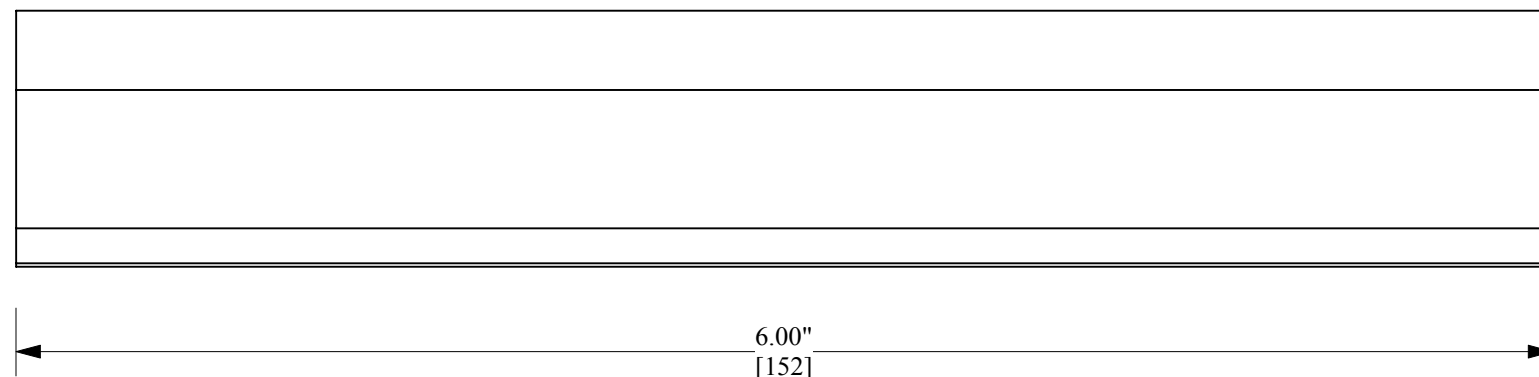
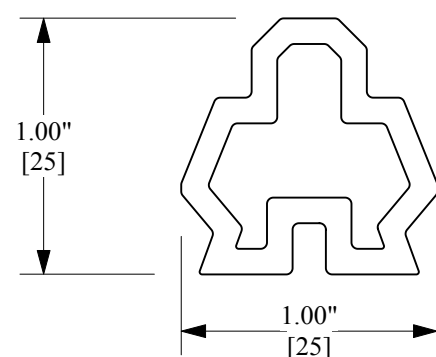
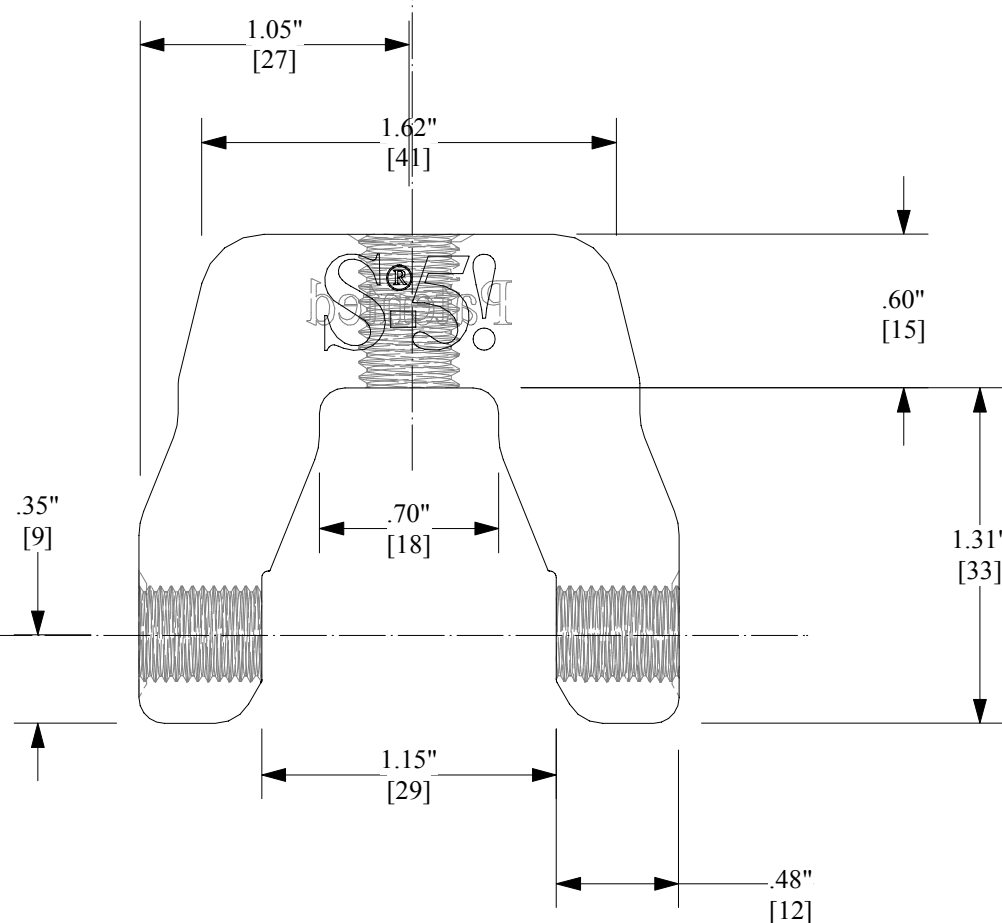
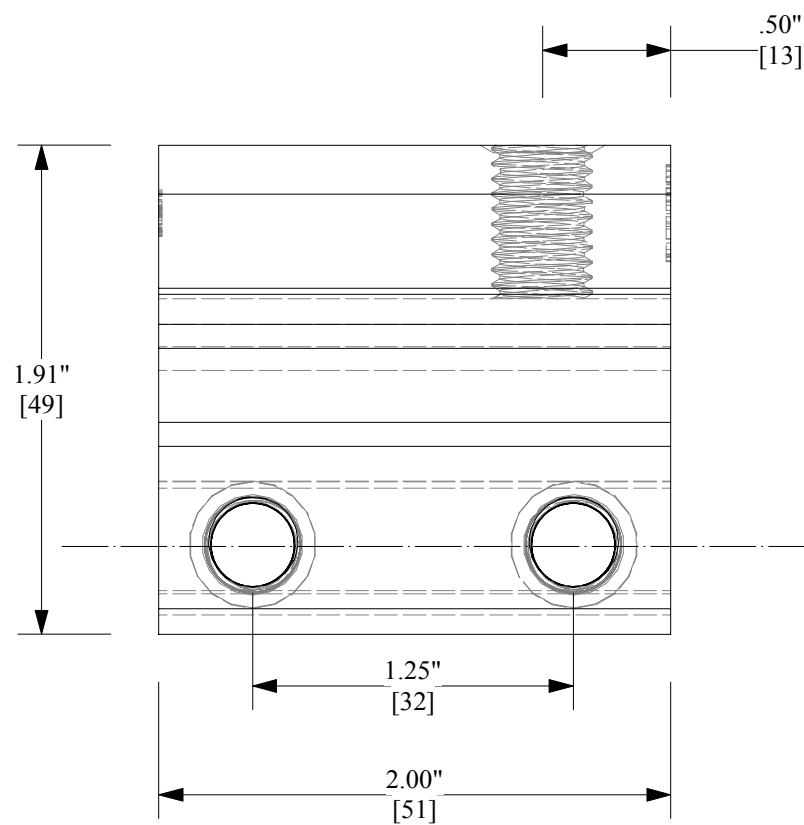
SCALE: 1:1



SCALE: 1:1

Notes

1. KLIP RIB INTERMEDIATE RIB
2. S-5-KHD 6" RIB INSERT
3. S-5-KHD
4. (4) 3/8-24 x .5" SETSCREWS
5. (1) M10-1.5 x 16MM HEX FLANGE NUT



MATERIAL: 6000 SERIES AL
EST ASSEMBLY WEIGHT : 0.733 LBS (CLAMP / HARDWARE / 6" INSERT)
SUPPLIED HARDWARE: (1) M10-1.5 x 16mm Hex Flange (18-8 SS) (4) 3/8-24 x .5" Round point Setscrew
SCALE: 1:0.75
OTHER: NA



METAL ROOF INNOVATIONS, LTD.
8655 TABLE BUTTE RD
COLORADO SPRINGS, CO 80908
719-495-0518
719-495-0045 (FAX)

TITLE	S-5-KHD and 6" Insert		
DRAWING NO.	KHD74-A-0-A_CCD	DRAWN BY	DMMH
DATE	03/07/11		

S-5!® PRODUCTS ARE PROTECTED BY MULTIPLE U.S. PATENTS INCLUDING 5,228,248, 5,983,588 AND 6,164,033 (OTHERS ISSUED AND PENDING). EUROPEAN PATENTS ARE ALSO APPLIED FOR AND PENDING UNDER THE PATENT COOPERATION TREATY WITH DIVISIONAL FILING RIGHTS RETAINED. METAL ROOF INNOVATIONS, LTD. (LICENSOR OF S-5!® TECHNOLOGY) AGGRESSIVELY PROSECUTES PATENT INFRINGEMENT.