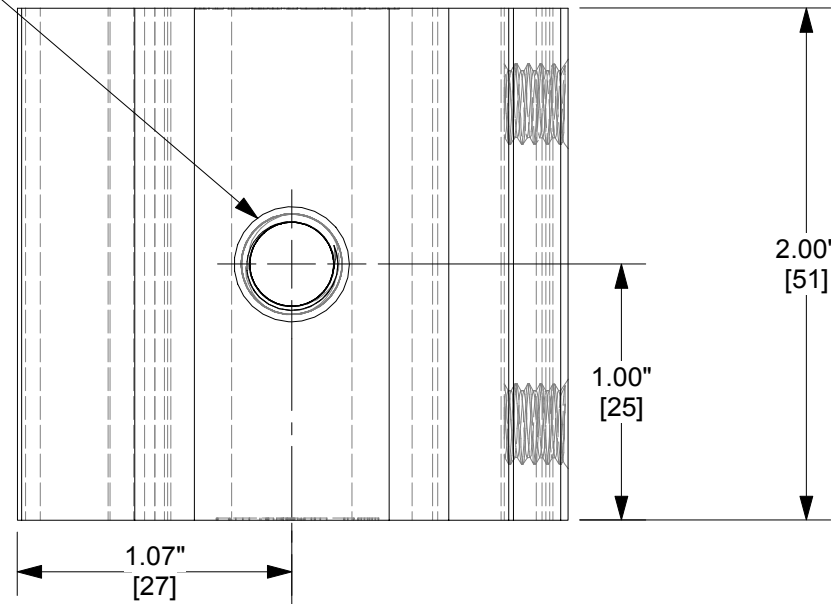


S-5-K GRIP

S-5-GX 10 (INSERT)

M10-1.5 THREADED HOLE

TOP



1.73" [44]

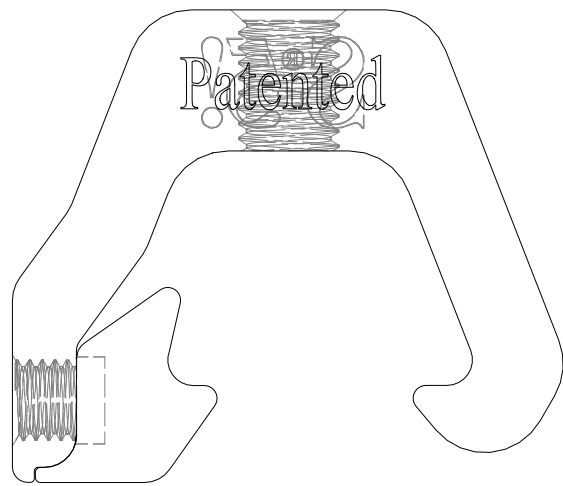
1.05" [27]

.77" [19]

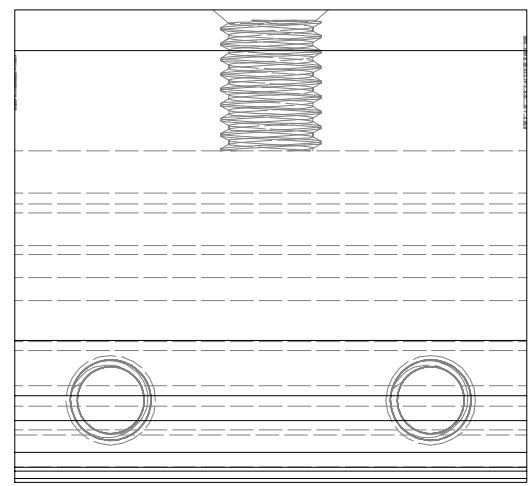
1.32" [33]

2.15" [55]

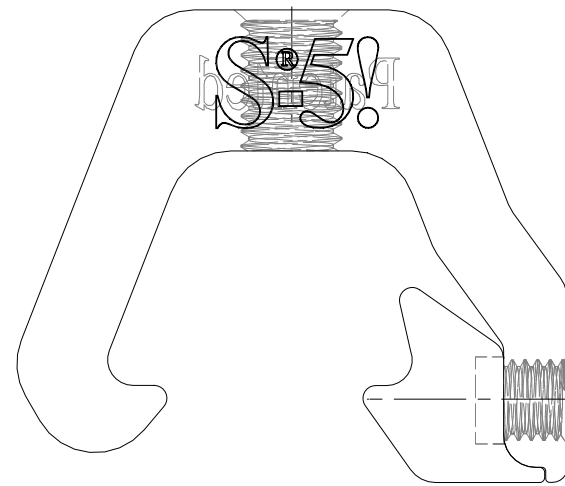
SCALE: 2X



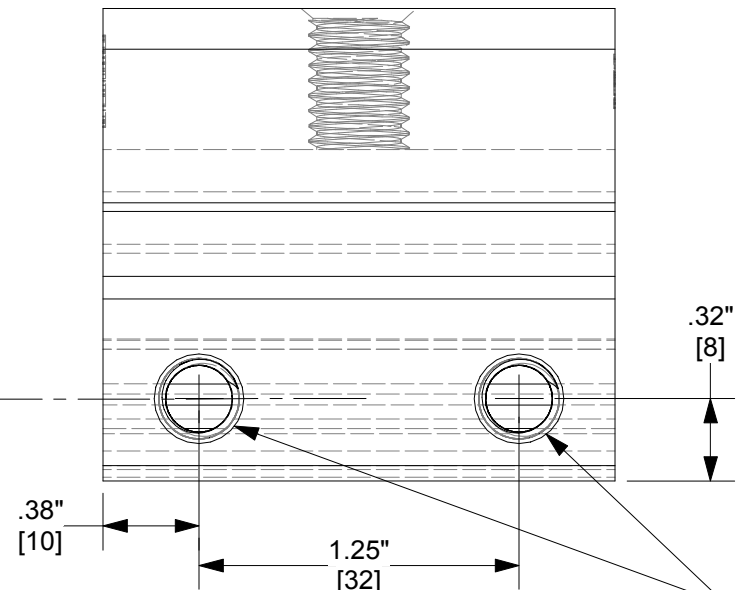
BACK



LEFT



FRONT

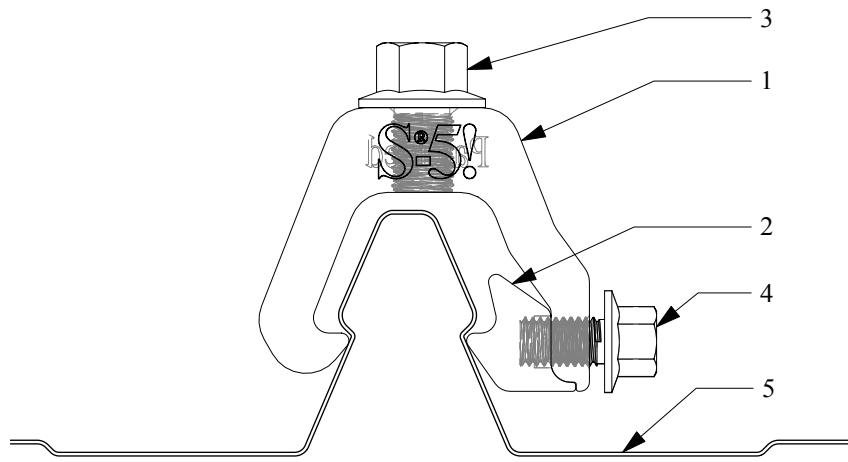


RIGHT

(2X) M8-1.25 THREADED HOLE

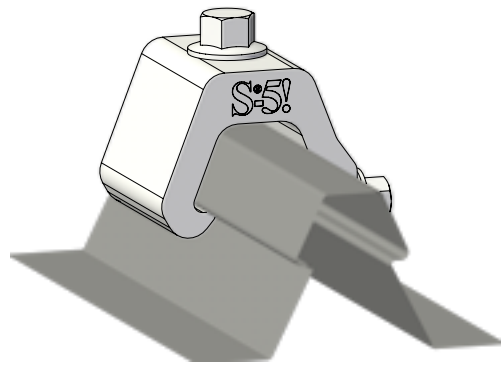
Notes

1. S-5-K GRIP
2. S-5-GX 10 (406)
3. M10-1.5 X 16MM HEX FLANGE BOLT
4. M8-1.25 X 16MM HEX FLANGE BOLT
5. EXAMPLE PROFILE



FOR STANDING SEAM SPECIFIC MECHANICAL LOAD TEST INFORMATION AND CLAMP INSTALLATION INFORMATION PLEASE VISIT: WWW.S-5.COM

MATERIAL: 6000 SERIES AL	 The Right Way!	METAL ROOF INNOVATIONS, LTD. 8655 TABLE BUTTE RD COLORADO SPRINGS, CO 80908 719-495-0518 719-495-0045 (FAX)	
EST ASSEMBLY WEIGHT :			
SUPPLIED HARDWARE: (1) M10-1.5 X 16MM (16MM HEX) 18/8 SS (2) M8-1.25 X 16MM (13MM HEX) 18/8 SS	TITLE S-5-K GRIP WITH GX 10 INSERT		
SCALE: 1:0.75	DRAWING NO. KG47-A 2013	DRAWN BY MS	DATE 02/15/2013
OTHER:	S-5!® PRODUCTS ARE PROTECTED BY MULTIPLE U.S. PATENTS INCLUDING 5,228,248, 5,983,588 AND 6,164,033 (OTHERS ISSUED AND PENDING). EUROPEAN PATENTS ARE ALSO APPLIED FOR AND PENDING UNDER THE PATENT COOPERATION TREATY WITH DIVISIONAL FILING RIGHTS RETAINED. METAL ROOF INNOVATIONS, LTD. (LICENSOR OF S-5!® TECHNOLOGY) AGGRESSIVELY PROSECUTES PATENT INFRINGEMENT.		

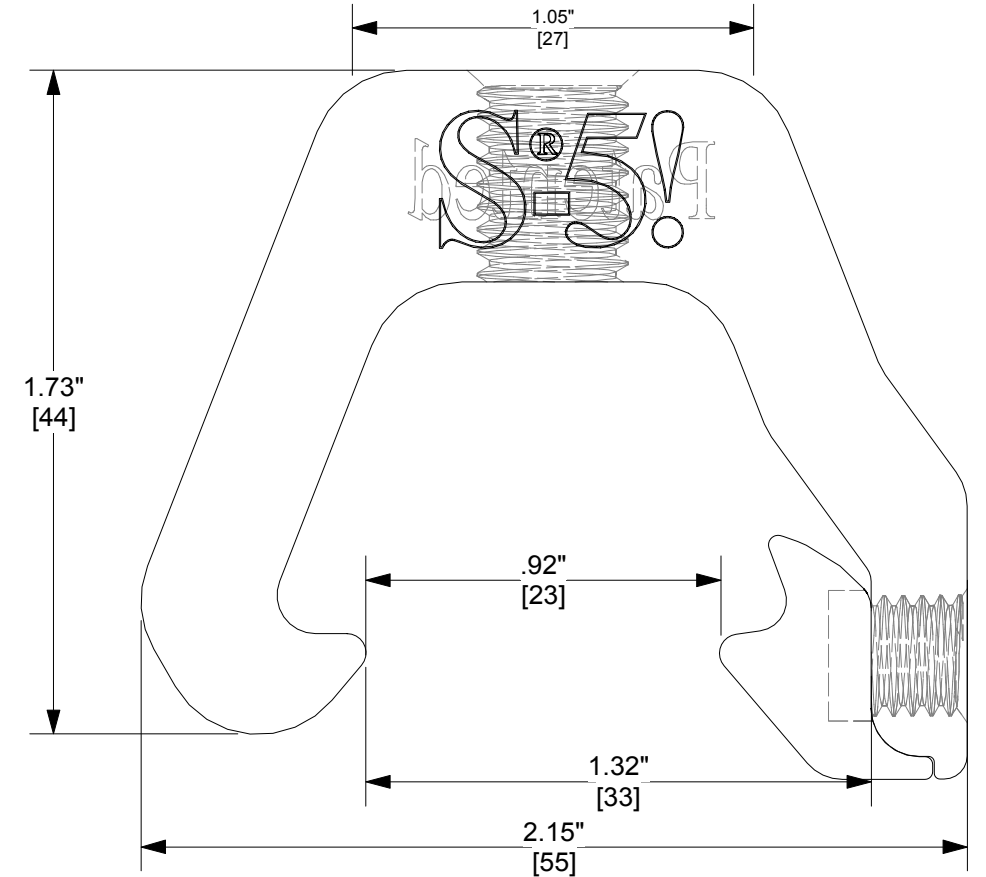
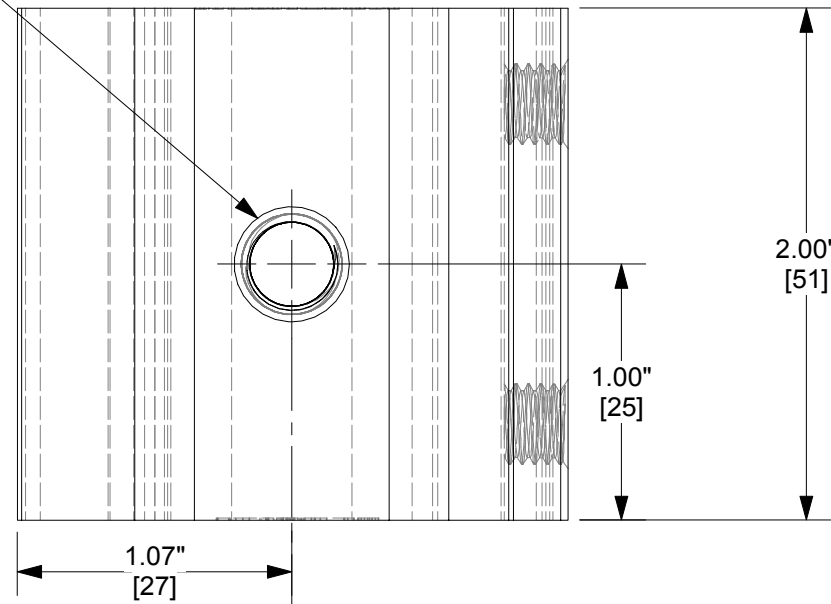


S-5-K GRIP

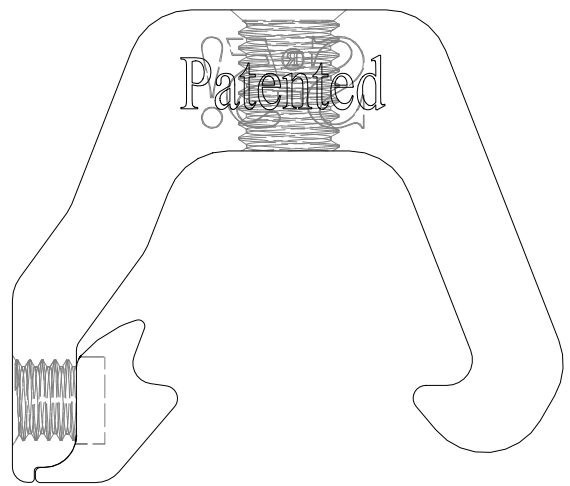
S-5-GX 50 (INSERT)

M10-1.5 THREADED HOLE

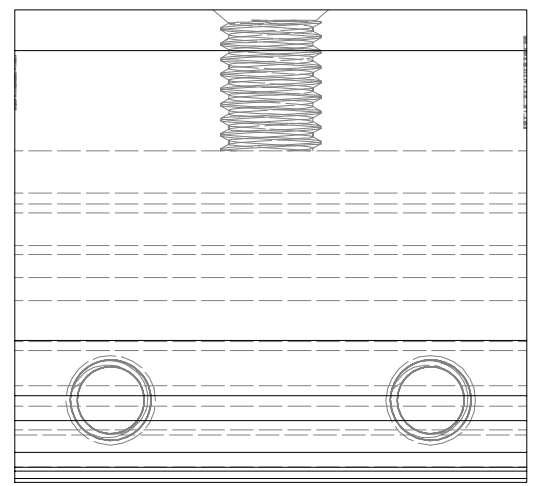
TOP



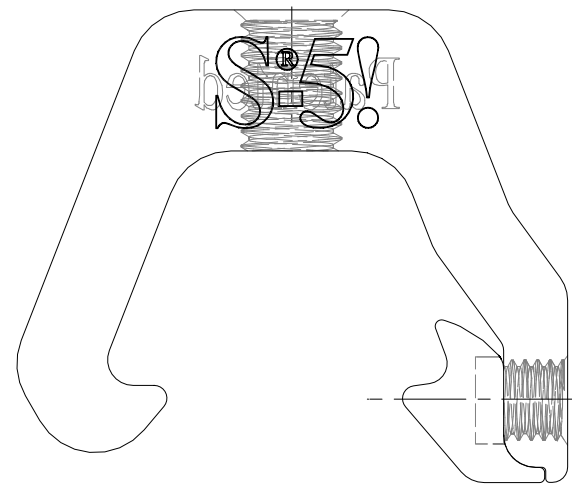
SCALE: 2X



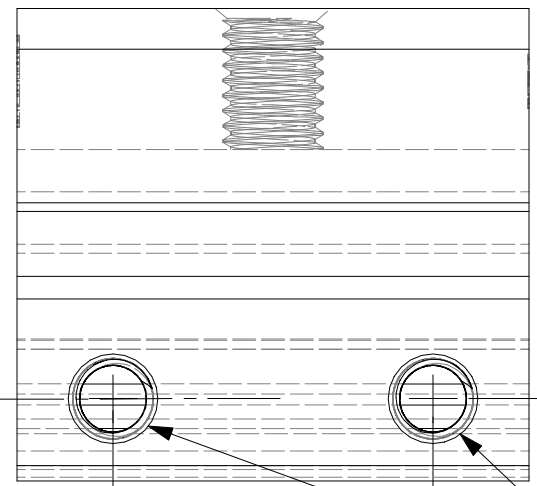
BACK



LEFT



FRONT

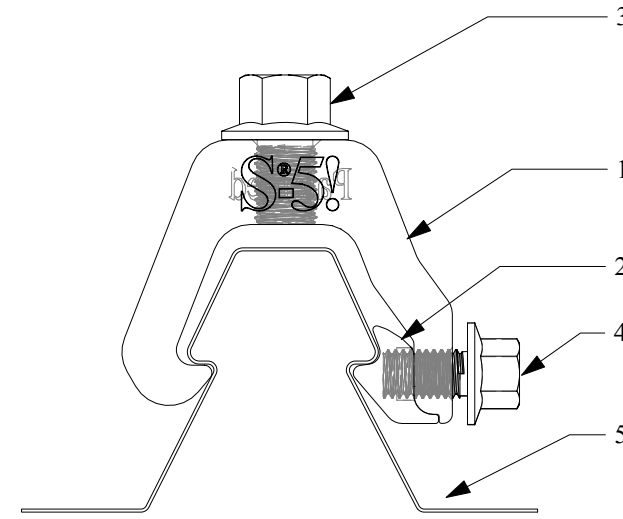
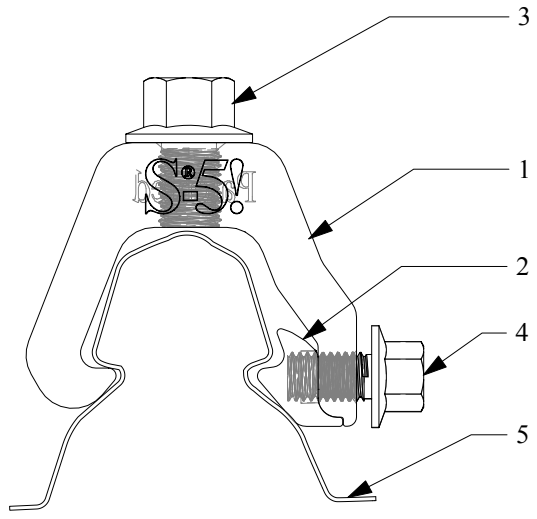


RIGHT

(2x) M8-1.25 THREADED HOLES

Notes

1. S-5-K GRIP
2. S-5-GX 50 (700)
3. M10-1.5 X 16MM HEX FLANGE BOLT
4. M8-1.25 X 16MM HEX FLANGE BOLT
5. EXAMPLE PROFILE



FOR STANDING SEAM SPECIFIC MECHANICAL LOAD TEST INFORMATION AND CLAMP INSTALLATION INFORMATION PLEASE VISIT: WWW.S-5.COM

MATERIAL:	6000 SERIES AL
EST ASSEMBLY WEIGHT :	
SUPPLIED HARDWARE:	(1) M10-1.5 X 16MM (16MM HEX) 18/8 SS (2) M8-1.25 X 16MM (13MM HEX) 18/8 SS
SCALE:	1:0.75
OTHER:	



METAL ROOF INNOVATIONS, LTD.
8655 TABLE BUTTE RD
COLORADO SPRINGS, CO 80908
719-495-0518
719-495-0045 (FAX)

TITLE			S-5-K GRIP WITH GX 50 INSERT		
DRAWING NO.	KG47-A 2013	DRAWN BY	MS	DATE	02/15/2013
<small>S-5!® PRODUCTS ARE PROTECTED BY MULTIPLE U.S. PATENTS INCLUDING 5,228,248, 5,983,588 AND 6,164,033 (OTHERS ISSUED AND PENDING). EUROPEAN PATENTS ARE ALSO APPLIED FOR AND PENDING UNDER THE PATENT COOPERATION TREATY WITH DIVISIONAL FILING RIGHTS RETAINED. METAL ROOF INNOVATIONS, LTD. (LICENSOR OF S-5!® TECHNOLOGY) AGGRESSIVELY PROSECUTES PATENT INFRINGEMENT.</small>					