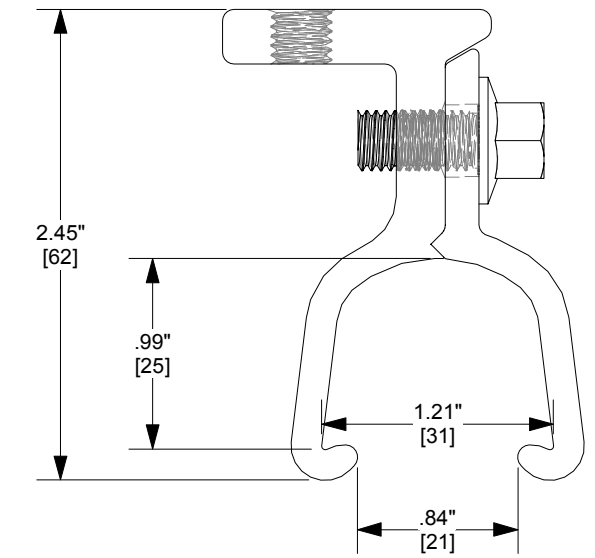
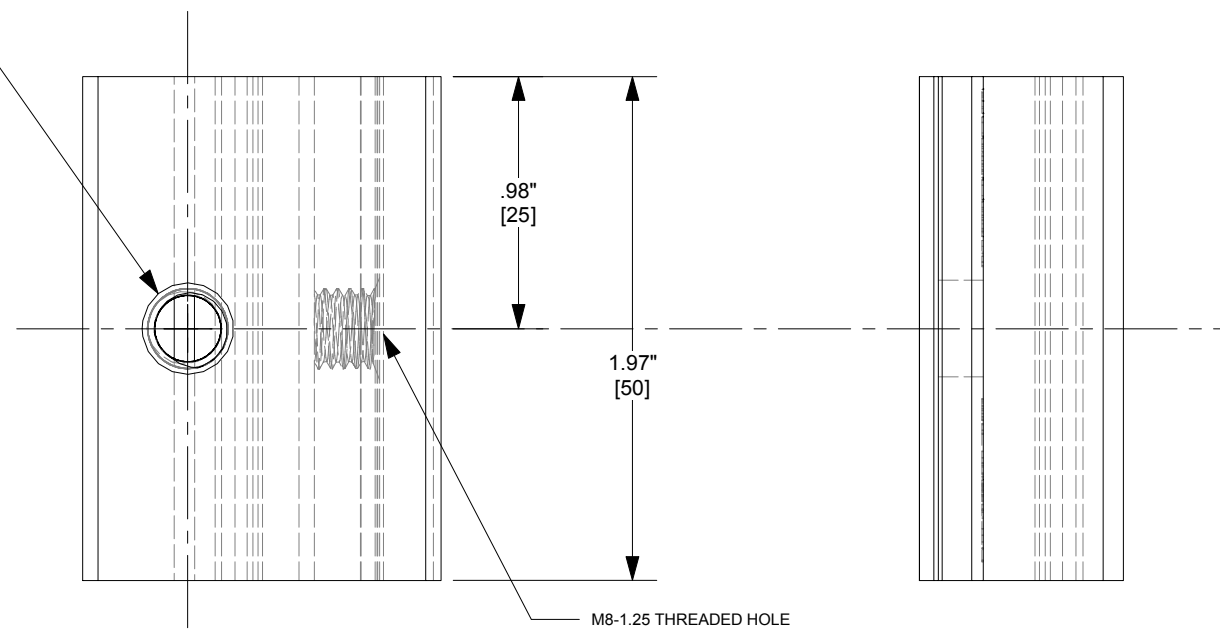
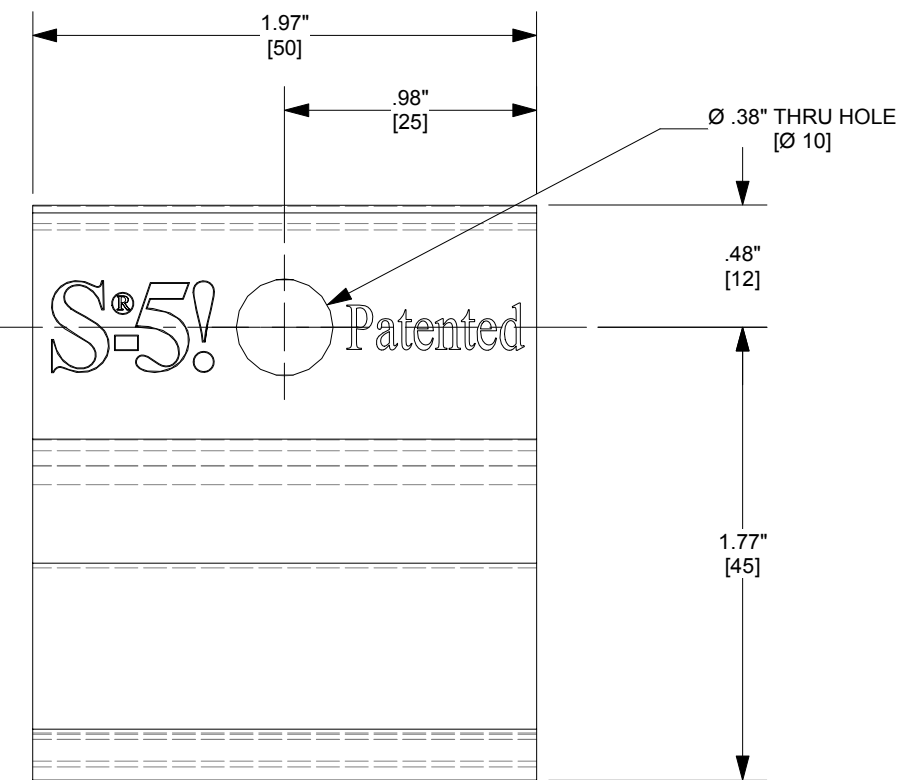
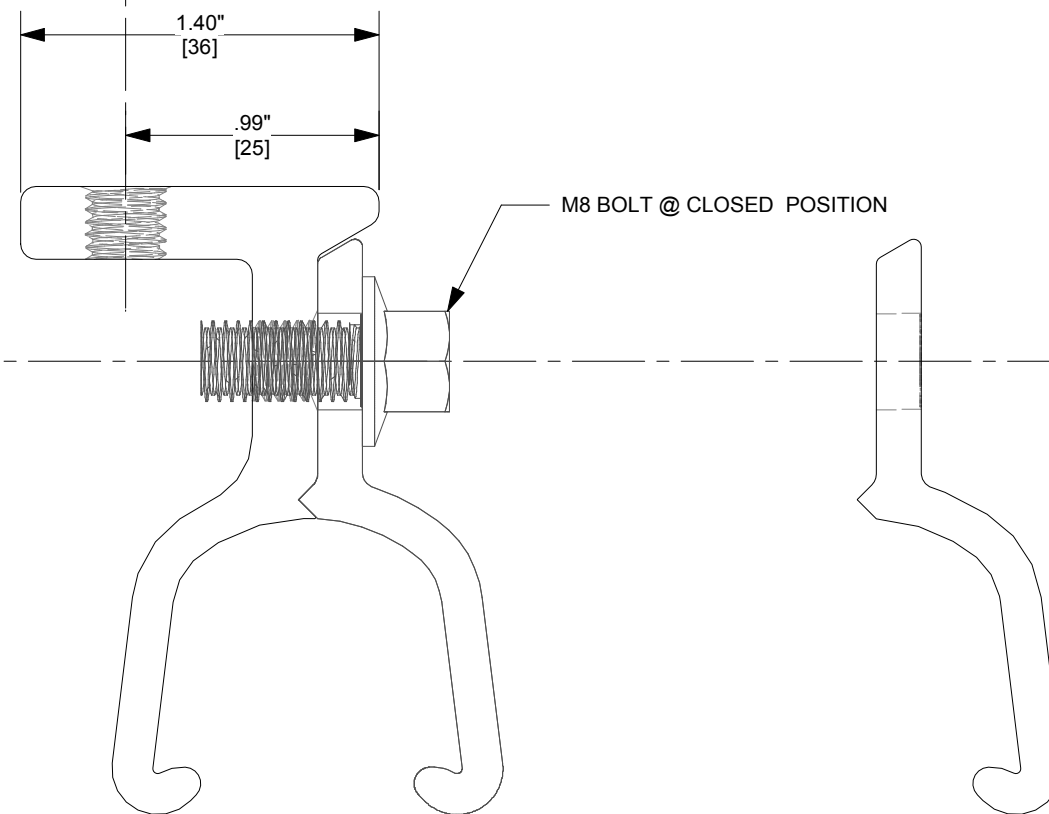
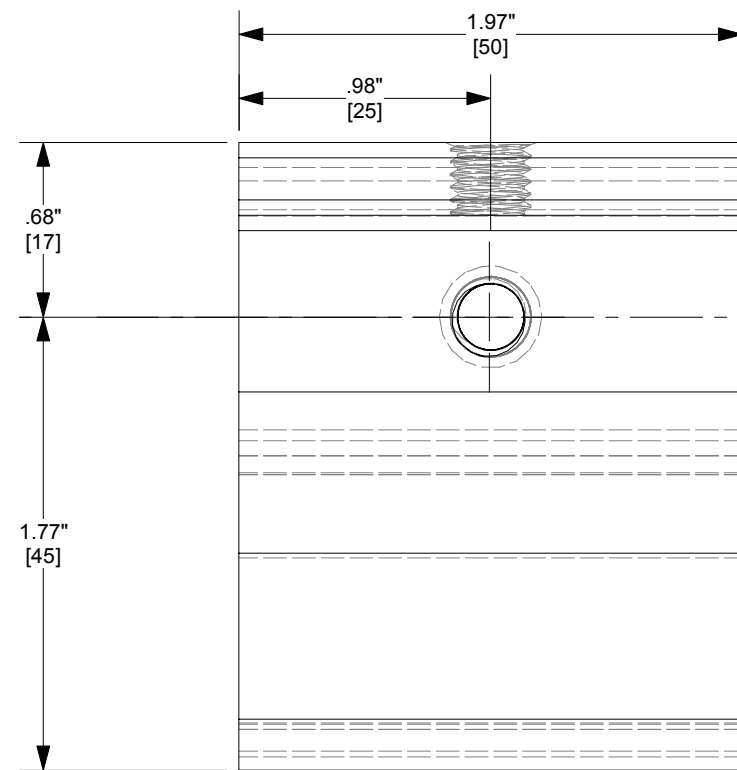


M8-1.25 DRILL THREADED HOLE



M8-1.25 THREADED HOLE

M8 BOLT @ CLOSED POSITION



MATERIAL:	6061 T6
EST ASSEMBLY WEIGHT :	LBS: .3
SUPPLIED HARDWARE:	(2) M8-1.25 HEX FLANGE BOLT
SCALE:	1:0.75
OTHER:	NA



METAL ROOF INNOVATIONS, LTD.
 8655 TABLE BUTTE RD
 COLORADO SPRINGS, CO 80908
 719-495-0518
 719-495-0045 (FAX)

TITLE: **S-5-K 700 CCD**

DRAWING NO: **K70-B-0-B_K71-B-0-B CCD** DRAWN BY: **DMMH** DATE: **05/28/2012**

S-5!® PRODUCTS ARE PROTECTED BY MULTIPLE U.S. PATENTS INCLUDING 5,228,248, 5,983,588 AND 6,164,033 (OTHERS ISSUED AND PENDING). EUROPEAN PATENTS ARE ALSO APPLIED FOR AND PENDING UNDER THE PATENT COOPERATION TREATY WITH DIVISIONAL FILING RIGHTS RETAINED. METAL ROOF INNOVATIONS, LTD. (LICENSOR OF S-5!® TECHNOLOGY) AGGRESSIVELY PROSECUTES PATENT INFRINGEMENT.