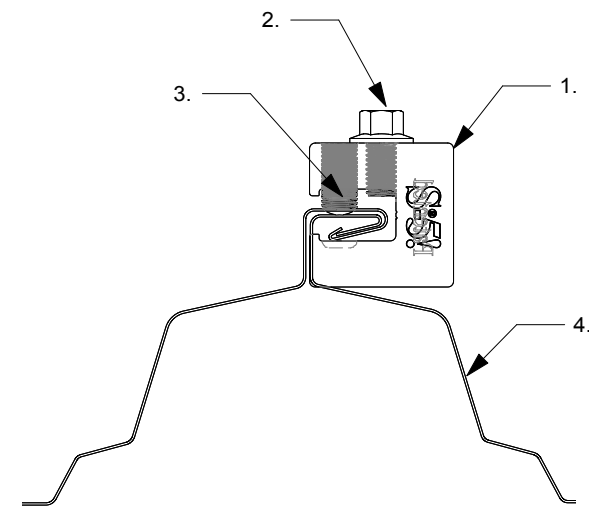
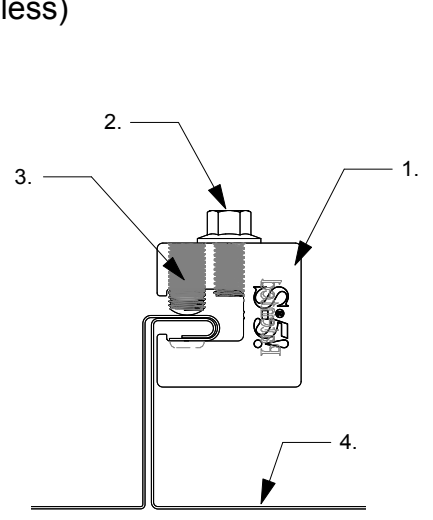



**General Notes**

1. S-5-H90
2. M8-1.25 x 16mm Hex Flange Bolt (Stainless)
3. 3/8-24 x .800" Round Point Setscrew (Stainless)
4. Example Roof



**FOR STANDING SEAM SPECIFIC MECHANICAL LOAD TEST INFORMATION AND CLAMP INSTALLATION INFORMATION PLEASE VISIT: WWW.S-5.COM**

MATERIAL: <b>6000 SERIES</b>	 <p><b>S-5!</b> The Right Way!</p>	METAL ROOF INNOVATIONS, LTD. 8655 TABLE BUTTE RD COLORADO SPRINGS, CO 80908 719-495-0518 719-495-0045 (FAX)	
EST ASSEMBLY WEIGHT : <b>.4 LBS</b>		TITLE <b>S-5-H90</b>	
SUPPLIED HARDWARE: M8-1.25 X 16MM (13MM HEX) 18-8 SS 3/8-24 X .800" 18-8 SS	DRAWING NO. <b>U11-B-14-A CCD</b>	DRAWN BY <b>DMMH</b>	DATE <b>09/19/2014</b>
SCALE: <b>1:0.75</b>	<small>S-5!® PRODUCTS ARE PROTECTED BY MULTIPLE U.S. PATENTS INCLUDING 5,228,248, 5,983,588 AND 6,164,033 (OTHERS ISSUED AND PENDING). EUROPEAN PATENTS ARE ALSO APPLIED FOR AND PENDING UNDER THE PATENT COOPERATION TREATY WITH DIVISIONAL FILING RIGHTS RETAINED. METAL ROOF INNOVATIONS, LTD. (LICENSOR OF S-5!® TECHNOLOGY) AGGRESSIVELY PROSECUTES PATENT INFRINGEMENT.</small>		
OTHER:			