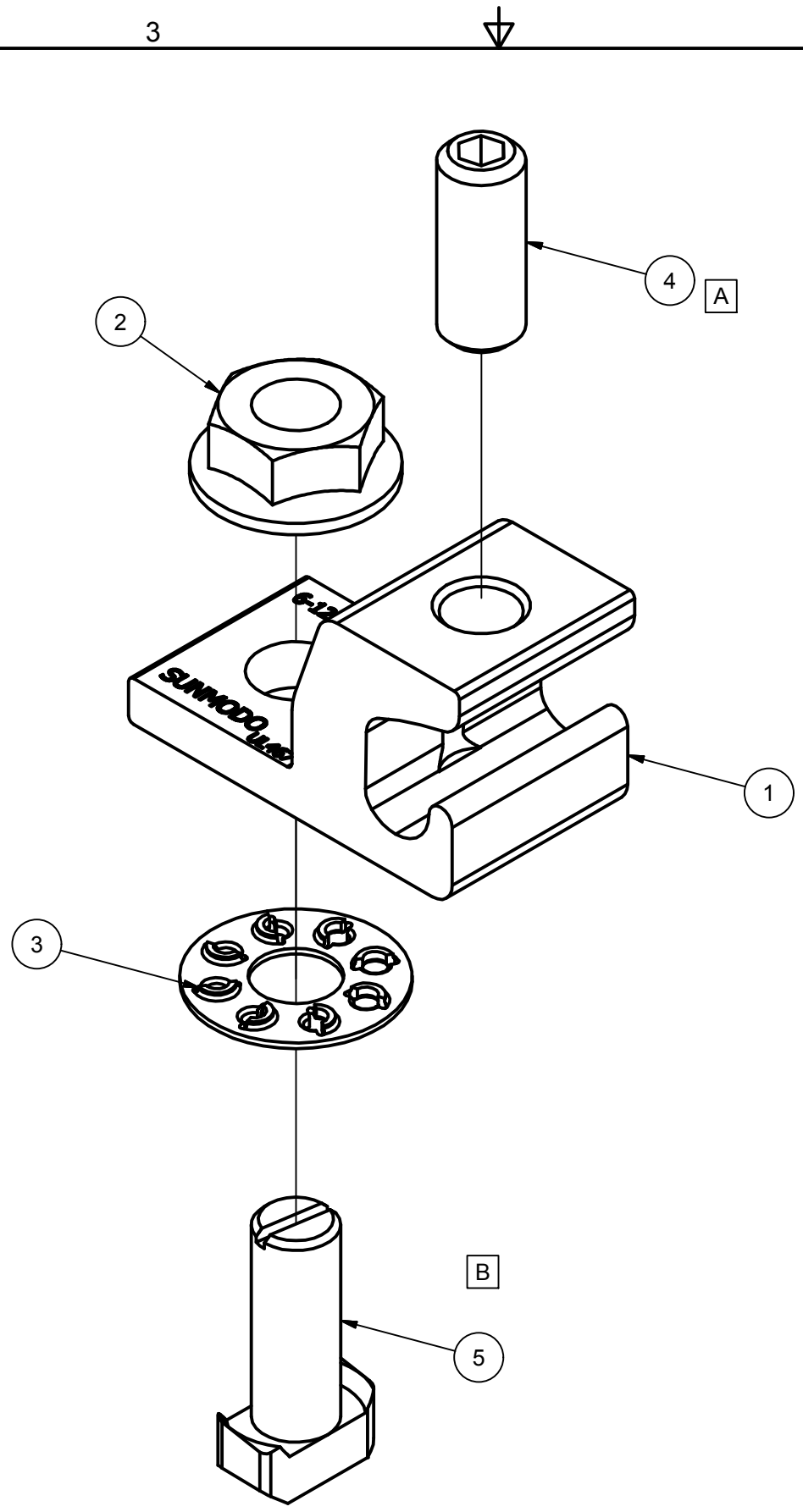


REVISIONS			
REV	DESCRIPTION	BY	DATE
A	ITEM 4 WAS 1/4-20 X 5/8 HEX BOLT	zcg	04/15/2015
B	ITEM 5 USE GROUNDING T BOLT	zcg	06/05/2015



ITEM	PART NUMBER	DESCRIPTION	QTY
5	B20028-001	GROUNDING T-Bolt 1/4 -20 X 5/8	1
4	B15044-001	SET SCREW 1/4-20 X 5/8	1
3	B15043-001	GROUNDING SPACER	1
2	B15002-001	FLANGE NUT 1/4-20	1
1	E10001-001	GROUNDING LUG	1

MATERIAL		SEE NOTES
Third Angle Projection:		
GENERAL SPECIFICATIONS		Break all sharp edges
All Dimensions in inches (millimeters)		.010-.020 unless otherwise specified.
Tolerances		
X.XX ±0.01 [0.25mm]		
X.XX ±0.02 [0.50mm]		
X.X ±0.039 [1.0mm]		
Unless otherwise specified		
DRAWN BY	DATE	
LIN	08/13/2015	
CHECKED BY		
APPROVALS		

Sunmodo Corp.	
1905 E 5TH STREET, STE A, VANCOUVER, WA 98661	
TITLE	
SELF-GROUNDING LUG KIT	
DRAWING NUMBER	
B	K10179-001
SCALE:	NONE
SHEET	1 of 1

THIS DRAWING IS CONFIDENTIAL PROPERTY OF SUNMODO AND ITS CONTENTS MAY NOT BE DISCLOSED WITHOUT THE PRIOR WRITTEN CONSENT OF SUNMODO CORP.