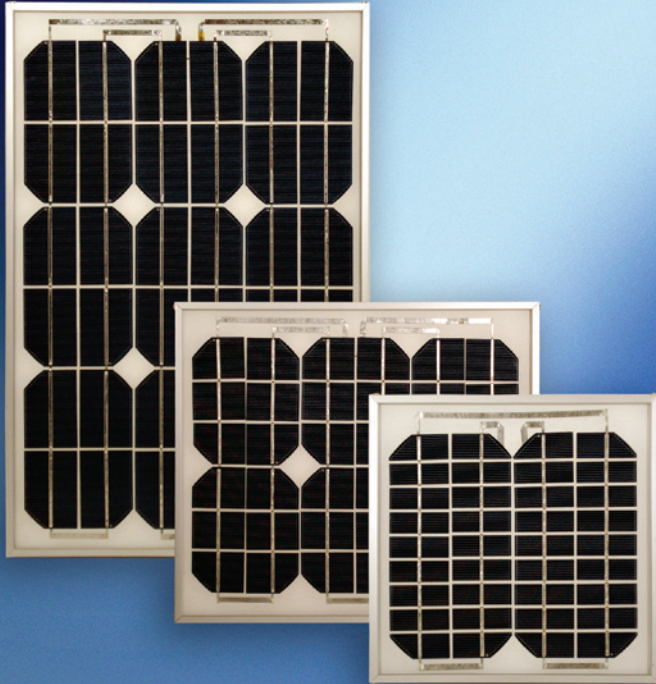


SunWize® SL Series Solar Modules



SunWize SL24, SL12 and SL6 watt module (shown L - R)

SunWize SL series modules deliver top-quality performance for all photovoltaic applications including rural electrification, water pumping, telemetry, lighting, and battery charging.

FEATURES:

- Factory tested to verify superior performance
- Vandal Resistant • Lightweight • Durable
- Flame Retardant • Pre-drilled mounting holes

Ideal for DC installations, each module consists of 36 solar cells connected in series providing maximum charging power. The glass surface allows maximum light transmission and is impact resistant to hailstone forces of a 1" diameter hailstone at terminal velocity (5 ft-lbs). Single crystalline solar cells are encapsulated and bonded to the glass in multiple layers of ethylene vinyl acetate (EVA) and laminated with a white Tedlar™ backing insuring long life in severe environmental conditions. Anodized aluminum frames add strength and durability to the modules and are constructed to withstand constant wind speeds of 110 mph and gusts to 133 mph.

The weather resistant junction box includes a moisture-tight strain relief connector. SunWize SL series modules are manufactured in accordance to ISO 9002 standards, and comply with U.S. and international standards. SL series modules are FM approved non-incendive for Class 1, Div. 2, Groups ABC & D hazardous (classified) locations, and carry a 10-year, 80% power output warranty.

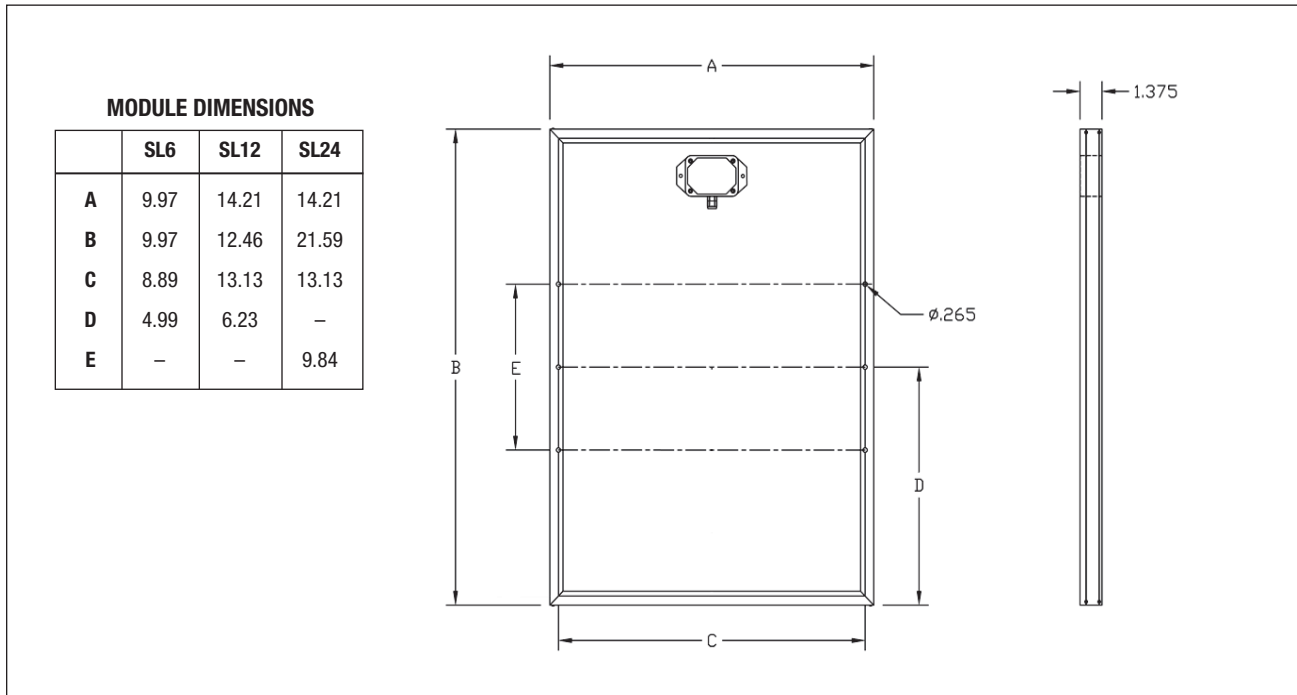
Model	Rated Power (Watts)	Rated Voltage (Vmp)	Rated Current (Imp)	Open Circuit (Voc)	Short Circuit (Isc)	Dims (Inches)	Unit Wgt (lbs)
SL6	6	18.7	0.30	22.4	0.33	9.97 x 9.97	2.1
SL12	12	18.7	0.61	22.4	0.65	14.21 x 12.46	3.7
SL24	24	18.7	1.28	22.4	1.37	21.59 x 14.21	6.4

ELECTRICAL SPECIFICATIONS: ±10% @25°C @ 1000W/M²

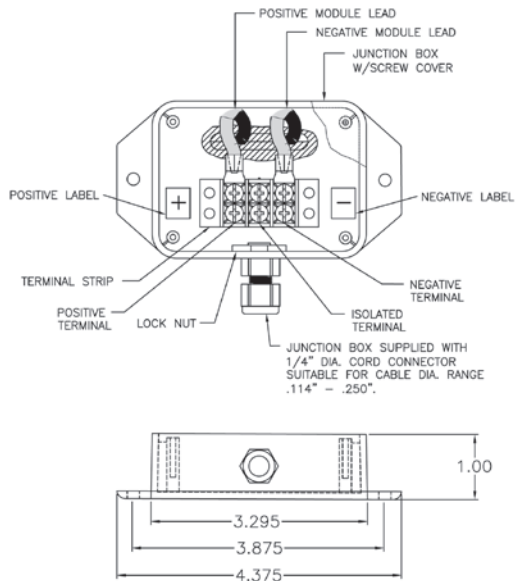


SunWize® SL Series Solar Modules

Physical Characteristics



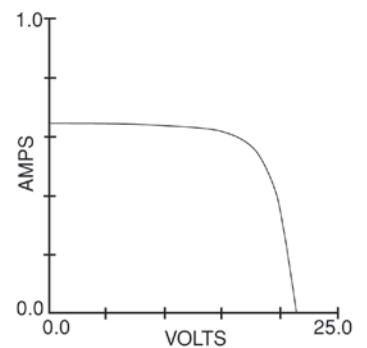
SL Series Junction Box



Junction Box Features:

- Moisture tight strain relief connector suitable for cable diameter range 0.114 to .25"
- Accommodates 14AWG-2 conductor cable
- Binding clamp screw terminal accepts stripped wire
- Spare isolated terminal allows addition of blocking diode
- Screw cover junction box
- Sunlight resistant
- ABS high temperature plastic

SL12 Electrical Characteristics



NOTE: IV curve is typical for all of the SL modules. Refer to chart on page 1 for key data points on curve for the SL6 and the SL24 modules.