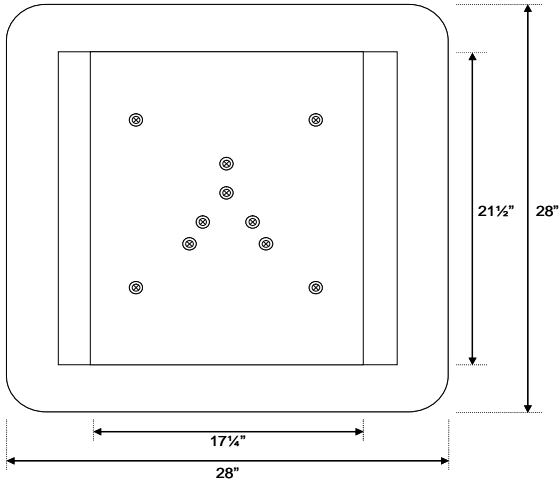


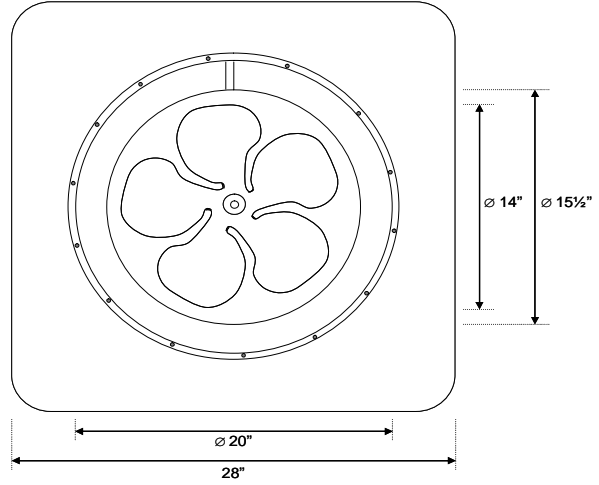
# Technical Data Sheet

**Model:** AB-258D  
**Description:** Solar powered ventilation fan; remote mounted PV panel; self-flashing housing; powder coated finish  
**Revision:** 1  
**Date:** 11-Aug-10  
**DCN:** TDS-1025

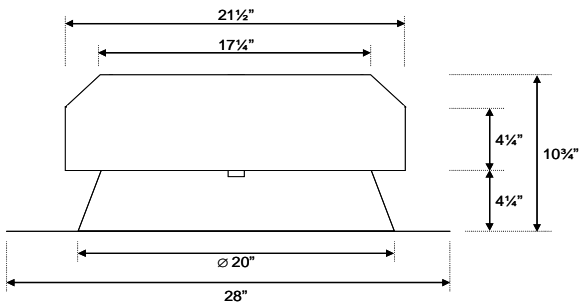
Top View



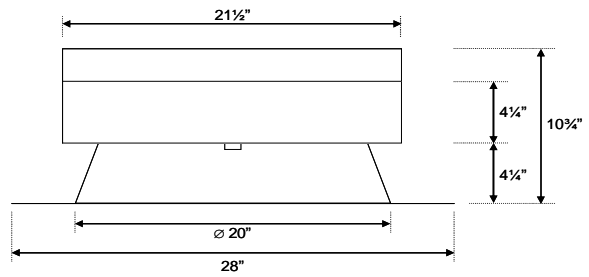
Bottom View



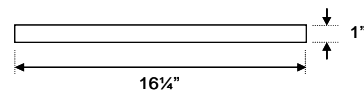
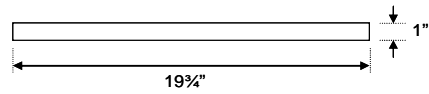
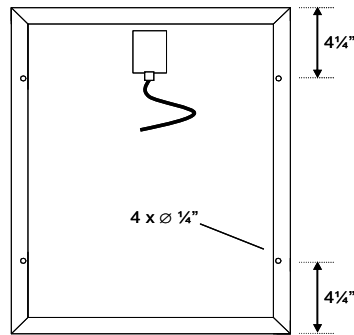
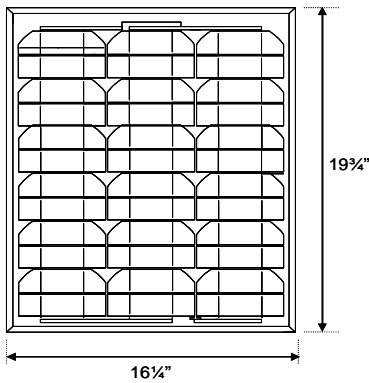
Front View



Side View



Remote Solar Panel



# Model AB-258D Specifications

## **Material of Construction**

Fan Housing: 24 GA Zincolume (ASTM A792 - 55% Aluminum-Zinc Alloy Coated by Hot-Dip Process)  
Rodent Screen: 1/4" Mesh Stainless Steel Screen  
Fan Blade: Proprietary 14" 5-Wing Aluminum Blade with Integrated Balanced Hub  
PV Panel: Anodized Aluminum Frame with Impact Resistant Tempered Glass  
Finish: Powder Coated; TGIC polyester coating; 3-6 mils average thickness  
Hardware: Stainless Steel Brackets & Fasteners

## **Electrical**

Motor: Proprietary 38V variable speed DC motor  
PV Panel: Proprietary 25W monocrystalline panel, 36 cells  
Internal Wiring: 14 AWG; Wired Ready for Manual or Automatic Control  
Remote Cable: SJEOOW (or equivalent) UV/Weather Resistant Cable; 15' x 18AWGX2C  
Termination: UV/Weather Resistant Quick Connect Plugs

## **Performance**

Air Movement: 1550 CFM @ 0.0 inH<sub>2</sub>O  
Noise Level: < 1 sones (< 30 dB)  
Wind Rating: +115 PSF/-115 PSF; +170 MPH Wind Speed Equivalence\*; Florida Approval #FL13339.2,  
Florida Approval #FL13339.3 (optional *Attic Breeze*<sup>®</sup> Universal Bracket<sup>™</sup>)

## **Weight Load**

Fan Unit: 22 LBS  
Remote Panel: 6 LBS

\* Wind speed equivalence based on 30 foot mean roof height in Exposure B; wind zones 1-3; all roof pitches apply

