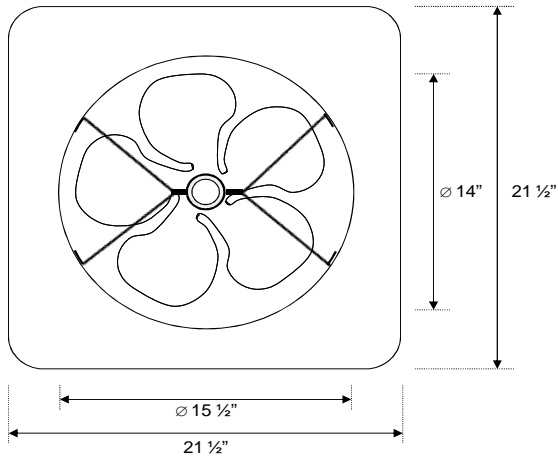


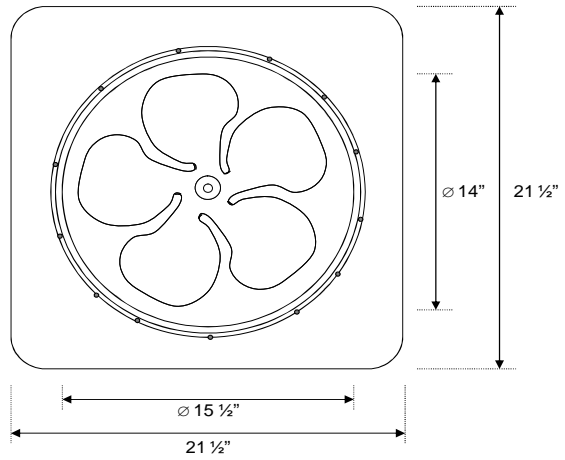
# Technical Data Sheet

**Model:** AB-605  
**Description:** Solar powered ventilation fan; remote mounted PV panel; gable mounted housing; natural finish  
**Revision:** 1  
**Date:** 27-Dec-11  
**DCN:** TDS-1041

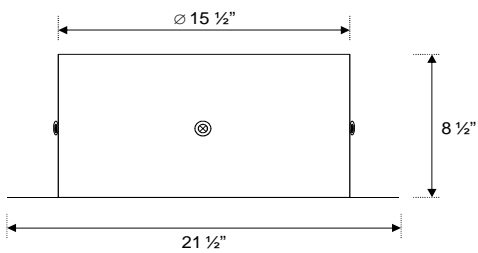
Top View



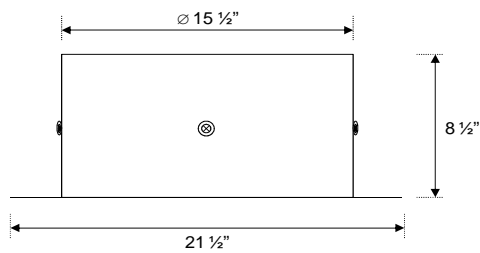
Bottom View



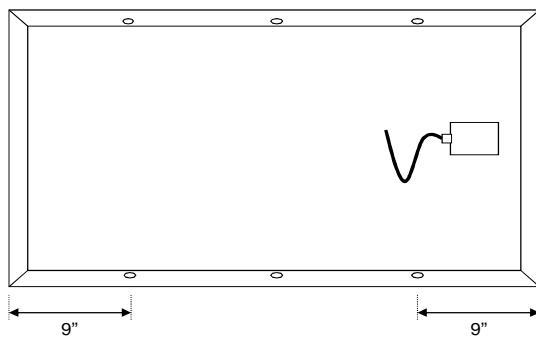
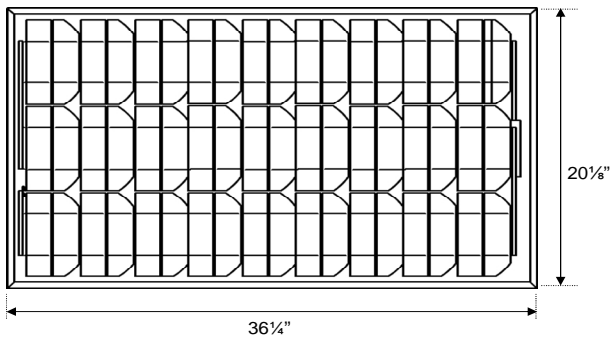
Front View



Side View



Remote Solar Panel



# Model AB-605 Specifications

## **Material of Construction**

Fan Housing: 24 GA AZ50 (Zincalume/Galvalume)  
Rodent Screen: N/A  
Fan Blade: Proprietary 14" 5-Wing Aluminum Blade with Integrated Balanced Hub  
PV Panel: Anodized Aluminum Frame with Impact Resistant Tempered Glass  
Finish: Natural Zincalume  
Hardware: Stainless Steel Brackets & Fasteners

## **Electrical**

Motor: Proprietary 38V variable speed DC motor  
PV Panel: Proprietary 60W monocrystalline solar panel  
Internal Wiring: 16 AWG; Wired Ready for Control Options  
Remote Cable: SJEOOW (or equivalent) UV/Weather Resistant Cable; 15' x 14AWGX2C  
Termination: UV/Weather Resistant Quick Connect Plugs

## **Performance**

Air Movement: 2050 CFM @ 0.0 inH2O  
Noise Level: < 1 sones (< 30 dB)  
Wind Rating: N/A

## **Weight Load**

Fan Unit: 15 LBS  
Remote Panel: 13 LBS

