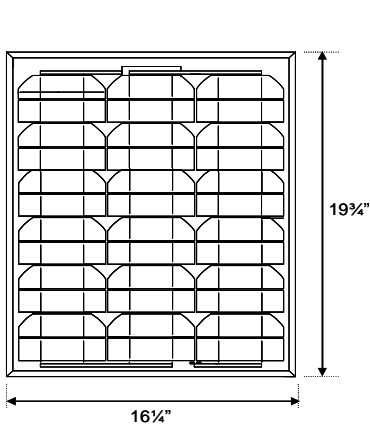
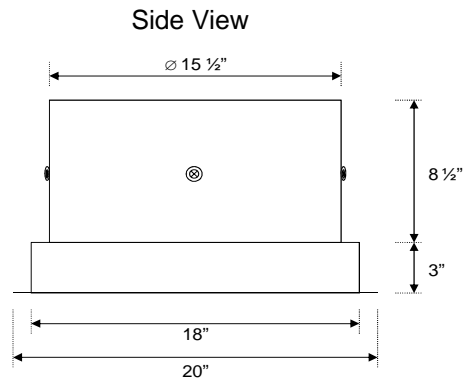
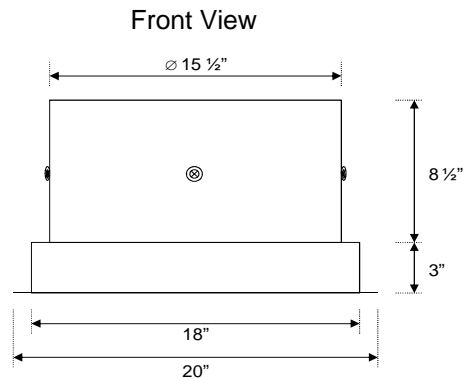
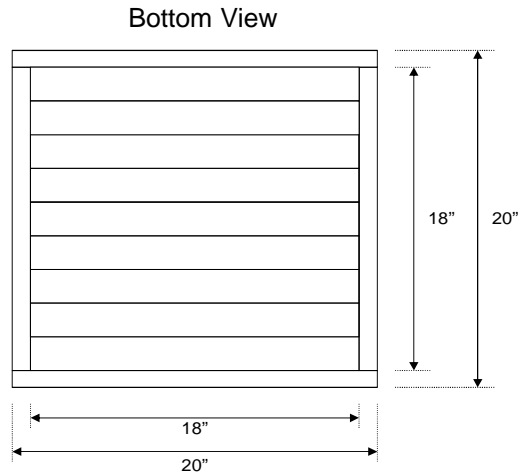
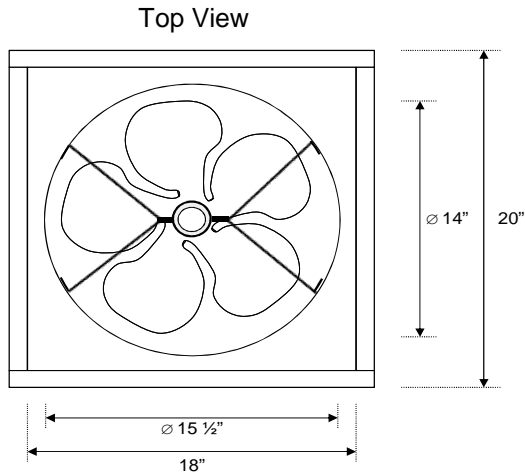
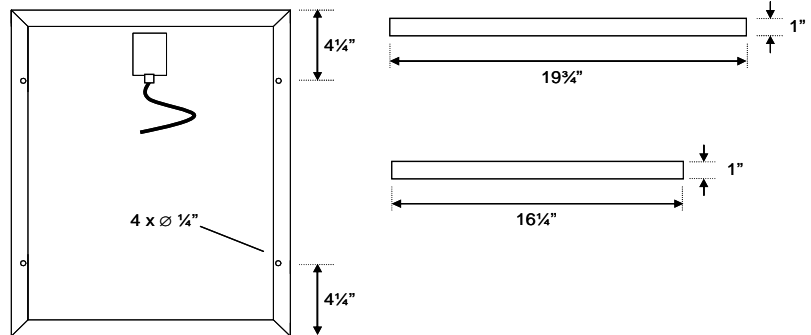


Technical Data Sheet

Model: AB-256C
Description: Solar powered ventilation fan; remote mounted PV panel; wall mount housing; natural finish
Revision: 1
Date: 11-Aug-10
DCN: TDS-1035



Remote Solar Panel



Model AB-256C Specifications

Material of Construction

Fan Housing: 24 GA Zincolume (ASTM A792 - 55% Aluminum-Zinc Alloy Coated by Hot-Dip Process)
Rodent Screen: 1/4" Mesh Stainless Steel Screen with 2" Static Louvers
Fan Blade: Proprietary 14" 5-Wing Aluminum Blade with Integrated Balanced Hub
PV Panel: Anodized Aluminum Frame with Impact Resistant Tempered Glass
Finish: Natural Zincolume
Hardware: Stainless Steel Brackets & Fasteners

Electrical

Motor: Proprietary 38V variable speed DC motor
PV Panel: Proprietary 25W monocrystalline panel, 36 cells
Internal Wiring: 14 AWG
Remote Cable: SJEOOW (or equivalent) UV/Weather Resistant Cable; 15' x 18AWGX2C
Termination: UV/Weather Resistant Quick Connect Plugs

Performance

Air Movement: 1550 CFM @ 0.0 inH₂O
Noise Level: < 1 sones (< 30 dB)
Wind Rating: N/A

Weight Load

Fan Unit: 20 LBS
Remote Panel: 6 LBS

