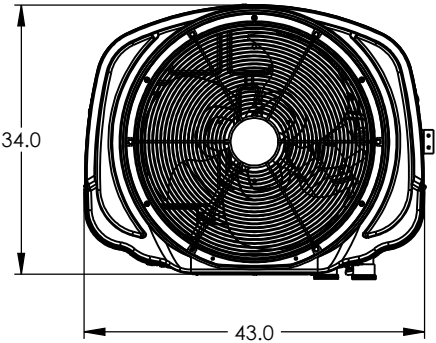


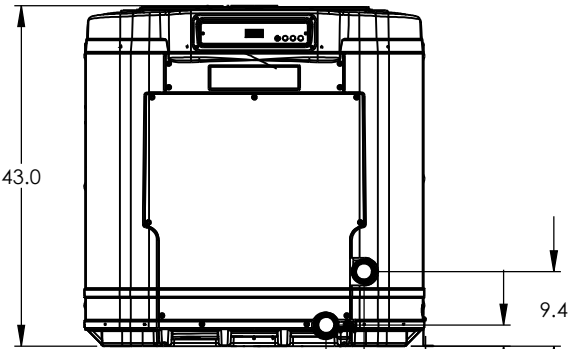
1 2 3 4 5 6 7 8

REVISION TABLE			
REV.	PCA NUMBER/DESCRIPTION	CHANGED BY	DATE
REL-A	PRODUCTION RELEASE	RENEEC	3/21/2008

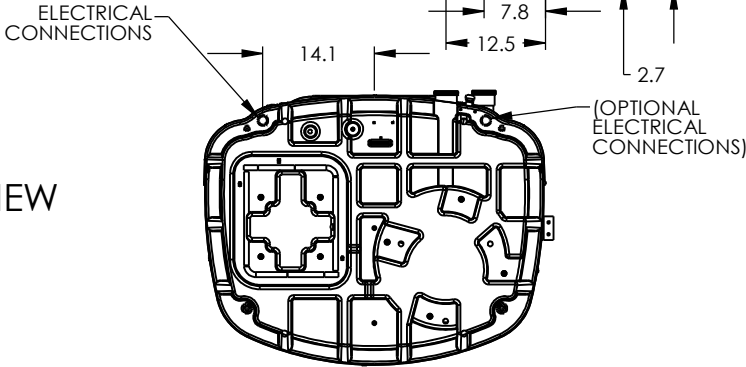
TOP VIEW



FRONT VIEW



BOTTOM VIEW



APPLICABLE MODEL NUMBER:  
SQ156

<p>The Innovative Leader In Pool &amp; Spa Water Conditioning Equipment</p> <p>2737 24th St. No. St. Petersburg, FL 33713</p>	<p>SALT CHLORINE GENERATORS</p>	
	<p>DESCRIPTION</p> <p><b>SQ156 UNIT OVERALL DIMENSIONS</b></p>	
<p>UNLESS OTHERWISE SPECIFIED, DIMENSIONS ARE IN INCHES. TOLERANCES ARE:</p> <p>DECIMALS      ANGLES</p>	<p>MODELED BY: RBC      DRAWN BY: RBC</p> <p>DATE: 03/26/07      DATE: 09/27/07</p> <p>PROJECT ENG: DKS      CHECKED BY: DKS</p>	<p>DESCRIPTION</p> <p><b>LTM0128</b></p>
<p>MATERIAL</p> <p>FINISH</p> <p>DO NOT SCALE DRAWING</p>	<p>INFORMATION CONTAINED IN THIS DRAWING IS THE SOLE PROPERTY OF AQUACAL AUTOPILOT, INC. ANY REPRODUCTION IN PART OR WHOLE WITHOUT WRITTEN PERMISSION OF AQUACAL AUTOPILOT, INC. IS PROHIBITED.</p>	<p>SCALE: 1:14</p> <p>DWG SIZE: B</p> <p>CAD FILE: SuperQuiet TI 2007</p> <p>SHEET 1 OF 1</p> <p>REVISION REL-A</p> <p>Last Revision: 02/16/07</p>

CAD GENERATED DRAWING. DO NOT MANUALLY CHANGE.

1 2 3 4 5 6 7 8