

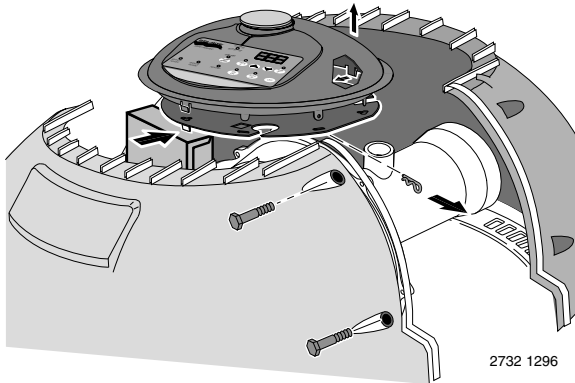
# No. 44401-1000 Sta-Rite In-House Remote Control

## Installation

### Heater Connection

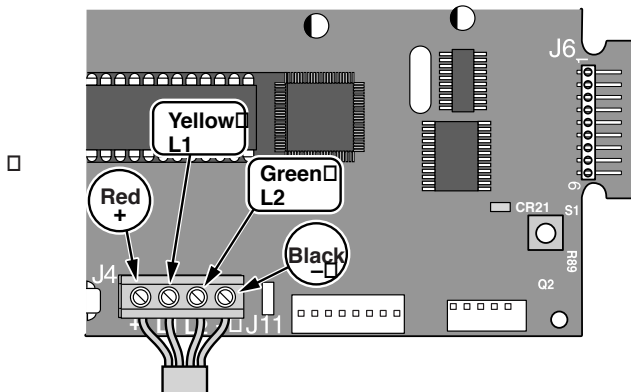
**⚠ WARNING** Hazardous voltage. Disconnect all power to the pool heater before beginning this installation procedure.

1. Unbolt and separate the jacket halves.
2. Pull the hairpin clips (see Figure 1).



**Figure 1: Remove jackets and control panel assembly.**

3. Depress the plastic clips on the control panel assembly and lift the panel off of the support plate. (see Figure 1).
4. Turn the control panel upside down to show the control board.
5. Connect ordinary 4-wire telephone cable to the RS485 terminal on the control board as shown in Figure 2. BE SURE to match the color code/sequence as shown in Figure 2.

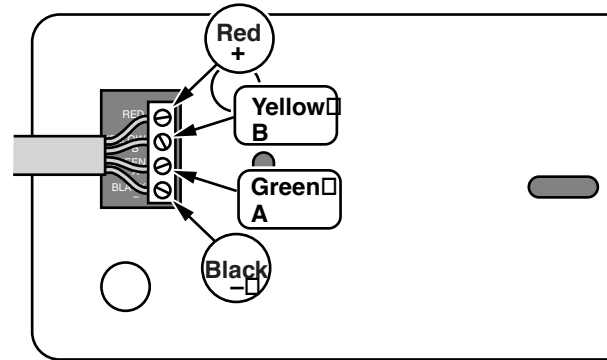


**Figure 2: Wiring Connection to Heater Control Board.**

6. Run the cable out through the heater's junction box.
7. Turn the control panel assembly right side up and reinstall it in the same position that it was in.
8. Replace the hairpin clips.
9. Replace jacket halves and bolts and tighten.

### In-House Connection

1. Run the cable to the point in the house where you will mount the In-House Remote.
2. Pop the top panel off of the In-House Remote and mount the box on the wall with flat-head screws and anchors (user supplied). Be sure that the telephone cable end is through the cutout in the back of the box and extends far enough out of the wall to allow you to connect the In-House Remote control panel.
3. Connect the telephone wire to the In-House Remote's control board according to the color code on the board (see Figure 3).



**Figure 3: Wiring Connection to In-House Remote Control.**

4. Pop the top back onto the In-House Remote, restore power to the heater, and the Remote is ready for operation.

## Sta-Rite Pool/Spa Group

293 Wright Street, Delavan, WI 53115

North America: 800-752-0183, FAX 800-582-2217

International: 262-728-5551, FAX: 262-728-4461, TELEX: ITT 4970245

www.sta-ritepool.com

Union City, TN • Delavan, WI • Mississauga, Ont. • Murrieta, CA

## Operation

The In-House Remote allows you to independently set pool and spa water temperatures, program filter pump and auxiliary circuit start and stop times, manually start and stop the filter pump and auxiliary circuits, override timing cycles, and turn the heater off – all without going outdoors. It also monitors heater and system problems and repeats error messages which show on the heater control panel.

Note that the In-House Remote allows you to start, stop, and set cycle times on equipment and auxiliaries that have been programmed into the heater control box. It does not allow you to add or delete features. For example, if the heater is programmed with pool lights on the AUX 2 circuit, you can

set up the timer cycle for the lights on the In-House Remote. However, you cannot add lights to the set-up at the Remote; this must be done at the control box.

Also, note that while the heater control box sets up cycle times on a 24-hour clock in terms of start time and *duration* (Start at 1200, run 3 hours), the In-House Remote sets up cycle times in terms of *start and stop times* (start at 12:15 pm, stop at 3:45 pm). This allows more flexibility, as you can set a cycle to start or stop at any time through the In-House Remote. The am/pm display automatically follows the clock time through all operations.

Follow the steps illustrated for Remote operation.

## Operation/Programming Steps

Press PROGRAM once to put the In-House Remote into the Set Time Mode.

Press SELECT, then adjust the hours (the hours will blink) with the up and down arrows. The am/pm indicator will automatically follow the clock set time.

Press SELECT again, then adjust the minutes (the minutes will blink) with the up and down arrows.

Press SELECT a third time to exit the Set Time Mode.

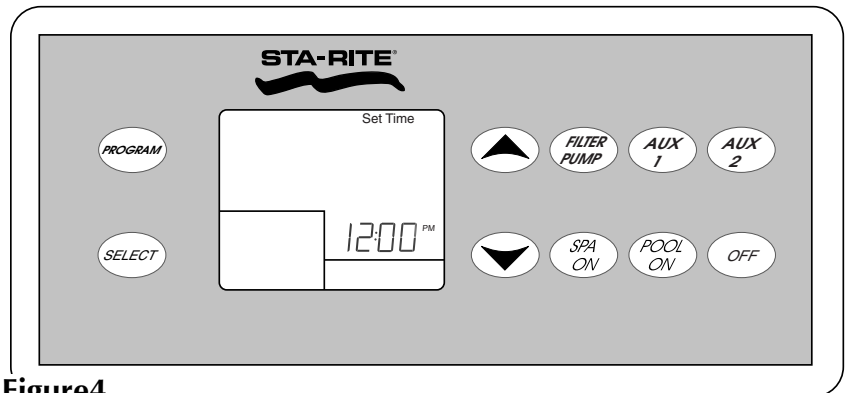


Figure 4

Press PROGRAM twice to put the In-House Remote into the Equipment Programming mode. The second push will display the first feature in the “Low Level Programming” sequence set up at the heater.

To scroll through the programmable equipment, push PROGRAM repeatedly. Each push will advance the display to the next item in the sequence.

Refer to S5600PS, Sta-Rite Pool/Spa Heater Control Box Installation and Service Manual, for more information about Low Level Programming.

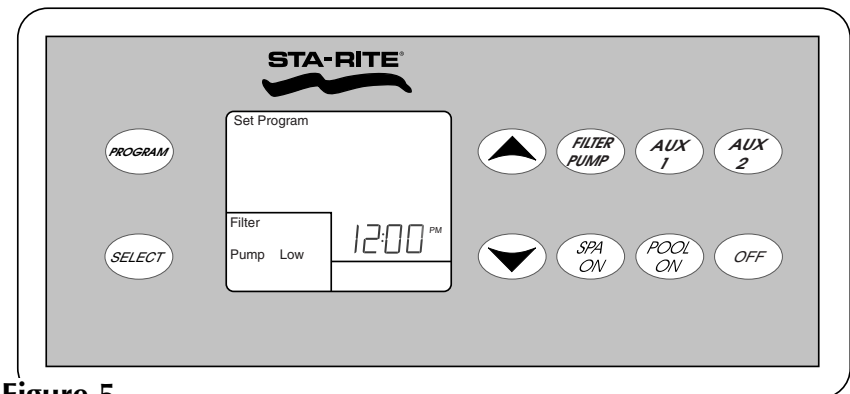


Figure 5

Press SELECT once you have arrived at the equipment you wish to program. The Start time will appear and the hours will blink. Adjust the hours with the up and down arrows. The am/pm indicator will automatically follow the clock set time through all the following operations.

Press SELECT again. The minutes will blink. Adjust the minutes with the up and down arrows.

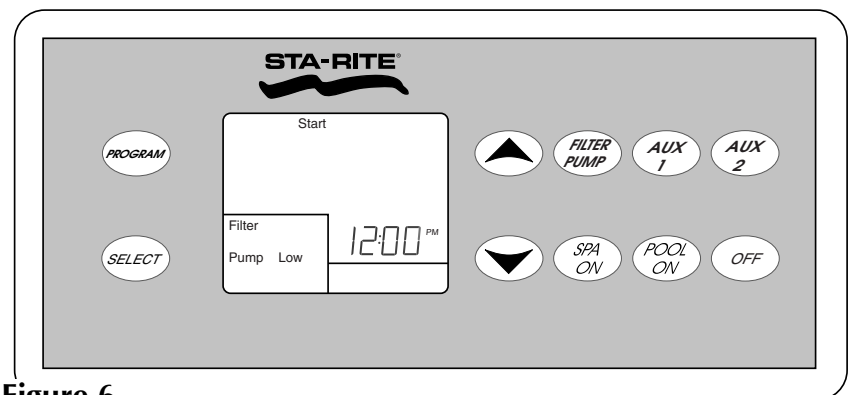


Figure 6

Press SELECT a third time. The Stop time will appear and the hours will blink. Adjust the hours with the up and down arrows.

Press SELECT again. The minutes will blink. Adjust the minutes with the up and down arrows.

Press PROGRAM to go on to the next feature.

Press SELECT to exit the programming mode.

Repeat the steps for all equipment programming.

**NOTE:** The name of any operating equipment will be displayed. If it blinks, it is running on its timer cycle. If it does not blink, it is running in manual mode. Equipment not running is not displayed.

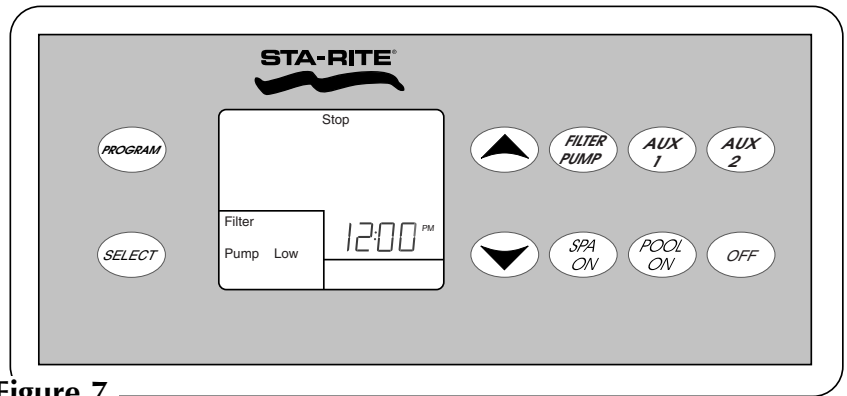


Figure 7

Press POOL ON to put the heater in Pool Mode and read the current pool temperature.

Adjust the temperature set point with the up and down arrows on the keyboard. The Remote will automatically lock in the new set point. The water temperature is displayed for about five seconds.

When the heater is operating, the flame symbol is displayed.

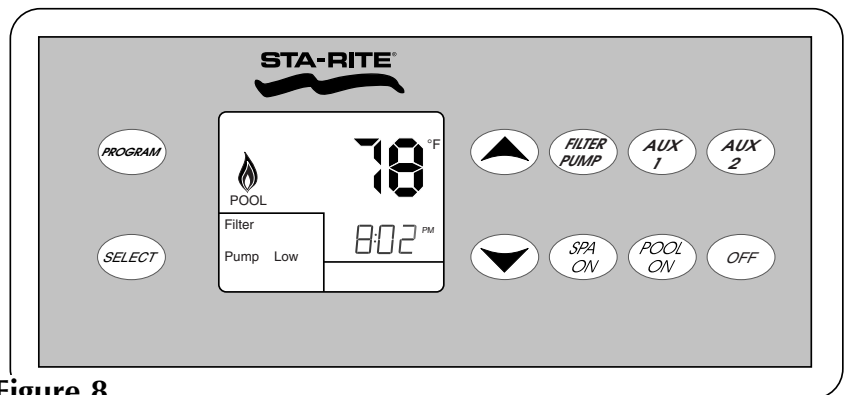


Figure 8

Press SPA ON to put the heater in Spa Mode and read the current spa temperature.

Adjust the temperature set point with the up and down arrows on the keyboard. The Remote will automatically lock in the new set point. The water temperature is displayed for about five seconds.

When the heater is operating, the flame symbol is displayed.

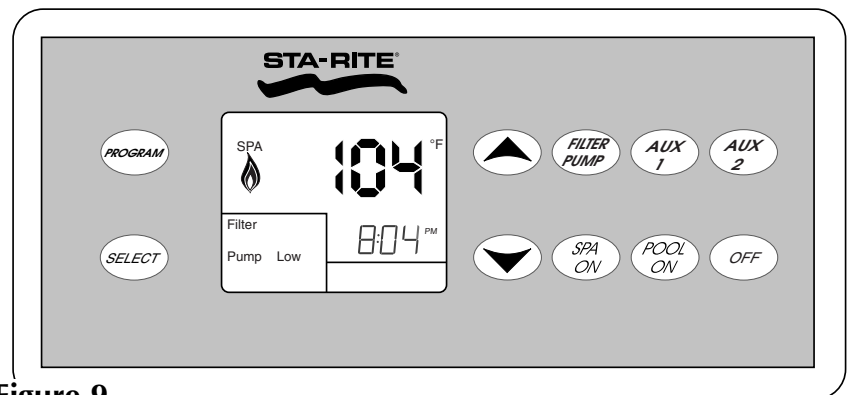


Figure 9

Press FILTER PUMP, AUX 1 or AUX 2 to manually start equipment.

Press the same button again to stop the equipment.

**NOTE:** If you manually start any equipment, it will run until you stop it. If you override the timer cycle to stop equipment that was started by the timer, it will automatically restart at the next normal timer start time.

**NOTE:** The name of any operating equipment will be displayed. If it blinks, it is running on its timer cycle. If it does not blink, it is running in manual mode. Equipment not running is not displayed.

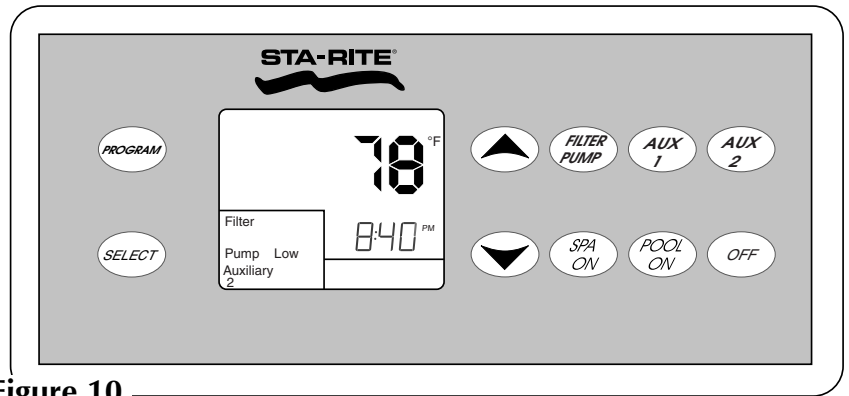


Figure 10

The panel displays SERVICE HEATER if there is a problem with the heater. If you see this display, call your authorized heater repair technician.

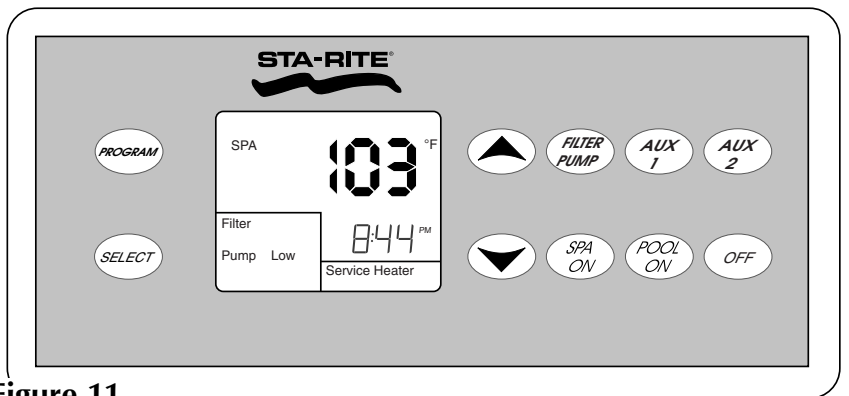


Figure 11

The panel displays SERVICE SYSTEM if a problem with the plumbing system affects heater operation. If you see this display, call your pool service professional.

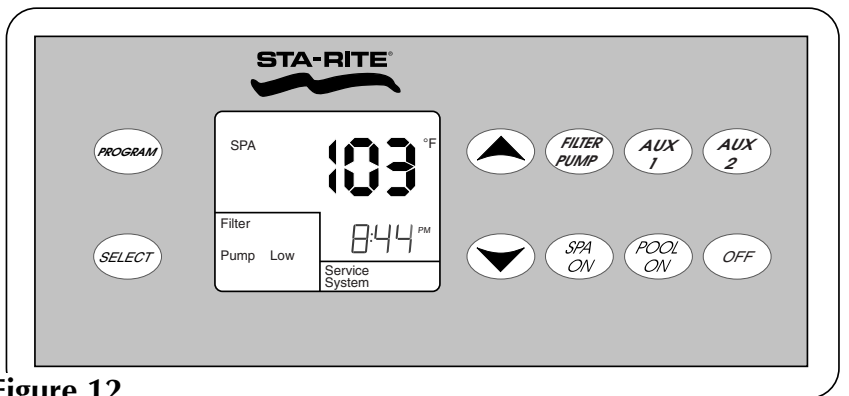


Figure 12