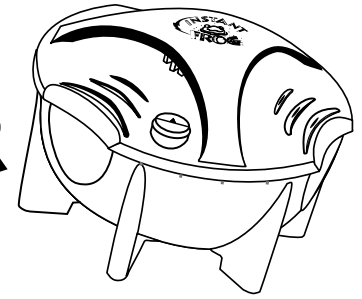




# Instant FROG MINERAL PURIFIER

## Instruction Manual



### Specifications

- For inground pools ONLY.
- Purifies up to 30,000 gallons.
- Lasts 6 months once product is wetted.
- Easy to set reminder dial for product replacement.
- Cut chlorine levels to 0.5–1 ppm. (With chlorinator or floater turn setting down or use fewer tablets.)

### Pool Start Up

1. Balance water according to the pool guidelines.

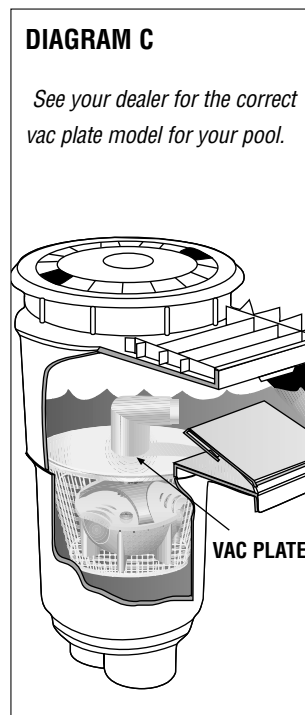
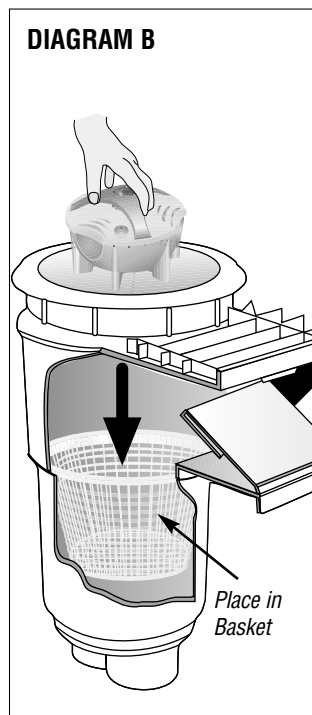
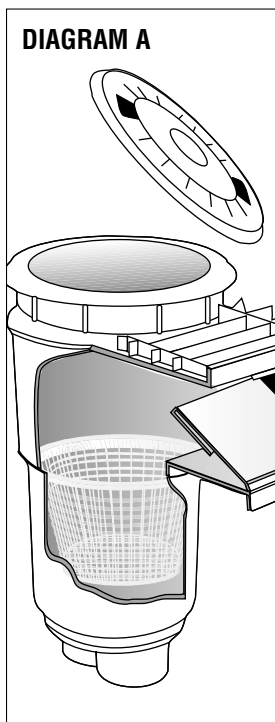
WATER BALANCE GUIDELINES	
pH:	7.2 – 7.8
Total Alkalinity:	60 - 120
Calcium Hardness:	150-300
Total Dissolved Solids:	<2000
Free Chlorine:	.5 - 1ppm
Free Bromine:	1 - 2ppm

2. Shock pool to remove all contaminants. (Follow manufacturer's directions.)

Thank you for purchasing INSTANT FROG™. With mineral purification, your pool will feel softer, shine brighter while reducing chemicals and overall pool maintenance.

### Installing INSTANT FROG

1. Set reminder dial on INSTANT FROG™ to 6 months from date of installation. Turn dial by hand or with a coin if needed.
2. Remove skimmer cover. **DIAGRAM A**
3. Remove skimmer basket handle if necessary. Insert INSTANT FROG™ into skimmer basket. **DIAGRAM B**
4. If using INSTANT FROG™ with a suction side automatic cleaner installed through the skimmer, it will be necessary to use a vac plate that may come with the skimmer or automatic cleaner. **DIAGRAM C**



### Regular Pool Care



1. Run pump and filter at least 8 hours per day.



2. Regularly test water for pH, total alkalinity and chlorine levels.



3. Maintain a 0.5 ppm to 1 ppm chlorine level at all times.

A chlorinator or floater is recommended. If using chlorine pucks in the skimmer basket, place them under INSTANT FROG.



4. Shock pool per the manufacturer's instructions with a chlorine or non-chlorine shock once a week, or if water looks hazy.



5. Check filter gauge regularly and clean or backwash when needed per the manufacturers directions.

6. Periodically clean skimmer basket of excess debris as normal.

7. REMEMBER TO REPLACE INSTANT FROG EVERY 6 MONTHS.

Patents Pending • EPA Est. No. 071209-AZ-001  
553120043 • 20-48-0142

### KING TECHNOLOGY, INC.

530 11th Avenue South • Hopkins, MN 55343  
952-933-6118 • FAX 952-933-2206 • www.kingtechnology.com