

ODYSSEY STRAP KIT ASSEMBLY INSTRUCTION

ATTACHING THE COVER FOR IN-GROUND POOLS

- 1). The reel system should be positioned at the end of the pool, perpendicular to the center line of the pool ((FIG. 9). The cover should be on the pool and properly trimmed.
NOTE: IF THE COVER HAS NOT YET BEEN TRIMMED, ADD 2" TO THE TRIMMED LENGTH OF THE COVER TO COMPENSATE FOR THE ATTACHMENT SYSTEM REQUIREMENTS.
- 2). Starting at a point approximately 3" from one edge of the end of the cover to which the reel will be connected, attach a plastic cover clip (FIG. 9) to the cover. The sharp pointed post on the clip will pierce the cover (or use a knife or other sharp tool for ease of installation). Continue across the edge of the cover attaching the remaining seven clips, evenly spaced. The last clip should be positioned approximately 3" from the opposite edge of the blanket. (FIG. 10)
- 3). Assembly of strap and buckle: With the ridged crossbar of the buckle facing up, slide the buckle onto the strap from the end opposite the Velcro end. Move the buckle at least 24" up from the end of the strap. (FIG. 5) Feed the end of the strap through the slot on the plastic clip then thread the strap end back through the buckle as indicated by the dotted lines in the diagram. Repeat the process at each clip position. (FIG. 6)
- 4). Position the Velcro end of the strap as straight as possible over the tube of the reel system. Place a Velcro tab on the tube at the Velcro strap end by removing the protective backing. The tube must be dry and clean where the Velcro tab is being placed. (FIG. 7) Attach the Velcro end of the strap to the Velcro tab. Repeat this process in a straight line along the tube for each of the seven remaining straps.
- 5). Using the buckles, adjust each strap so that each has equal tension on the cover. This is necessary for proper roll-up alignment.
- 6). For ease of re-covering your pool after use, install the return cord provided at the opposite end of the pool cover using the white cord and two sets of male/female cord plates. Locate the plates about 3" apart and at least 6" from the edge of the cover (FIG. 12) . To install plates, use the plate with three holes as a guide to punch three holes through the cover. Snap the posts on the male plate through the two holes on the female plate with the cover sandwiched between the two plates. (FIG. 11) Thread the return cord through the top of plate #1 and up through the bottom of plate #2 as shown in the diagram. Tie two knots in the end of the cord at plate #1. (FIG. 12)

FIG. 8

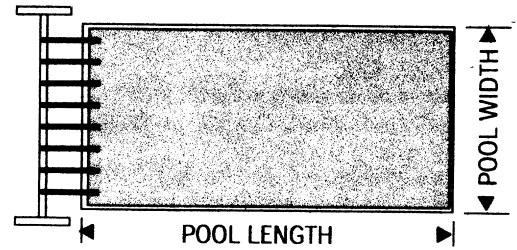


FIG. 9

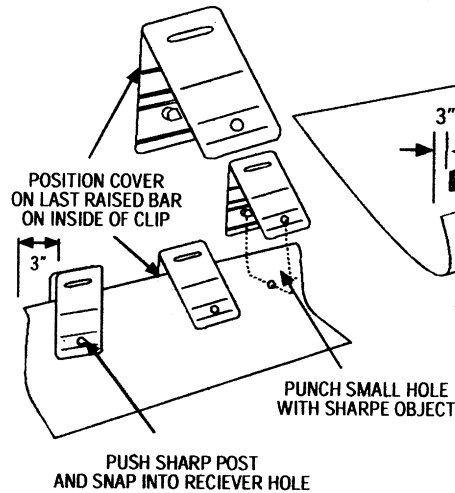


FIG. 10

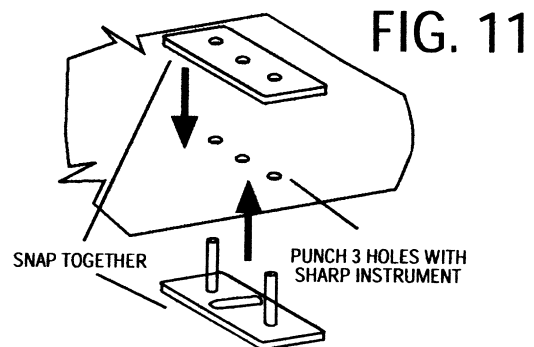


FIG. 11

FIG. 12

