

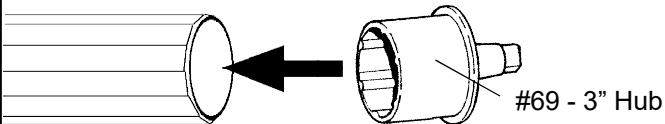
1 Assembling the tubes

Please see instruction supplied in the Tube box before going any further.

Very important:

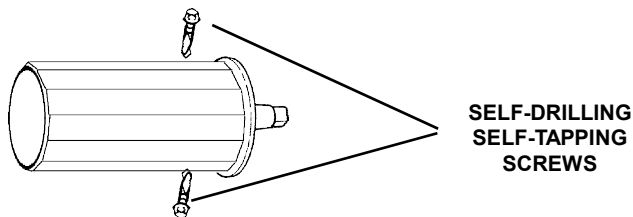
You must use the bolts supplied or the tube may sag.

When you have assembled the tube according to the instructions put the 3" hubs in each end of the tube.



Using the Self-Drilling Self-Tapping screws attach the 3" Hubs to the tubes.

NOTE: No pre drilling required



2 Assemble the system

Put the Black Bushing #105 onto the end of the hub remembering to put some Vasaline or waterproof grease inside the Bushing. Grease once a year after that.

Push the tube into the Black Bushing then into the #4A Frame Part #57.

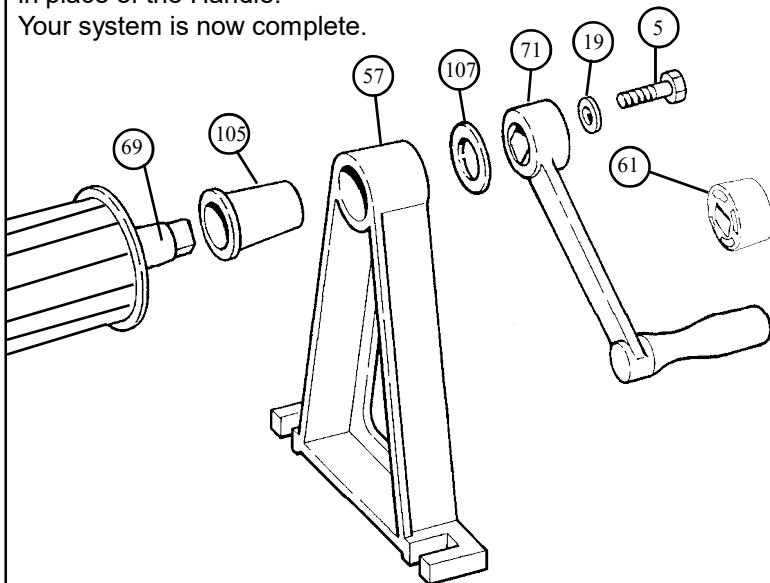
Put the Black washer #107 over the end of the protruding end of the Hub and slide the Handle #71 onto the end of the Hub.

Put the washer #19 on the Bolt #5 and secure the Handle.

VERY IMPORTANT: Do not overtighten this bolt as it will make it hard to rotate the handle.

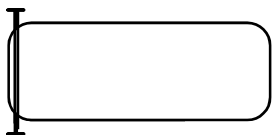
Repeat this on the other end of the unit and use the White Knob #61 in place of the Handle.

Your system is now complete.

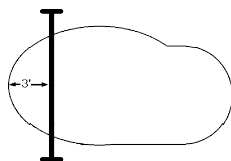


3 Positioning your Reel System

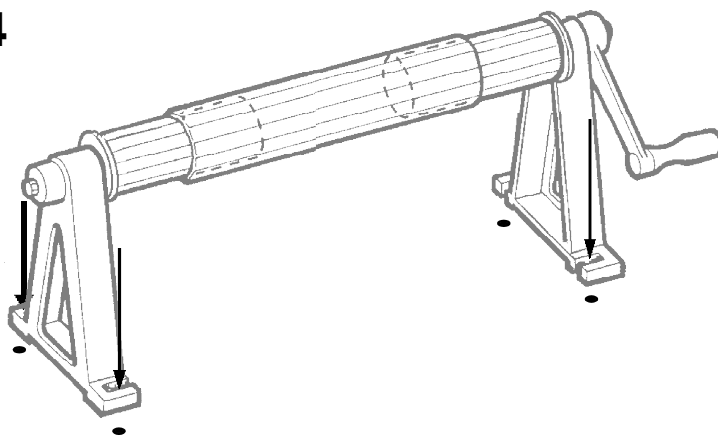
For **regular** shaped pools, align the outside edge of the tube parallel with the end of the pool.



For **irregular** shaped pools, the outside edge of the tube should be a **minimum** of 3' inside from the end of the pool. Place the reel at the widest point if that is possible for a better result



4



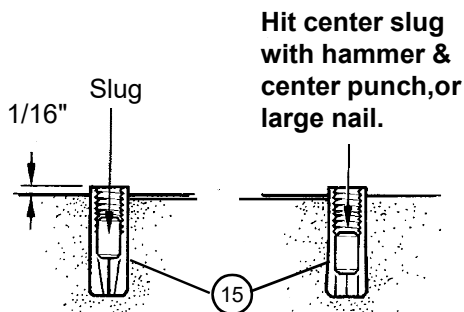
Using the two holes of the #4 A-frame (item #57) as guides, make two marks on deck for each #4 A-frame. With a 1/2" concrete drill bit, drill a 1 1/2" deep verticle hole at each mark.

6

Drive the concrete anchor #15 into the hole with a hammer. Leave the anchor raised 1/16" above deck.

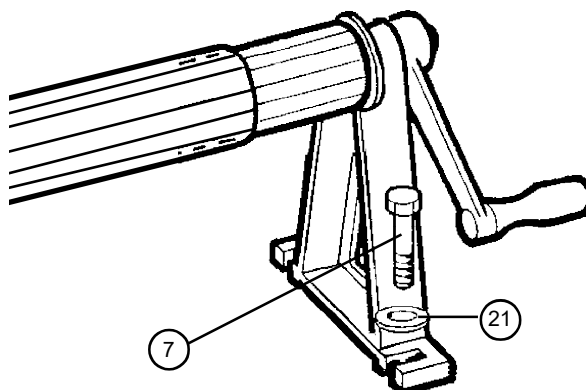
To set the concrete anchor:

Hit the slug in the center of the anchor (usually Red) with a hammer and center punch, or heavy nail, driving the slug down into the anchor forcing the legs out into concrete. This will stop the anchor from rotating.

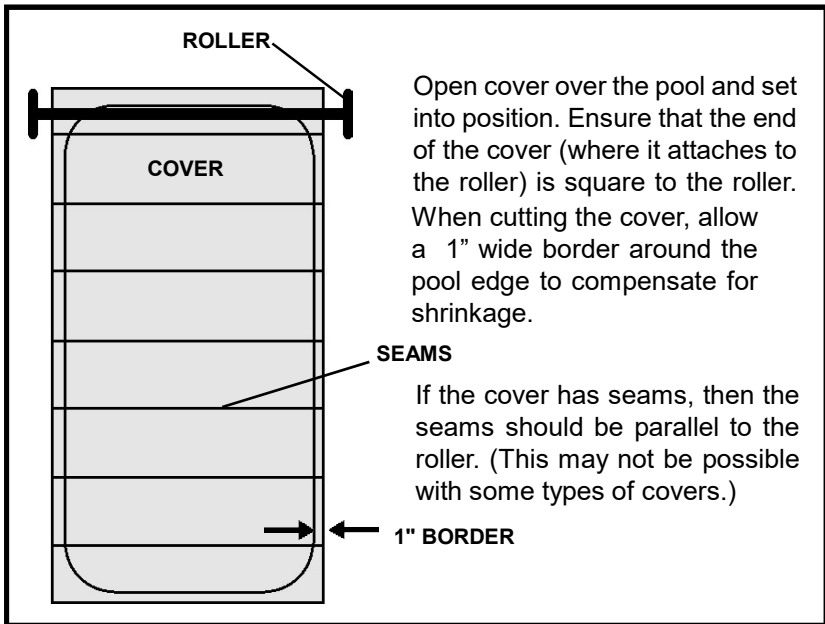


7

Insert the 3/8" bolts (item #7) through the 3/8" washers (item #21), through the #4 A-frames (item #57) and into the concrete anchors (item #15). Tighten the 3/8" bolts.

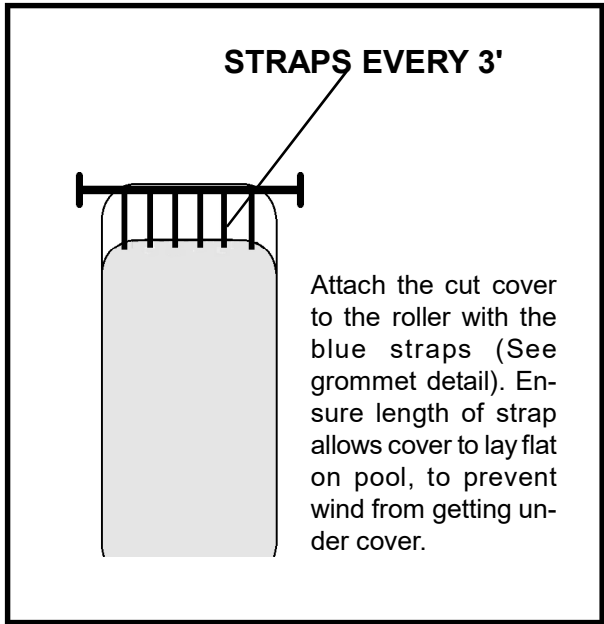


FOR REGULAR SHAPED INGROUND POOLS



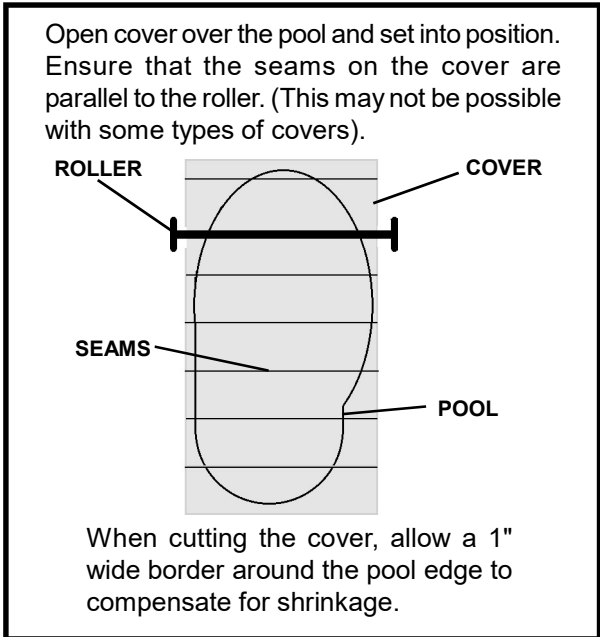
Open cover over the pool and set into position. Ensure that the end of the cover (where it attaches to the roller) is square to the roller. When cutting the cover, allow a 1" wide border around the pool edge to compensate for shrinkage.

If the cover has seams, then the seams should be parallel to the roller. (This may not be possible with some types of covers.)



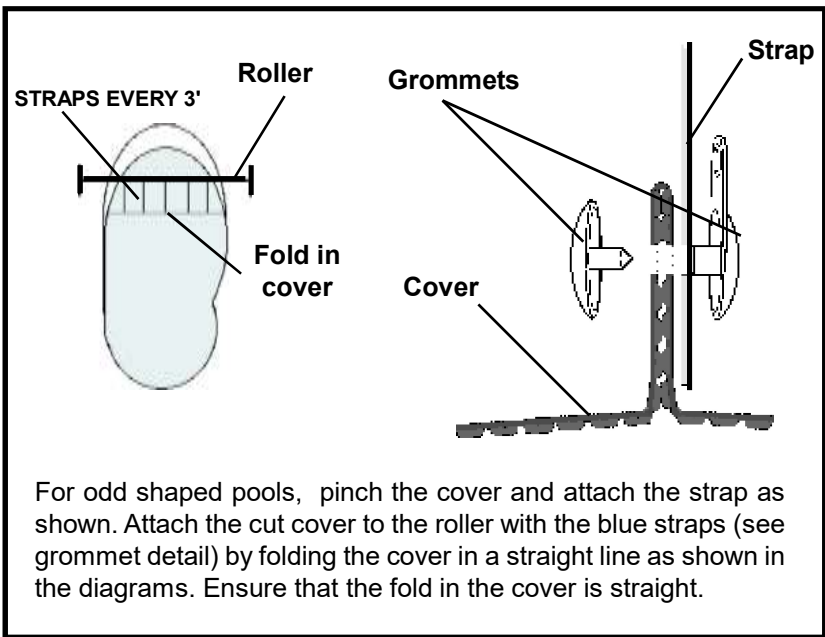
Attach the cut cover to the roller with the blue straps (See grommet detail). Ensure length of strap allows cover to lay flat on pool, to prevent wind from getting under cover.

FOR IRREGULAR, KIDNEY, OR ROUND SHAPED INGROUND POOLS

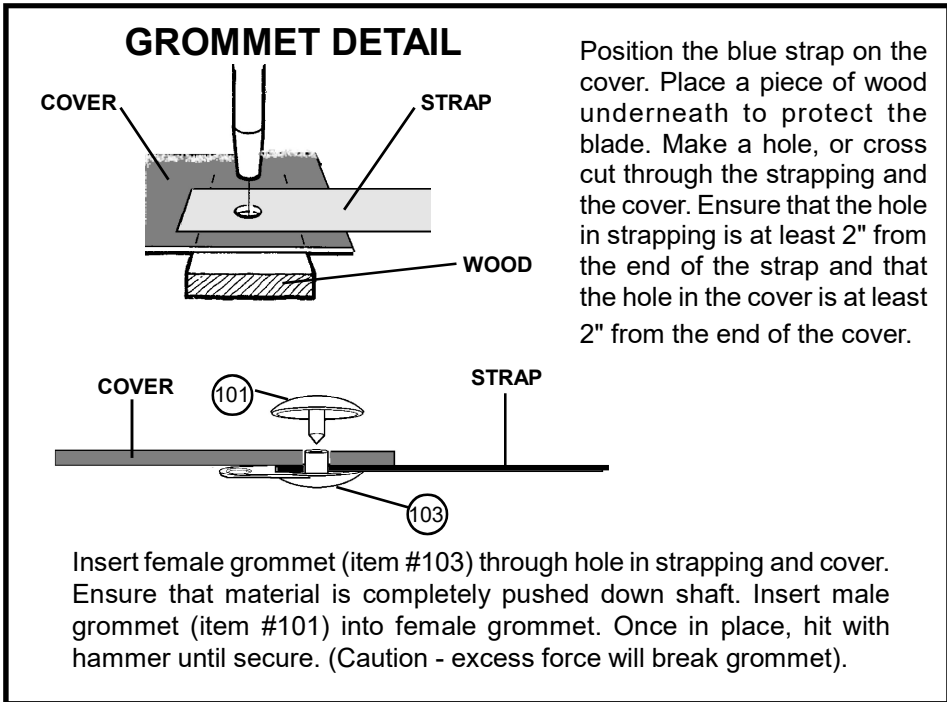


Open cover over the pool and set into position. Ensure that the seams on the cover are parallel to the roller. (This may not be possible with some types of covers).

When cutting the cover, allow a 1" wide border around the pool edge to compensate for shrinkage.



For odd shaped pools, pinch the cover and attach the strap as shown. Attach the cut cover to the roller with the blue straps (see grommet detail) by folding the cover in a straight line as shown in the diagrams. Ensure that the fold in the cover is straight.



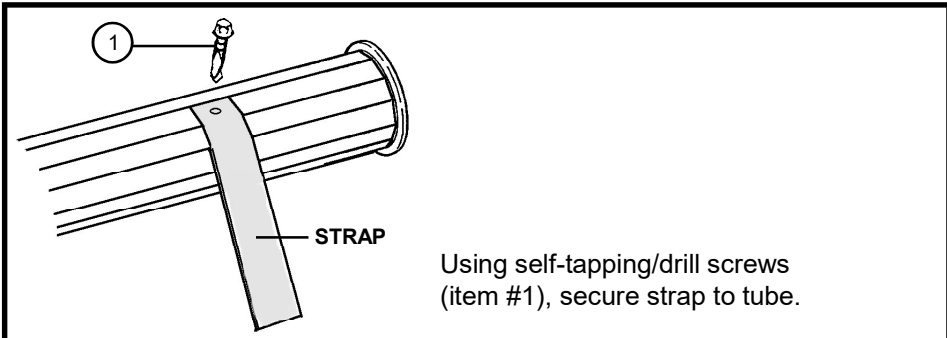
Position the blue strap on the cover. Place a piece of wood underneath to protect the blade. Make a hole, or cross cut through the strapping and the cover. Ensure that the hole in strapping is at least 2" from the end of the strap and that the hole in the cover is at least 2" from the end of the cover.

Insert female grommet (item #103) through hole in strapping and cover. Ensure that material is completely pushed down shaft. Insert male grommet (item #101) into female grommet. Once in place, hit with hammer until secure. (Caution - excess force will break grommet).

ITEM #	QTY.	DESCRIPTION	RE-ORDER #
1	12	Self-tapping Screw	501
5	2	5/16"x1" Bolt	505
7	4	3/8"x1" Bolt	507
15	4	Concrete Anchor	515
19	2	5/16" Washer	505
21	4	3/8" Washer	21
57	2	#4 A-Frame	531
61	1	White Knob	533
69	2	3" Regular Hub	543
71	1	Small Handle	545
101	10	Male Grommet	549
103	10	Female Grommet	549
105	2	Plastic Bushing	555
107	2	Plastic Washer	555
201	1	22' Strapping	587

Tools Required

Reversible Electric Drill
1/2" Concrete (masonry) Drill Bit
Hammer & Center Punch or Nail
5/16" Hex Head Socket Bit
1/2" Wrench
5/8" Wrench



Using self-tapping/drill screws (item #1), secure strap to tube.

Rocky's Reel Systems Inc.

Tel: 1-800-663-8705

E-Mail: info@rockys.ca