

## POOL BOY® Powered Solar Blanket Reel

### Installation/Operation Guide



## INTRODUCTION

Please read, follow, and save this instruction manual.

POOL BOY® is a powered swimming pool solar blanket reel system. It features adjustable height and remote control.

POOL BOY® is recommended for use on rectangular shaped pools with or without diving boards.

The POOL BOY® system should only be used for the intended application.

# IMPORTANT SAFETY PRECAUTIONS



**READ AND FOLLOW ENTIRE INSTRUCTION MANUAL AND ALL PRECAUTIONS. SAVE THIS INSTRUCTION MANUAL FOR YOUR RECORDS. PRIOR TO INSTALLING, USING, OR TROUBLESHOOTING THIS EQUIPMENT**

## CAUTIONS

- Read, follow, and save the entire instruction manual.
- Use the system only in the intended manner.
- Remember, solar blankets are not safety covers
- Remove the solar blanket completely from the pool before using the pool.
- The POOL BOY® system is intended to be stationary. It is not designed to be mounted on a caster-equipped stand.
- Visually inspect the pool prior to retracting or extending the solar blanket. Ensure that the pool is clear of occupants and that no items will conflict with the solar blanket.
- Store the remote control and system key in a secure location in order to prevent unauthorized operation.
- Unit is for outdoor use only.
- Do not attempt any technical repairs without proper training or first calling Pool Boy Technical Support at (866) 778-POOL. Failure to do so may result in denial of warranty claims.

## WARNING- RISK OF ELECTRICAL SHOCK

To reduce the risk of electric shock, observe the following precautions:

- Mount the power supply in an upright manner
- Connect the power supply only to a grounding type receptacle protected by a class A Ground Fault Circuit Interrupter (GFI)
- Install power supply at least 10 feet (3.1 M) from the inside walls of the pool and at least 1 foot (30cm) above the ground/deck level.
- Do not use with an extension cord.
- Replace damaged cords immediately.
- Disconnect electric power before servicing.

# GETTING STARTED

## Required Tools

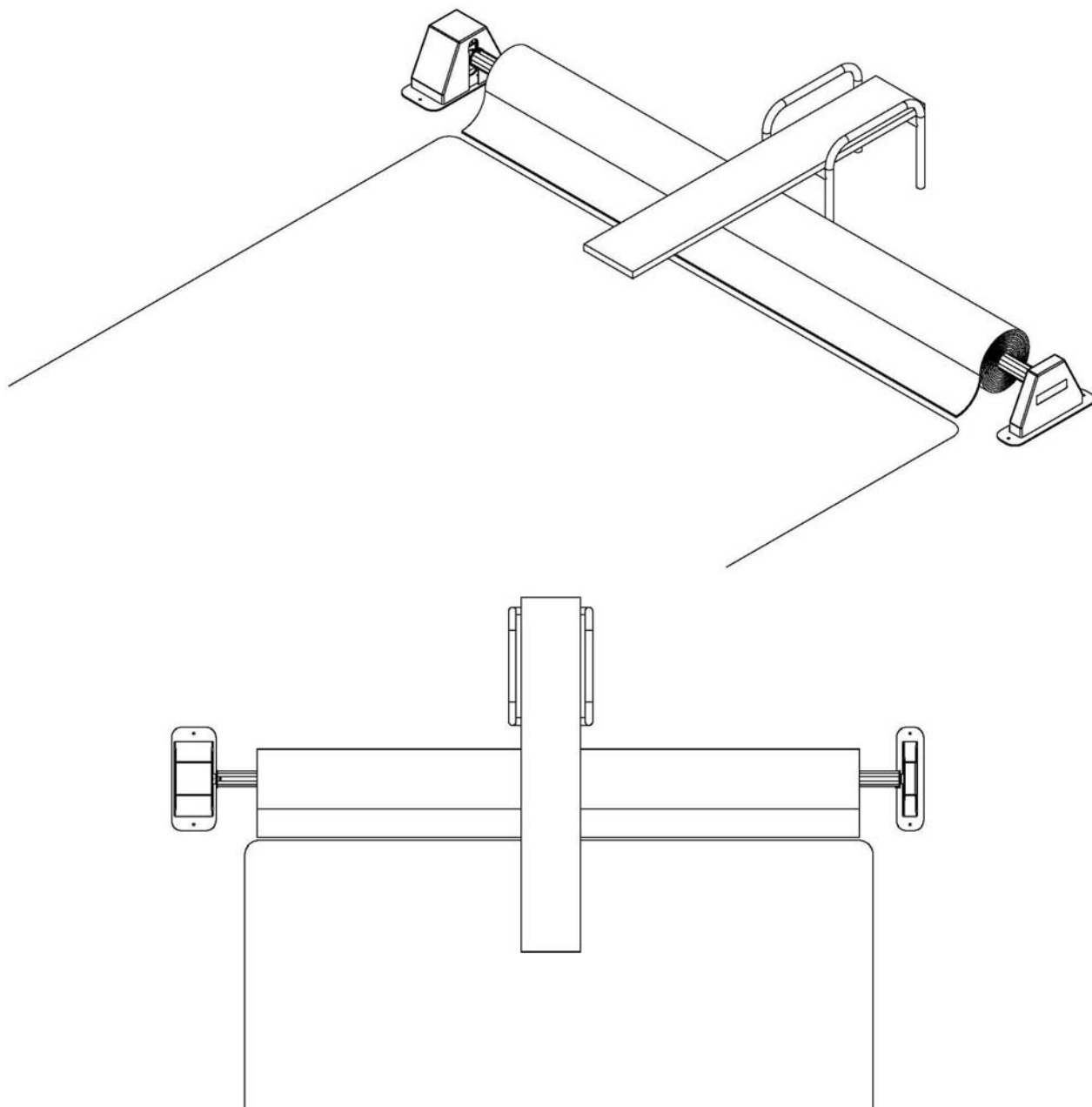
- 5/16 & 7/16 wrenches or sockets
- #2 Phillips screwdriver
- Drill
- 1/4" and 5/32" drill bits.

## Select the location

Select a location at one of the narrow ends of the pool. The location must:

- Be away from the ladder
- Have access to a GFI protected 120V AC receptacle.
- Provide a mounting location for the power supply

## Typical Layout



# Installation

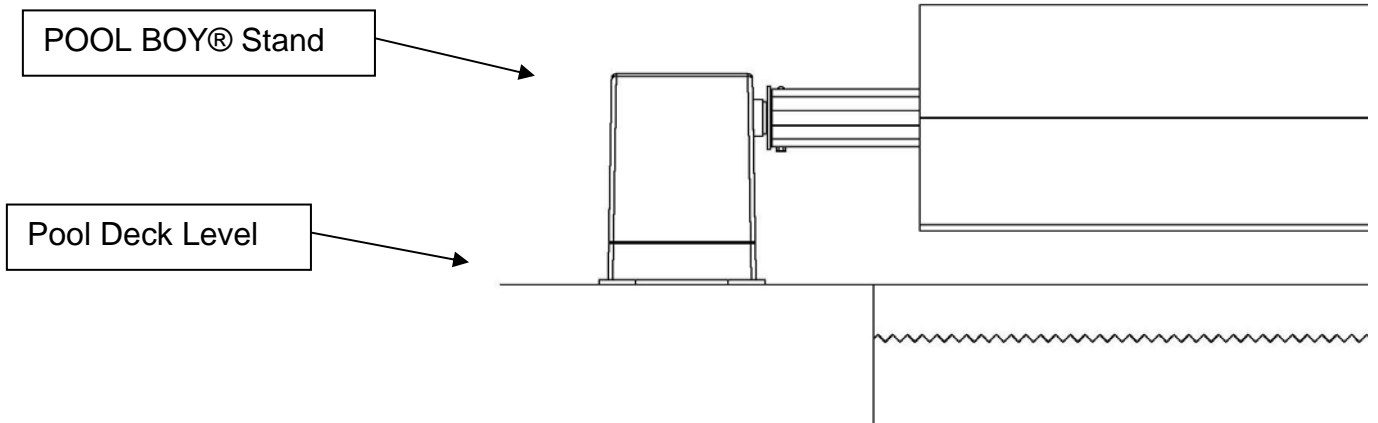
## 1) Position the Stands

Position the stands in the selected location at one of the narrow ends of the pool. The stands come fully assembled in the middle of the height adjustment range.

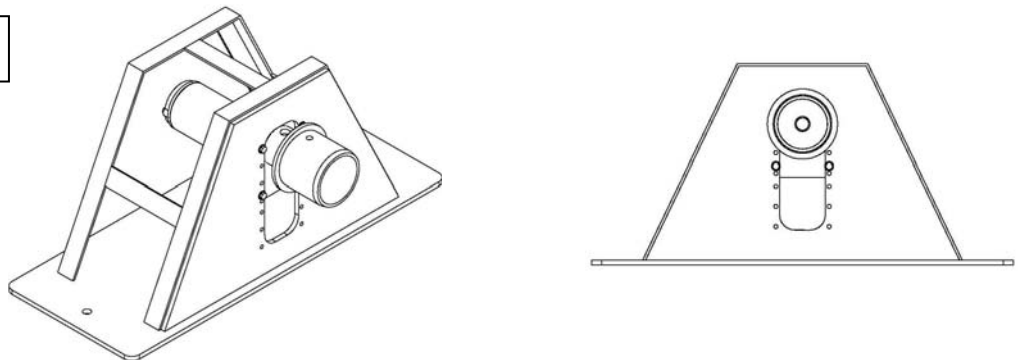
If height adjustment will be required, remove both stand covers.

### Height adjustment

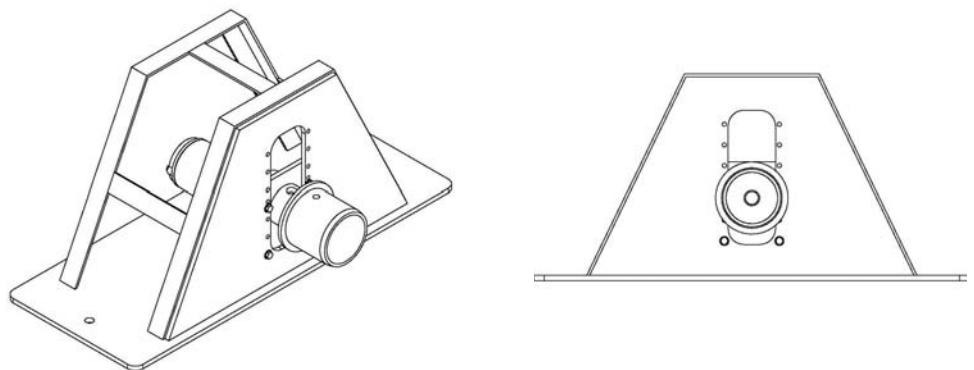
The height of the POOL BOY® reel system is adjustable through a wide range. The height of the cross tube can be changed by moving the hub assemblies to different height settings.



Example- Highest Setting



Example- Lowest Setting



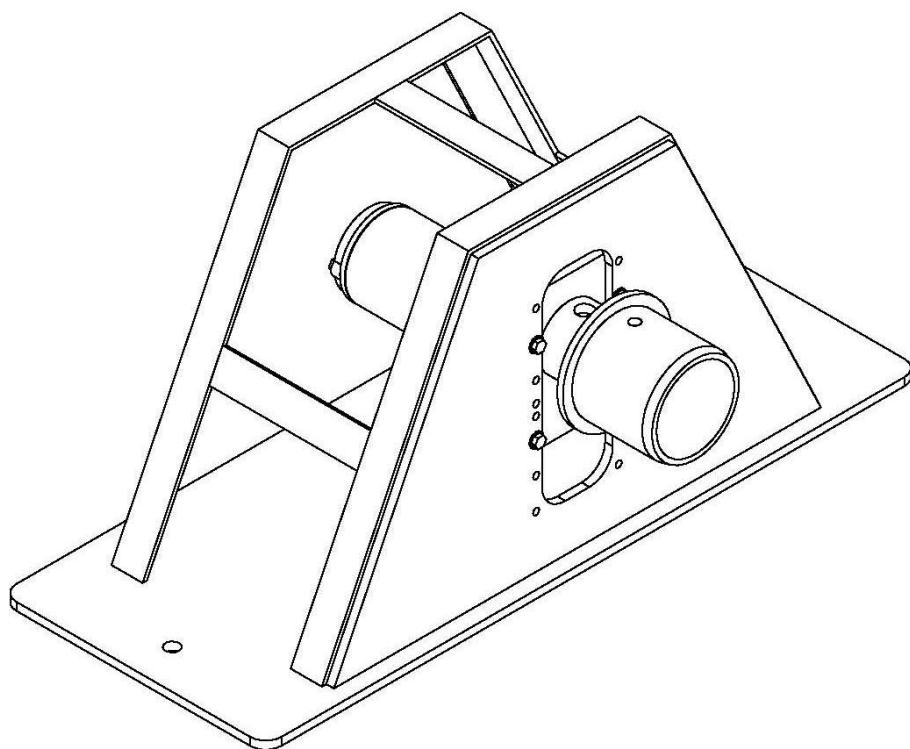
## To adjust stand heights:

Remove the motor and idler stand covers. The covers are held in place by one screw on each side.

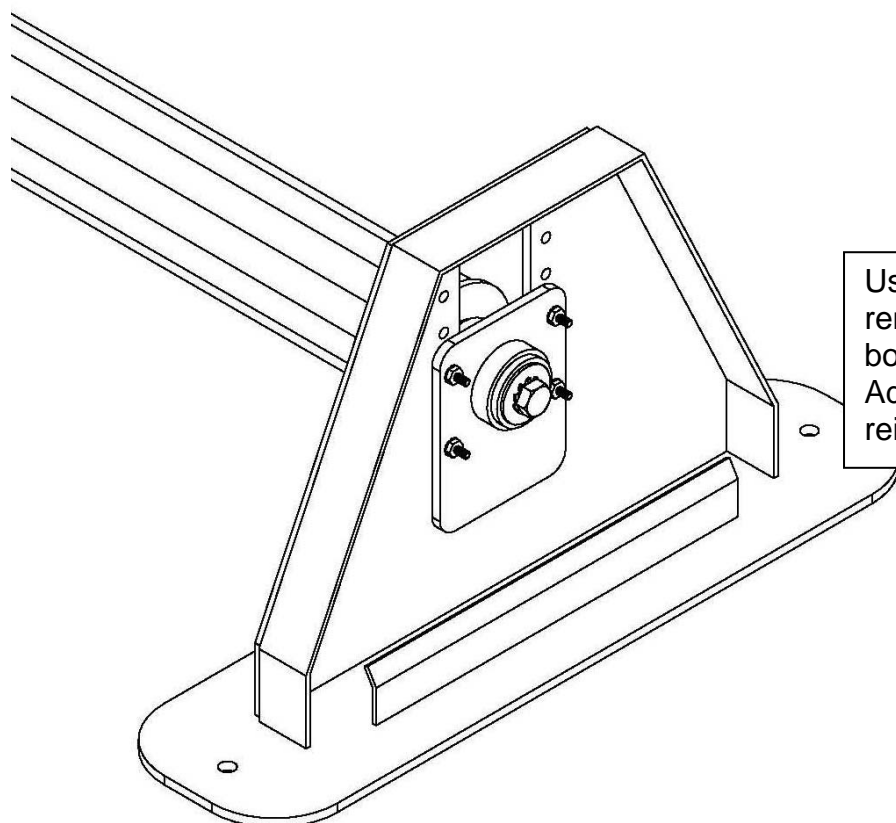
Remove bolts that attach motor case to stand. Position motor/gearbox assembly at the desired height. Insert and tighten bolts. Care must be taken not to over tighten the motor mount bolts.

Position hub on the idler stand to the same height. Using a 7/16 wrench, remove bolts that attach the idler hub and position hub to match the motor stand hub location. Reinstall bolts and tighten.

Leave off the motor stand cover. Install the idler stand cover, if desired.



Using a 5/16 wrench,  
remove (4) mounting  
bolts.  
Adjust stand height and  
reinstall bolts.



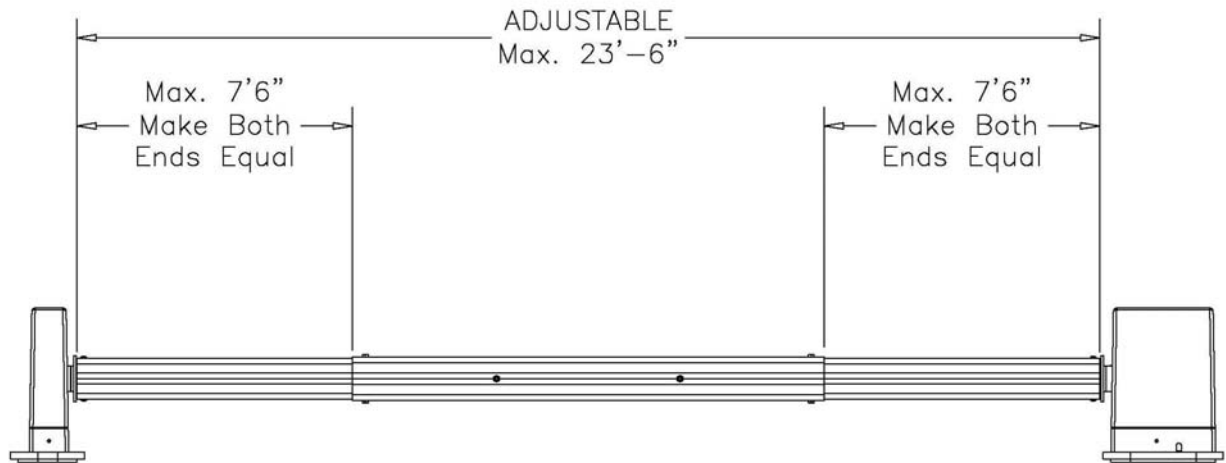
Using a 7/16 wrench,  
remove (4) mounting  
bolts.  
Adjust stand height and  
reinstall bolts.

## 2) Installing Cross Tubes

The cross tube assembly is adjustable to accommodate required widths from 17 to 23.5 feet. The cross tube assembly has three tube sections. Two smaller tubes telescope from each end of the larger diameter tube.

1. Slide a smaller diameter tube section into each end of the large tube.
2. Insert the drive and idler hubs into the ends of the cross tube assembly.
3. Center the middle tube section between the stands.

Note: The cross tube is adjustable from 17ft to 23.5 ft.



### Install the cross bolts:

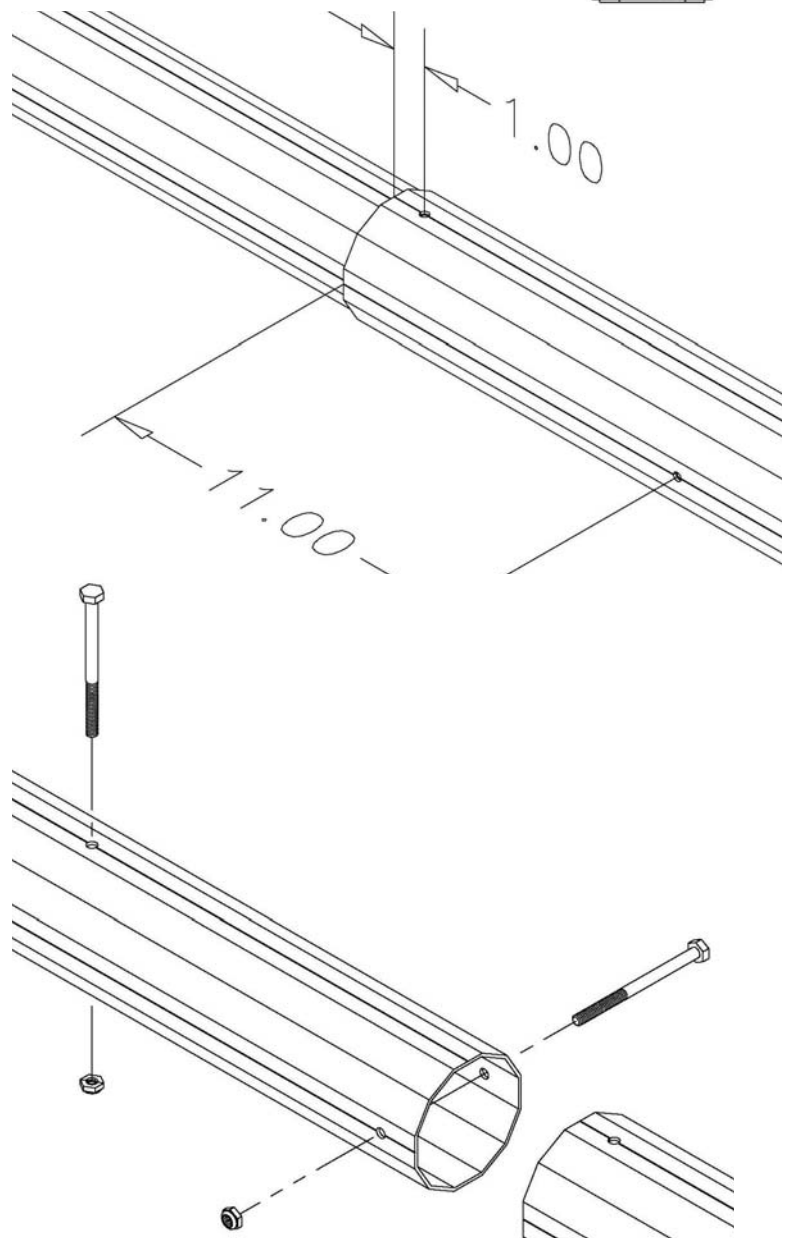
This will fasten the three sections of the cross tube assembly together.

Note: the cross tube sections have grooves. These grooves are used to help guide the drill bit during the drilling process.

On one end of the large diameter tube: Measure one (1) inch in from the end of the large tube section and using the groove as a guide, drill a 1/4" hole. Insert a 1/4" bolt into the hole to keep the tubes from moving. Then drill another 1/4" hole one inch from the end of the large tube in the guide groove on the opposite side (180 degrees) from the first hole. Insert a bolt through both holes, install a nut, and tighten.

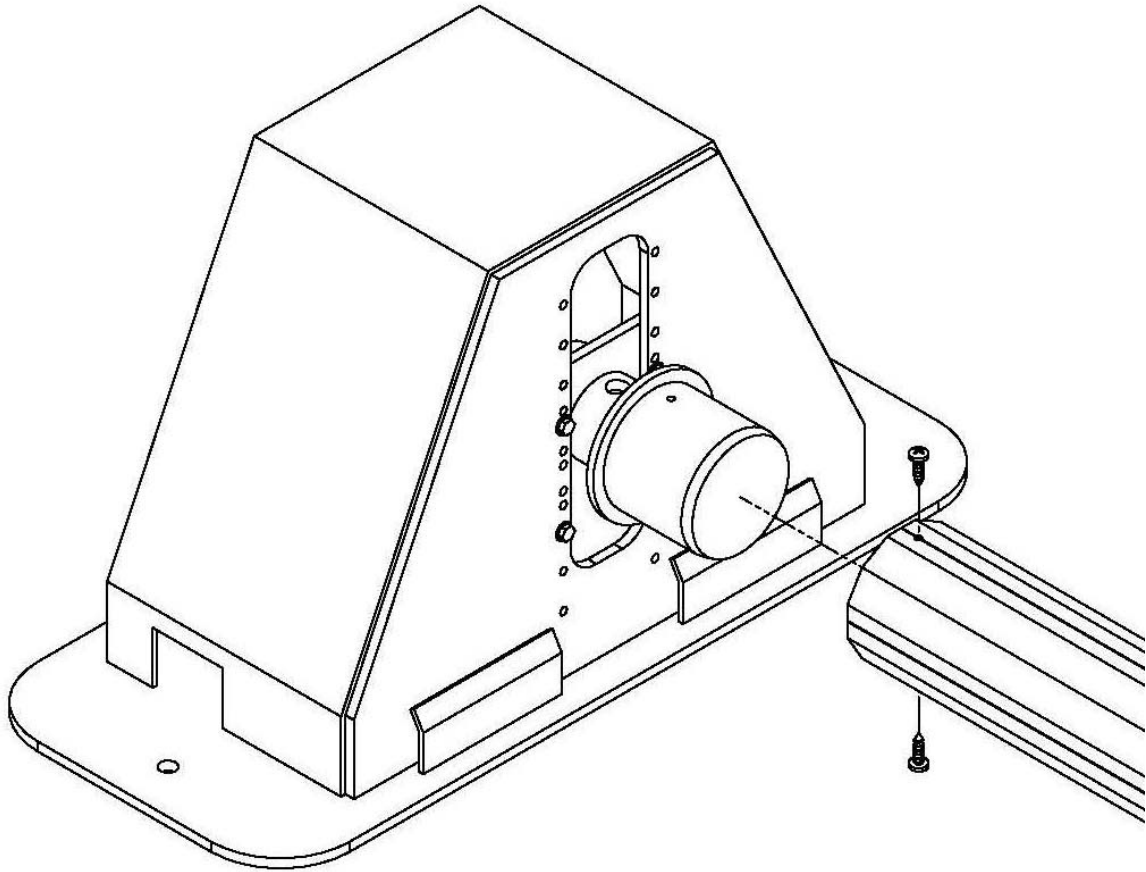
Repeat this process by drilling two more holes at eleven (11) inches from the end of the large tube and at 90 degrees rotation from the first pair of holes.

**Perform this process on the other end of the large tube for a total of four (4) bolts.**



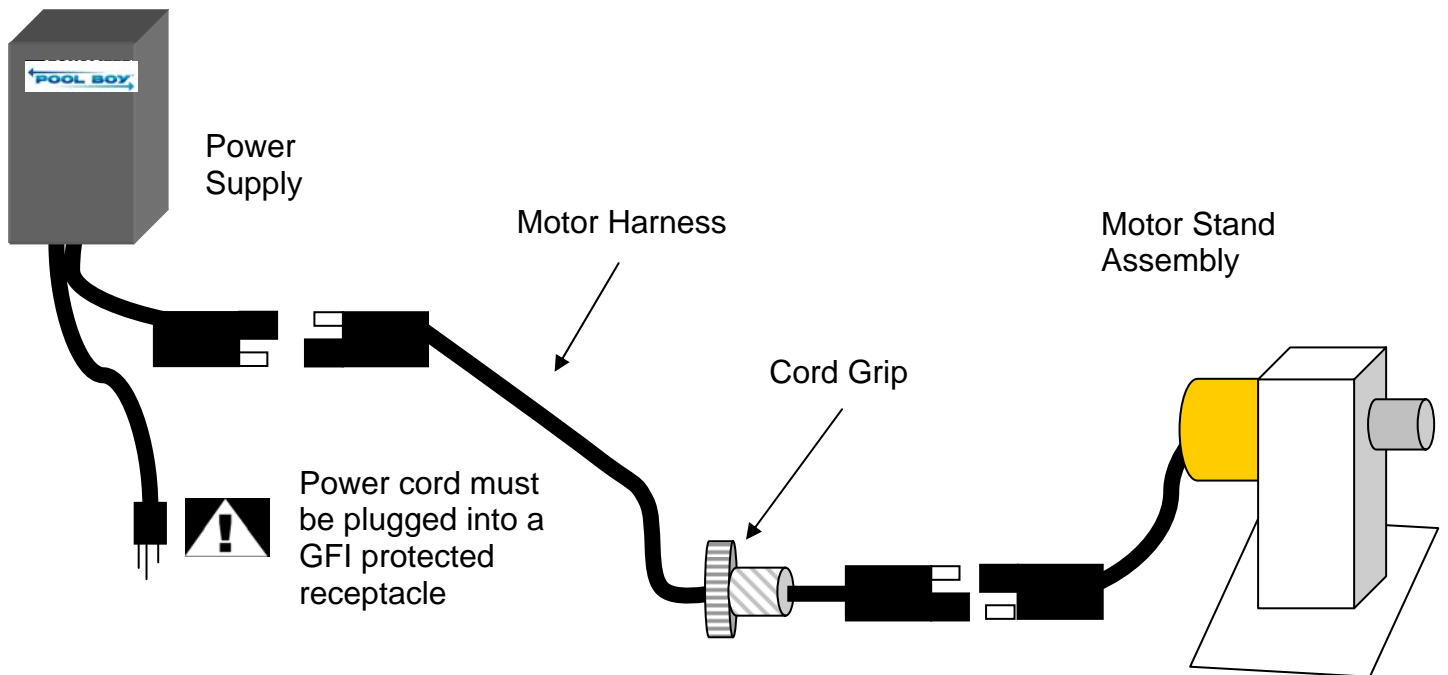
**Attach the cross tube assembly to the POOL BOY® hub assemblies.**

1. Insert the drive and idler hubs into the cross tube
2. Mark hole location
3. Drill a 5/32 pilot hole through the tube and into the hub approx 3/4"
4. Insert the screw and tighten

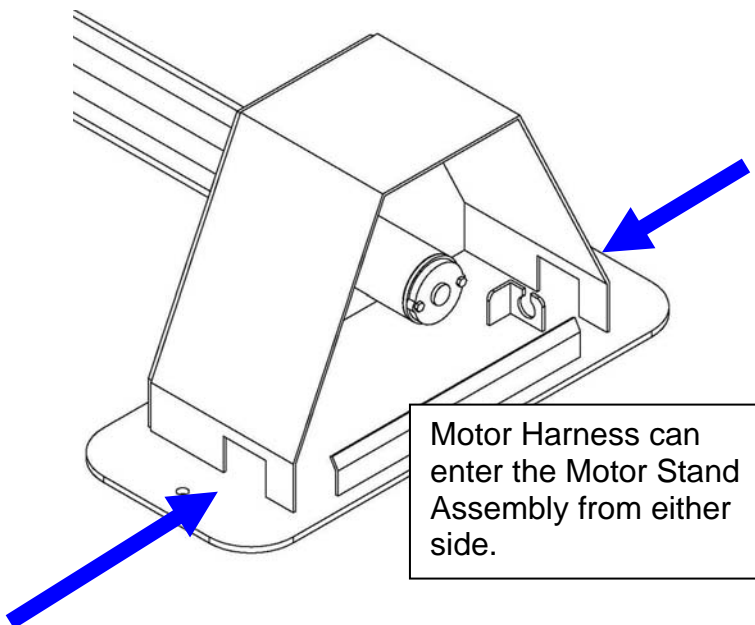


### 3) Electrical Connections

- 1) Mount the Power Supply box: Securely mount/Hang the Power Supply in an upright manner to a vertical surface a minimum of one (1) foot above the ground/deck level and 10 feet from the pool. The power supply must be connected to a GFI protected receptacle. **Do not plug the power supply into the receptacle at this time.**
- 2) Plug the motor harness into the connector at the bottom of the power supply.
- 3) Route the motor harness to the POOL BOY® drive stand.
- 4) Feed the motor harness into the drive stand on the cutout on the desired side.

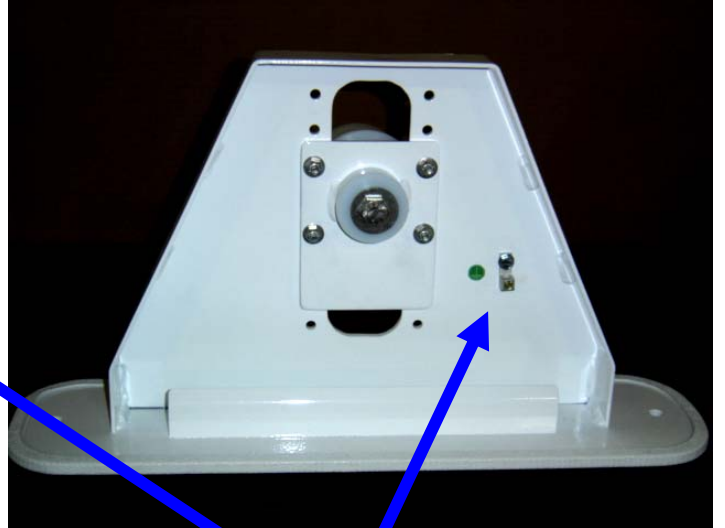
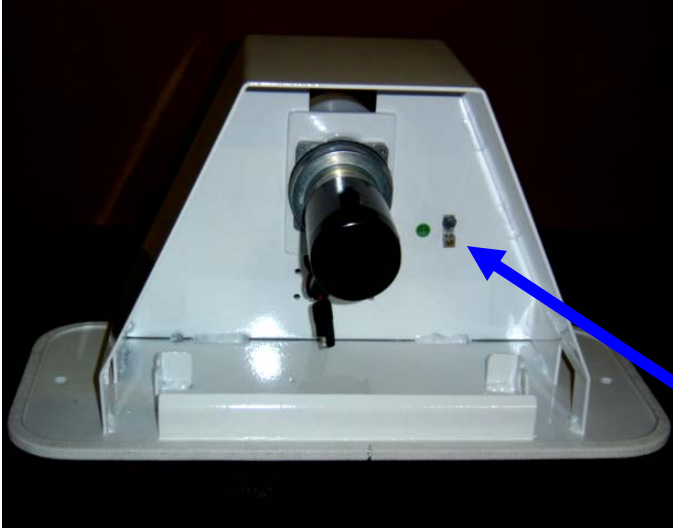


- 5) Install strain relief/ cord grip on bracket in the base of the motor stand. Thread the motor harness through the bracket. Install the jamb nut and tighten.

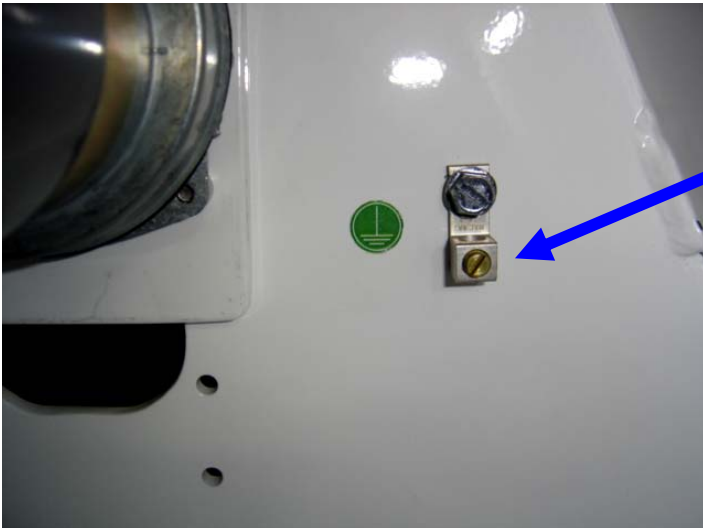


- 6) Plug motor harness into the connector plug at the motor assembly.

7) Ground motor and idler stands according to local electrical codes. A grounding terminal is provided on each end stand.



**Grounding Terminal**

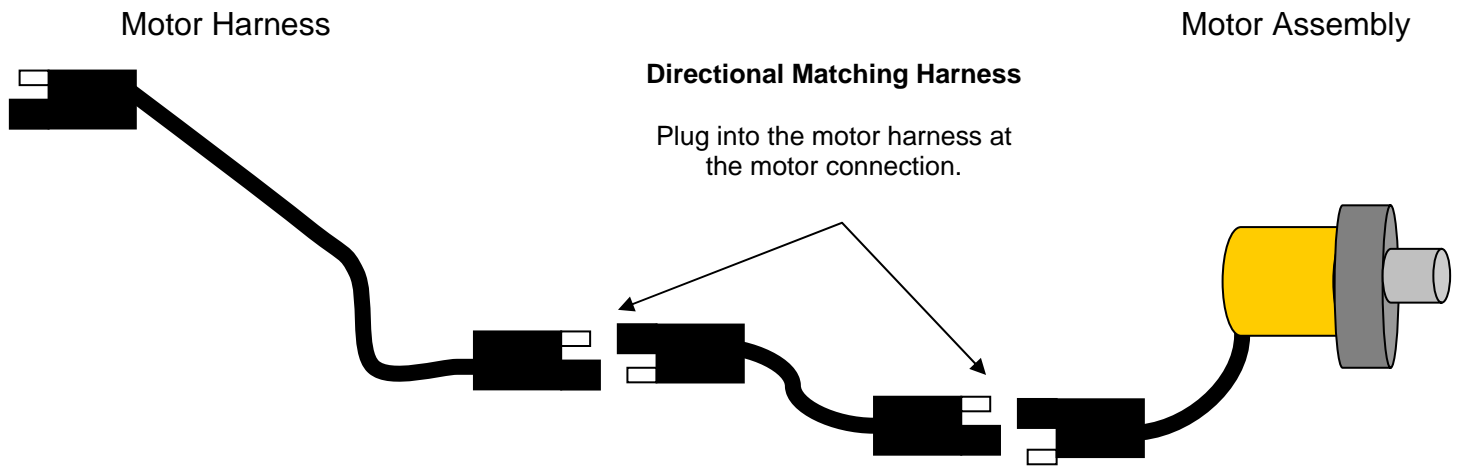


## 4) Test Run

Plug the power supply into a GFI equipped receptacle. With the cross tube attached, test run, the system. (See the OPERATION Section for instructions.) Ensure the cross tube is securely attached to the POOL BOY® hubs and that it runs smoothly without wobble.

In preparation for installing the solar blanket, observe the direction of rotation of the cross tube. Compare this direction of rotation to the EXTEND and RETRACT buttons on the remote control as well as to the direction you plan to wrap the solar blanket around the cross tube.

Depending on the desired installation configuration, the operating direction of the reel may be opposite of the buttons on the remote. To correct, install the supplied directional matching harness at the motor connection. This will match motor direction to the remote control to the desired wrap direction of the pool cover. **Unplug the power supply from the GFI receptacle before continuing.**



**Unplug the power supply before continuing.**

## 5) Install the covers for the drive and idler stands

Install the drive stand cover. Make sure the motor harness is routed through the slot in the side of the cover. If the idler stand cover was removed, reinstall it at this time.

## 6) Attach the solar blanket

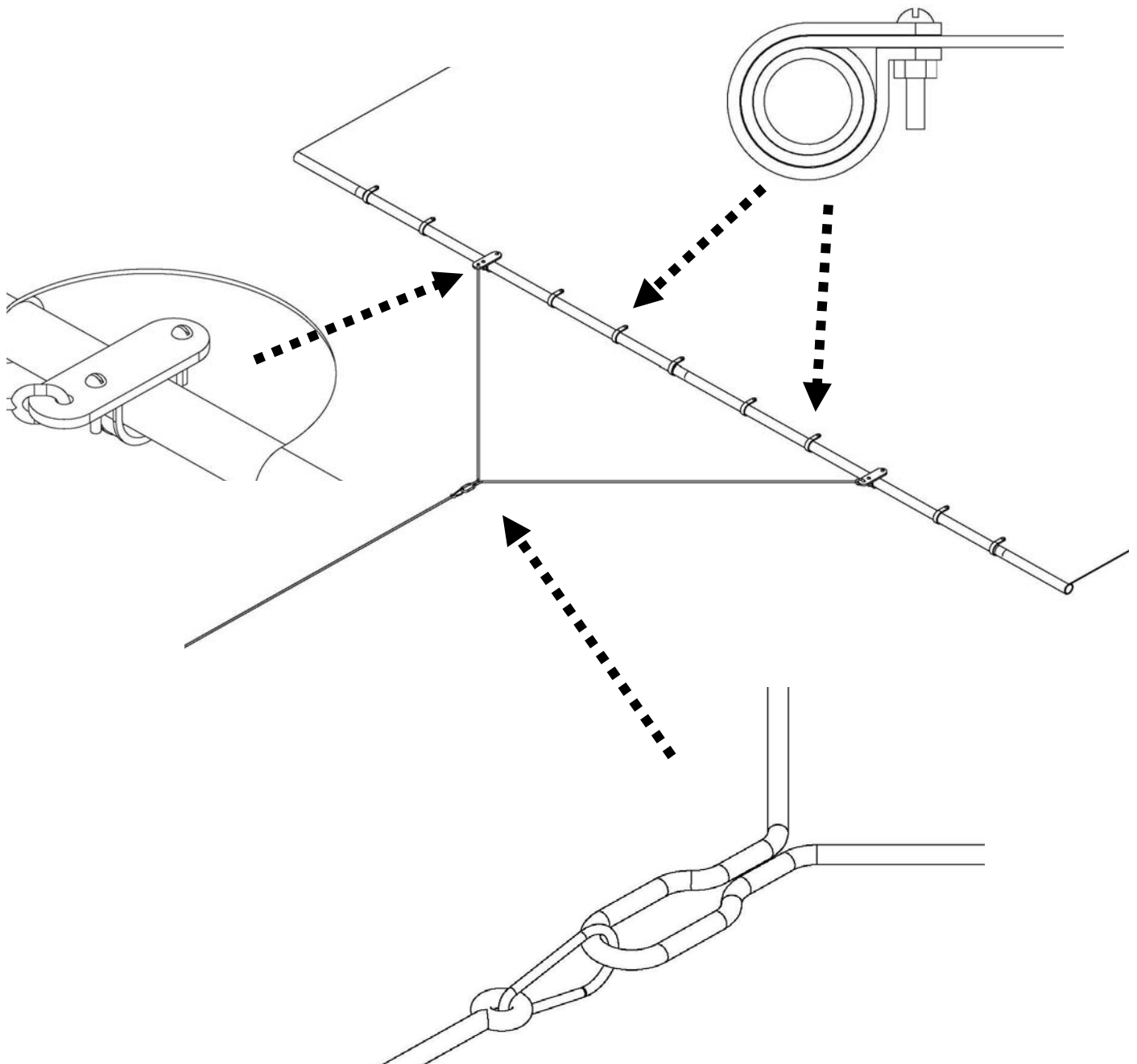
Attach solar blanket onto the cross tube in the manner prescribed by the blanket/ blanket strap manufacturer. Consult your solar blanket retailer for details.

The blanket can wind onto the cross tube either direction.

## 7) Install Tether Kit

The tether kit attaches to the leading edge of the solar cover, opposite the end that wraps onto the cross tube. The tether is used to guide the cover during extension and retraction.

- 1) Carefully wrap the edge of the cover around the rod. Ensure the wrap is even and square to the edge of the cover.
- 2) Install the supplied clips as shown in the following diagram. Bolt through the cover material. A pilot hole will need to be made. Install clamps evenly, approximately every one to two feet.
- 3) Snap the guide rope harness to the clamps as shown.



# OPERATION



## Warning

**Visually inspect the pool prior to retracting or extending the solar blanket. Ensure that the pool is clear of occupants and that no items will conflict with the solar blanket.**

**When not in use, store the remote control and system key in a secure location in order to prevent unauthorized operation.**

### Safety Features

The POOL BOY® Powered Solar Blanket Reel has operational safety features integrated into a keyed power switch and a locking remote control that are designed to prevent unauthorized operation.

**Key Switch:** The unit can only be unlocked for operation by turning the key switch on the power supply box. Once the key is rotated clockwise to the ON position and released, the system is unlocked for a period of 5 minutes. If this period of 5 minutes elapses, without remote control activation, the system will lock. To continue operation, the key switch will need to be turned again to the ON position. Rotating the key switch counter clockwise to the OFF position disconnects power and prevents operation.

**Remote Control:** The key fob style remote control is used to extend and retract the solar blanket. This remote control is activated for use only after both buttons (EXT / RET) are depressed simultaneously and held for 2 seconds. Once activated, the remote control has a built in 5 minute timer during which time, operation is possible. After five minutes elapses, the remote will deactivate and operation will cease. To continue operation, the remote must be activated again.

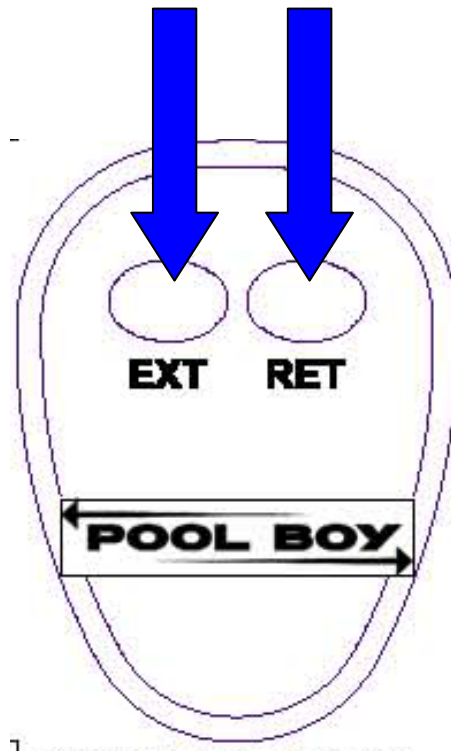
Please note: The remote control and the key switch are controlled by separate timers. Both need to be active to allow system operation.

## Operation

- 1) Ensure the pool is unoccupied and that it is safe to operate the solar blanket reel.
- 2) Unlock the system by inserting the key into the power supply and turning clockwise to the ON position and release. Note: Unlocking the system with the key switch starts a 5-minute timer for system operation.



- 3) Activate the remote control by pressing simultaneously and holding both the **EXT** and **RET** buttons for two seconds. Note: Activating the remote starts a 5-minute timer for system operation.



- 4) Operate the System

To retract the solar blanket: press and release the **RETRACT (RET)** button on the remote control. To stop retraction: press and release the **RETRACT (RET)** button again. Note: Retraction will also stop automatically after 60 seconds. It may be necessary to guide the blanket as it coils onto the reel. This can be done by grasping the edge of the solar blanket or using the tether.

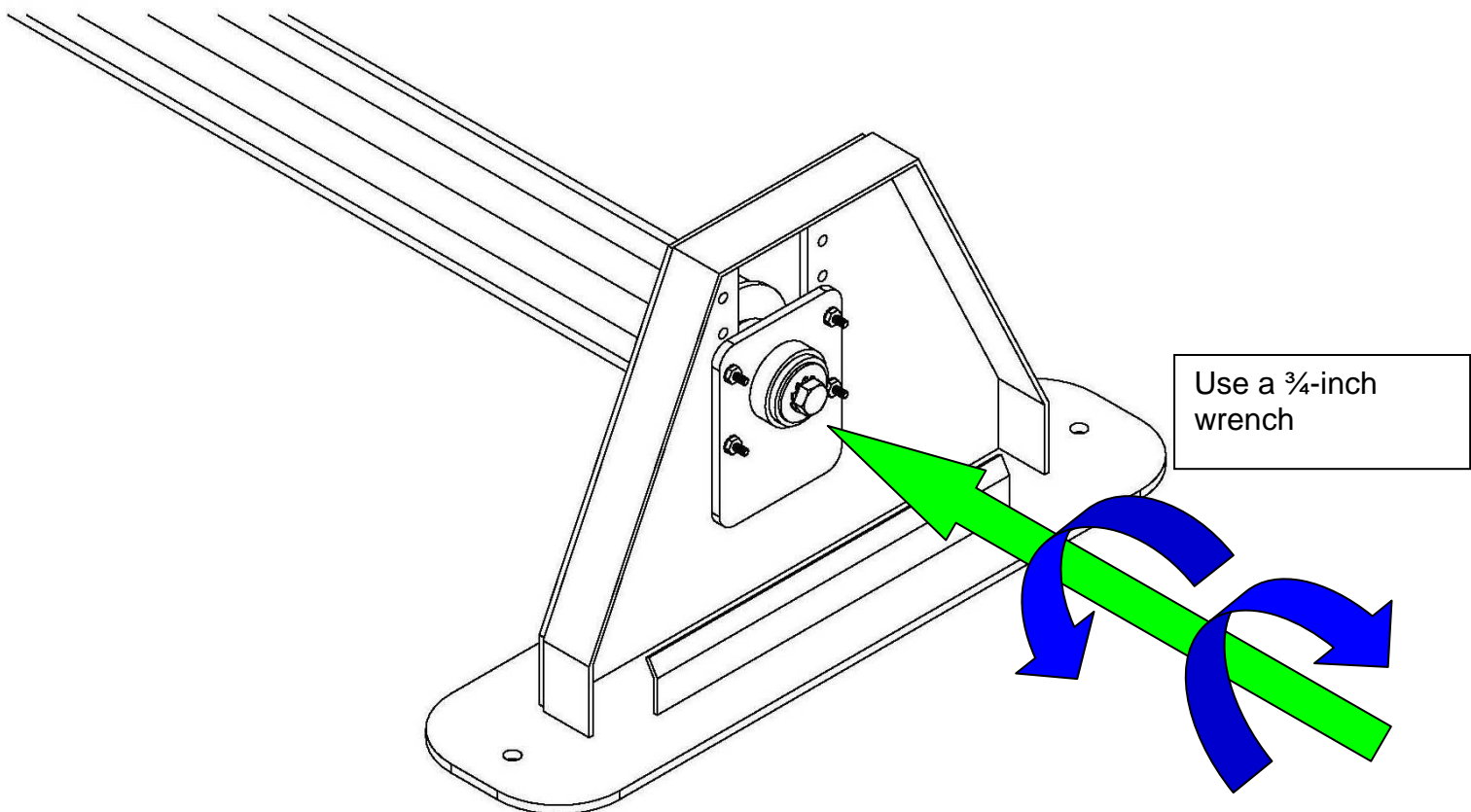
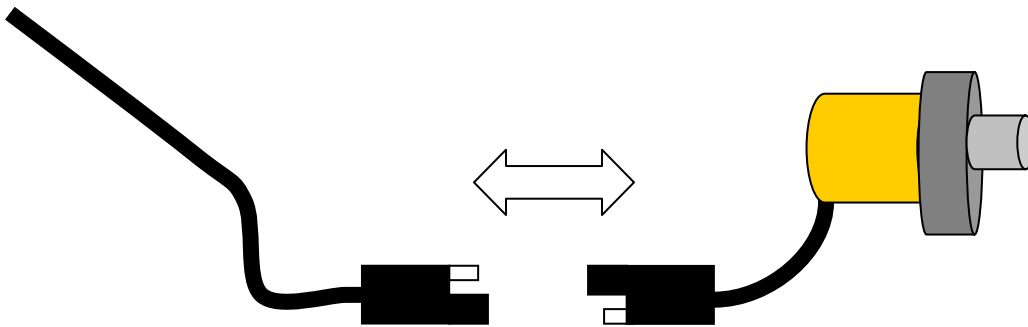
To extend the solar blanket: press and release the **EXTEND (EXT)** button on the remote control. To stop extending the blanket: press and release the **EXTEND (EXT)** button again. Note: Extension will also stop automatically after 60 seconds. It will be necessary to guide the blanket across the pool as it uncoils from the reel. This can be done by grasping the edge of the solar blanket or using the tether.

- 5) Turn the key to the OFF position and remove.  
6) Store the remote control and key in a location that prevents unauthorized use.

## MANUAL OVERRIDE

In the event of a loss of power, a manual override is provided.

- 1) Unplug the power supply from the GFI protected outlet.
- 2) Unplug the motor harness at one of the connections.
- 3) Remove the cover of the idler stand.
- 4) Use a  $\frac{3}{4}$ -inch wrench or socket to turn the reel in the desired direction.



# FCC Statement

© 2009 TouchTronics, Inc. All Rights Reserved. TouchTronics, the TouchTronics logo, and other TouchTronics marks are owned by TouchTronics and may be registered. TouchTronics assumes no responsibility for any errors that may appear in this manual. Information contained herein is subject to change without notice.

**FCC Compliance and Advisory Statement.** This hardware device complies with Part 15 of the FCC Rules. Operation is subject to the following two conditions: 1) this device may not cause harmful interference, and 2) this device must accept any interference received, including interference that may cause undesired operation. This equipment has been tested and found to comply with the limits for a Class B digital device, pursuant to Part 15 of the FCC Rules. These limits are designed to provide reasonable protection against harmful interference in a residential installation. This equipment generates, uses, and can radiate radio frequency energy and, if not installed or used in accordance with the instructions, may cause harmful interference to radio communications. However, there is no guarantee that interference will not occur in a particular installation. If this equipment does cause harmful interference to radio or television reception, which can be determined by turning the equipment off and on, the user is encouraged to try to correct the interference by one or more of the following measures: 1) reorient or relocate the receiving antenna; 2) increase the separation between the equipment and the receiver 3) connect the equipment to an outlet on a circuit different from that to which the receiver is connected; 4) consult the dealer or an experienced radio/TV technician for help. Any changes or modifications not expressly approved by the party responsible for compliance could void the user's authority to operate the equipment. Where shielded interface cables have been provided with the product or specified additional components or accessories elsewhere defined to be used with the installation of the product, they must be used in order to ensure compliance with FCC regulations.

**Canadian DOC Statement.** This digital device does not exceed the Class B limits for radio noise emissions from digital apparatus specified in the interference-causing equipment standard entitled "Digital Apparatus," ICES-003 of the Department of Communications.

This device complies with RSS-210 of Industry Canada. Operation is subject to the following two conditions: 1) this device may not cause interference, and 2) this device must accept any interference, including interference that may cause undesired operation of the device.

© 2009 TouchTronics, Inc. Tous droits réservés. TouchTronics, le logo TouchTronics et les autres marques TouchTronics sont la propriété exclusive de TouchTronics et sont susceptibles d'être des marques déposées. Toutes les autres marques sont la propriété exclusive de leurs détenteurs respectifs. TouchTronics décline toute responsabilité en cas d'erreurs dans ce manuel. Les informations énoncées dans le présent document peuvent faire l'objet de modifications sans avis préalable.

**Déclaration FCC.** Cet équipement a été testé et déclaré conforme à la section 15 du règlement de la FCC. Son fonctionnement est soumis aux conditions suivantes: 1) l'équipement concerné ne doit pas causer d'interférences dangereuses, et 2) il doit accepter toute interférence reçue, y compris les interférences risquant d'engendrer un fonctionnement indésirable. Cet équipement a été testé et déclaré conforme aux limitations prévues dans le cadre de la catégorie B des appareils numériques défini par la section 15 du règlement de la FCC. Ces limitations sont stipulées aux fins de garantir une protection raisonnable contre les interférences gênantes en installation résidentielle. Cet équipement génère, utilise et diffuse des ondes radio, et s'il n'est pas installé ni utilisé en conformité avec les instructions dont il fait l'objet, peut causer des interférences gênantes avec les communications radio. Cependant, nous ne pouvons vous garantir qu'une interférence ne se produira pas dans une installation particulière. Si cet équipement produit des interférences graves lors de réceptions radio ou télévisées qui peuvent être détectées en allumant et en éteignant l'équipement, vous êtes invités à les supprimer de plusieurs manières: 1) Réorienter ou déplacer l'antenne de réception; 2) Augmenter la distance séparant l'équipement et le récepteur 3) Connecter l'équipement à un circuit différent de celui auquel le récepteur est connecté; 4) Contacter votre revendeur ou un technicien radio/TV qualifié. Toutes modifications ou tous changements effectués sans l'accord exprès de la partie responsable de la conformité aux normes pourraient contraindre l'utilisateur à ne plus utiliser son équipement. Afin d'assurer la conformité avec les règlements FCC, les câbles d'interface blindés fournis avec le produit doivent être utilisés, ainsi que tout autres composants ou accessoires également spécifiés, lors de l'installation du produit.

**Déclaration du Ministère des Communications Canadien.** Cet appareil numérique est conforme aux limitations concernant l'émission d'interférences radio par des appareils numériques de catégorie B, telles que stipulées dans le cadre de la norme Appareils numériques ICES-003 édictée par le Ministère canadien de l'industrie.

Cet équipement a été déclaré conforme à la norme RSS-210 édictée par le Ministère canadien de l'industrie. Son fonctionnement est soumis aux conditions suivantes: 1) l'équipement concerné ne doit pas causer d'interférences, et 2) il doit accepter toute interférence reçue, y compris les interférences risquant d'engendrer un fonctionnement indésirable.

# WARRANTY

## DAYS CORPORATION LIMITED WARRANTY, REPLACEMENT PARTS & RETURNS POLICY POOL BOY®

**POOL BOY® LIMITED WARRANTY.** Days Corporation (“Days”) warrants to the original purchaser of POOL BOY® system components (the “Products”), for a period of one (1) year from the original sale date or date of dealer installation, whichever is earlier (“Limited Warranty Period”), that the Products shall be free from defects in material and workmanship. Days’ sole obligation under this warranty is, at its election, to repair, replace or make appropriate adjustments concerning the Products where Days’ inspection discloses any such defects in the Products occurring in normal usage within the limited warranty period. Only warranty claims with prior authorization from Days will be recognized; all other claims are invalid and will be denied. This warranty does not apply to abuse, misuse, neglect, negligence, error of operations or to purposeful or accidental damage or damage due to “act of God” such as wind or rain damage, flood, lightning or other natural or similar occurrences. Days, at its sole discretion, will either prepay or reimburse freight expenses on any valid claim made, pursuant to this warranty, at the UPS Ground rate for a period of one (1) year from the original sale date of the Product. This warranty does not cover any additional charges, including expedited shipping charges, border fees, brokerage fees, travel expenses, hotel, telephone, fuel or similar expenses. The POOL BOY® limited warranty coverage applies only to the Products and no other apparatus or property to which the Products are affixed or attached. The POOL BOY® limited warranty is not transferable. THE FOREGOING WARRANTY IS IN LIEU OF AND EXCLUDES ALL OTHER WARRANTIES NOT EXPRESSLY SET FORTH HEREIN, WHETHER EXPRESS OR IMPLIED BY OPERATION OF LAW OR OTHERWISE, AND DAYS EXPRESSLY EXCLUDES ANY IMPLIED WARRANTIES, INCLUDING ANY IMPLIED WARRANTY OF MERCHANTABILITY OR FITNESS FOR PURPOSE OR USE. Days is not responsible for removal or installation costs. UNDER NO CIRCUMSTANCES SHALL DAYS’ LIABILITY FOR ANY DEFECT IN THE PRODUCTS, WHETHER BASED ON CONTRACT, TORT, WARRANTY, STRICT LIABILITY, OR ANY OTHER THEORY, EXCEED THE PURCHASE PRICE OF THE DEFECTIVE PRODUCTS, AND DAYS SHALL HAVE NO LIABILITY FOR CONSEQUENTIAL, SPECIAL, INCIDENTAL, INDIRECT, EXEMPLARY OR PUNITIVE DAMAGES OF ANY KIND WHATSOEVER. This limited warranty provides the limited purchaser of the Products with specific legal rights. The original purchaser of the Products may also have other rights that vary from state to state.

**APPLICABILITY OF LIMITED WARRANTY TO REPLACEMENT PARTS.** The terms and conditions of the POOL BOY® Limited Warranty shall apply to any replacement parts provided to the original purchaser by Days in connection with any warranty claim. Any replacement part is warranted for the balance of the Limited Warranty Period or ninety (90) days from the date of shipment of the replacement part, whichever is longer. No markup will be paid by Days for warranty parts.

**RETURNS POLICY.** This returns policy applies to all Products returned to Days from the original purchaser during the Limited Warranty Period. Prior authorization is required before any Product may be returned to Days. A Return Authorization Number is required for Days’ acceptance of returned Products. Warranty claims submitted without proof of the original purchase date and the warranty repair date are not covered by this Warranty and will be denied. Parts and freight credit (if applicable) will be sent after Days tests the Product and validates the warranty claim. Any claim submitted to Days more than thirty (30) days from the repair date will be denied.

Please direct all questions concerning the POOL BOY® Limited Warranty to:

**Days Corporation**  
Warranty Claims  
P.O. Box 668  
Elkhart, IN 46515  
Telephone: 1 (866) 778-7665  
Facsimile: 1 (574) 266-6083

ELDS01 JDUTHIE 235360v2

Distributor:

SOLAR DIRECT  
5919 21st Street East  
Bradenton, FL 34203  
941-360-9276  
SolarDirect.com  
sales@solardirect.com